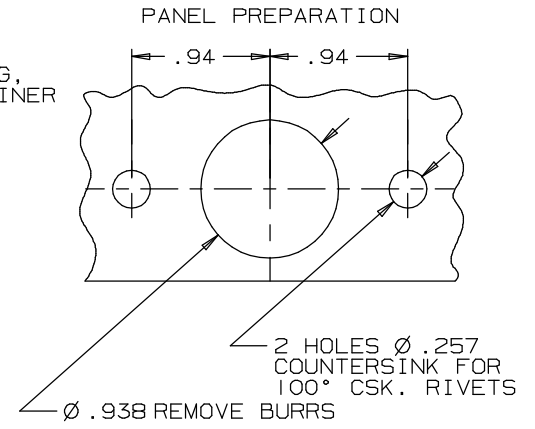
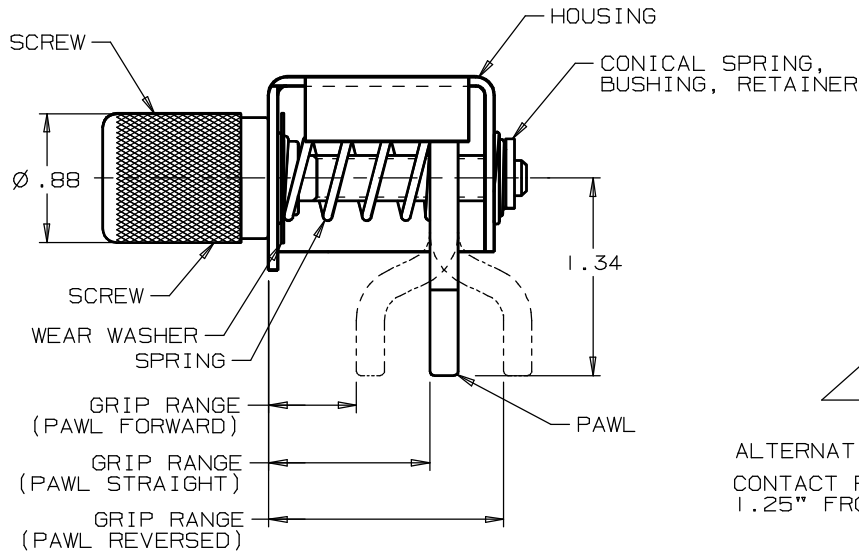
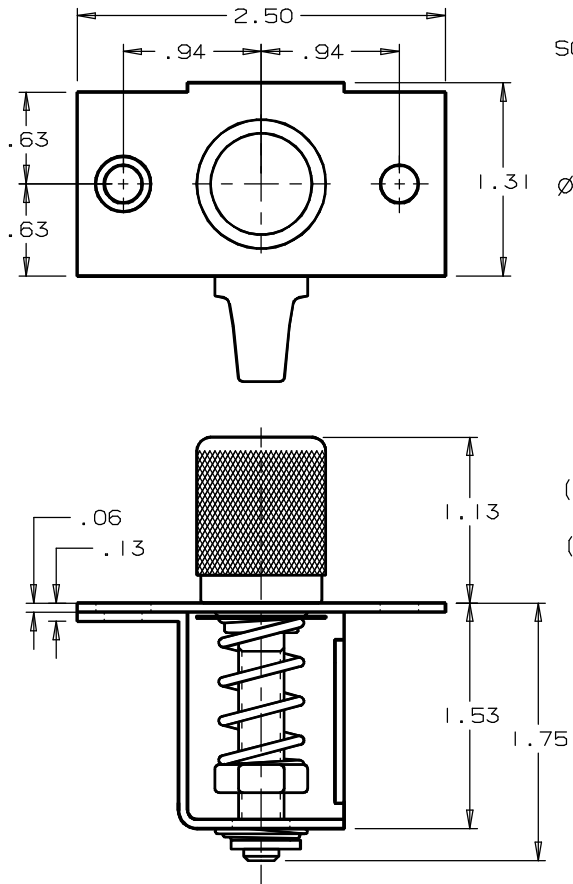




# ADJUSTABLE PAWL FASTENER - KNURLED HEAD (TYPE A)

DATE	DRAWN	CHKD	SCALE	DRAWING NUMBER
8-7-58	ASK		.8:1	J-14-10-1-1



ALTERNATIVE MOUNTING METHOD - SPOT WELD  
CONTACT POINT OF PAWL NOT TO EXCEED  
1.25" FROM CENTERLINE OF SCREW

NOTE A: ZINC PLATE, CHROMATE PLUS SEALER.

ITEM	MATERIAL	FINISH		
ASSEMBLY	-----	-----		
SCREW	STEEL	SEE CHART		
PAWL	STEEL	SEE NOTE A		
HOUSING	STEEL	SEE NOTE A		
SPRING	STAINLESS STEEL	PASSIVATE		
BUSHING	STEEL	SEE NOTE A		
CONICAL SPRING	STAINLESS STEEL	PASSIVATE		
RETAINER	STEEL	SEE NOTE A		
WEAR WASHER	STEEL	SEE NOTE A		
ASSEMBLY	SCREW FINISH	PAWL POSITION	GRIP RANGE	
14-10-11-11	SEE NOTE A	FORWARD	.125 .750	
14-10-11-12	CHROME PLATE	FORWARD	.125 .750	
14-10-12-11	SEE NOTE A	-----	.375 1.250	
14-10-12-12	CHROME PLATE	-----	.375 1.250	
14-10-13-11	SEE NOTE A	-----	.375 1.250	
14-10-13-12	CHROME PLATE	-----	.375 1.250	
14-10-14-11	SEE NOTE A	REVERSED	.875 1.688	
14-10-14-12	CHROME PLATE	REVERSED	.875 1.688	

THESE ASSEMBLIES ARE NON-REPAIRABLE ITEMS  
AND COMPONENTS ARE NOT AVAILABLE AS  
REPLACEMENT OR REPAIR PARTS.

REV.	DATE	BY-CHKD	REVISIONS
U	20MAR96	PCB	PRN: 14-88
V	24JUN96	RJB	PRN: 14-88B
W	0BNOV96	JGK	PRN: S-1-06A

PROPRIETARY ITEM - EXCEPT FOR USES EXPRESSLY GRANTED IN WRITING  
INFORMATION DISCLOSED HEREON IS CONFIDENTIAL AND ALL RIGHTS PATENT  
AND OTHERWISE ARE RESERVED BY SOUTHCO, INC.

DIMENSIONS IN INCHES  
THIRD ANGLE PROJECTION

DRAWING NUMBER  
J-14-10-1-1