

# southco

PROPRIETARY ITEM - EXCEPT FOR USES EXPRESSLY GRANTED IN WRITING INFORMATION DISCLOSED HEREON IS CONFIDENTIAL AND ALL RIGHTS, PATENT AND OTHERWISE ARE RESERVED BY SOUTHCO, INC.

## No. 16 400-SERIES ADJUSTABLE PAWL FASTENER ASSEMBLY

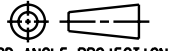
DATE	DRAWN	CHKD	SCALE	DRAWING NUMBER
10-17-74	RHB		1.5:1	J-16-10-411-14

REV	DATE	DRAWN/CHKD	DESCRIPTION
J	08FEB2006	RLR/MJS	PRN: P2006-0202
K	15FEB2007	RLR/JSS	PRN: P2007-0261

ITEM	PART NUMBER	No. REQUIRED
ASSEMBLY	16-10-411-14	X
ASSEMBLY	16-10-412-14	X
ASSEMBLY	16-10-413-14	X
LOCKWASHER	48-0-2345-03	1 1 1
SCREW	16-11-412-15	1 1 1
PAWL INDICATOR	16-13-402-31	1 1 1
HOUSING	16-14-401-31	1 1 1
SPRING	16-18-401-24	1 1 1
BUSHING	16-21-402-15	1 1 1
CONICAL SPRING	43-13-1-24	1 1 1
KNOB	16-23-401-41	1 1 1
MOUNTING NUT	48-13-103-11	1 1 1
RETAINER	43-9-1-16	1 1 1
STRAIGHT PAWL	16-16-404-32	- 1 -
CURVED PAWL	16-16-403-32	1 - 1

**INCHES**

ALL DIMENSIONS WITHOUT TOLERANCES ARE FOR REFERENCE ONLY.



THIRD ANGLE PROJECTION

A PAPER SIZE

NOTES:

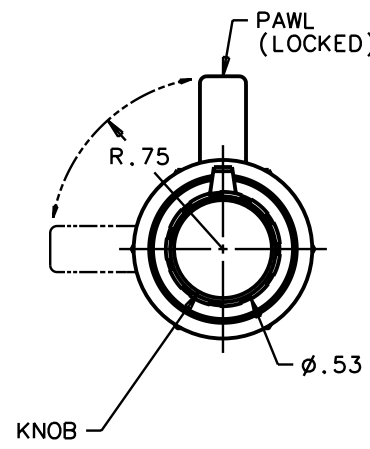
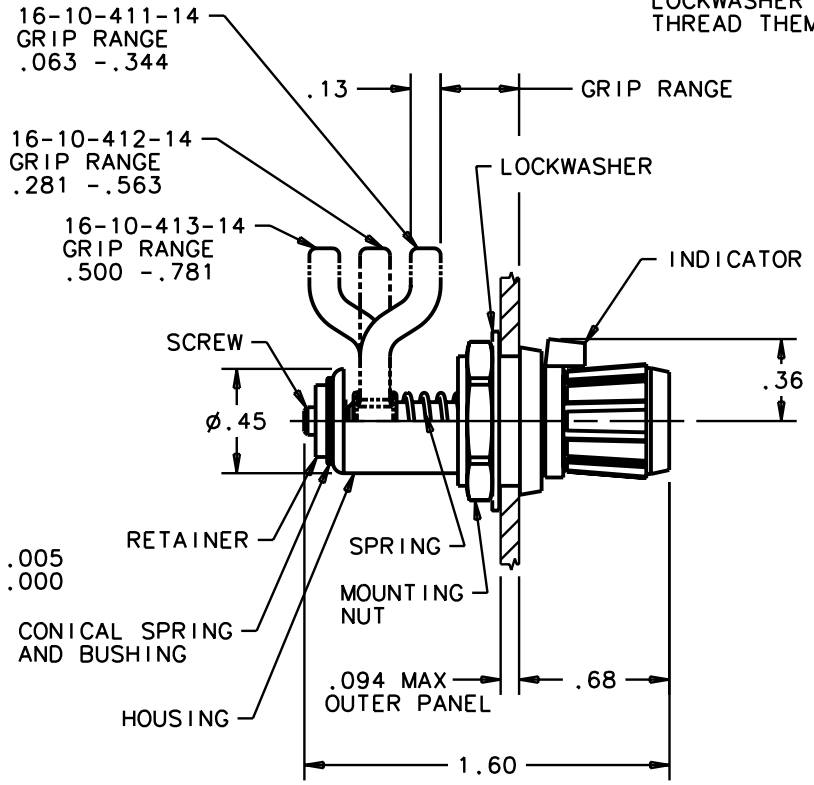
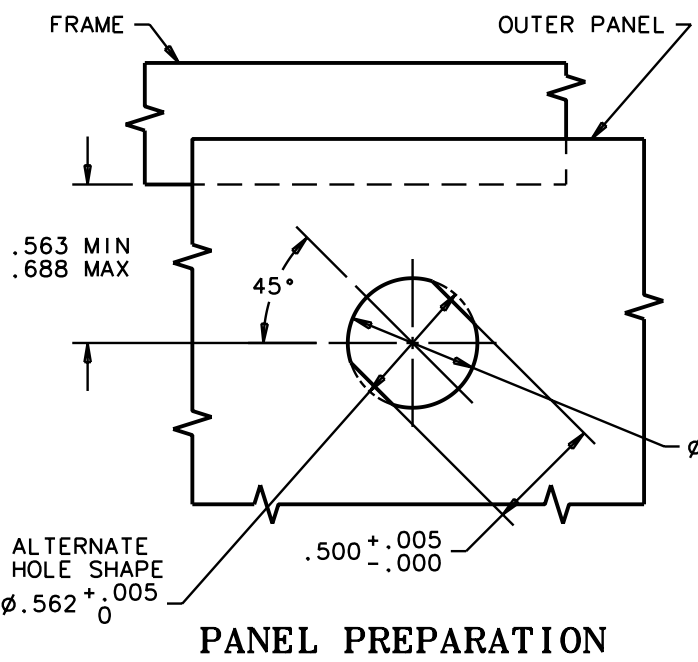
A. MATERIAL AND FINISH:

SCREW - STEEL, ZINC PLATE, BLACK CHROMATE  
 PAWL INDICATOR - DIE CAST ZINC, BRIGHT CHROME PLATE  
 HOUSING - DIE CAST ZINC, BRIGHT CHROME PLATE  
 CONICAL SPRING - STAINLESS STEEL, PASSIVATED  
 MOUNTING NUT - STEEL, ZINC PLATE, BRIGHT CHROMATE  
 LOCKWASHER - STEEL, ZINC PLATE, BRIGHT CHROMATE  
 BUSHING - STEEL, ZINC PLATE, BRIGHT CHROMATE  
 SPRING - STAINLESS STEEL, PASSIVATED  
 KNOB - NYLON, BLACK  
 RETAINER - STEEL, ZINC PLATE, BRIGHT CHROMATE  
 PAWLS - DIE CAST ZINC, CHEMICAL PROTECTIVE SEALER

NOTES:

A. ASSEMBLY INSTRUCTIONS:

1. REMOVE NUT AND LOCKWASHER FROM FASTENER ASSEMBLY.
2. PLACE FASTENER (PROPERLY ORIENTED) THROUGH MOUNTING HOLE AND SWING THE NUT AND LOCKWASHER OVER THE PAWL AND HOUSING AND THREAD THEM ONTO THE HOUSING AND TIGHTEN.



**PANEL PREPARATION**