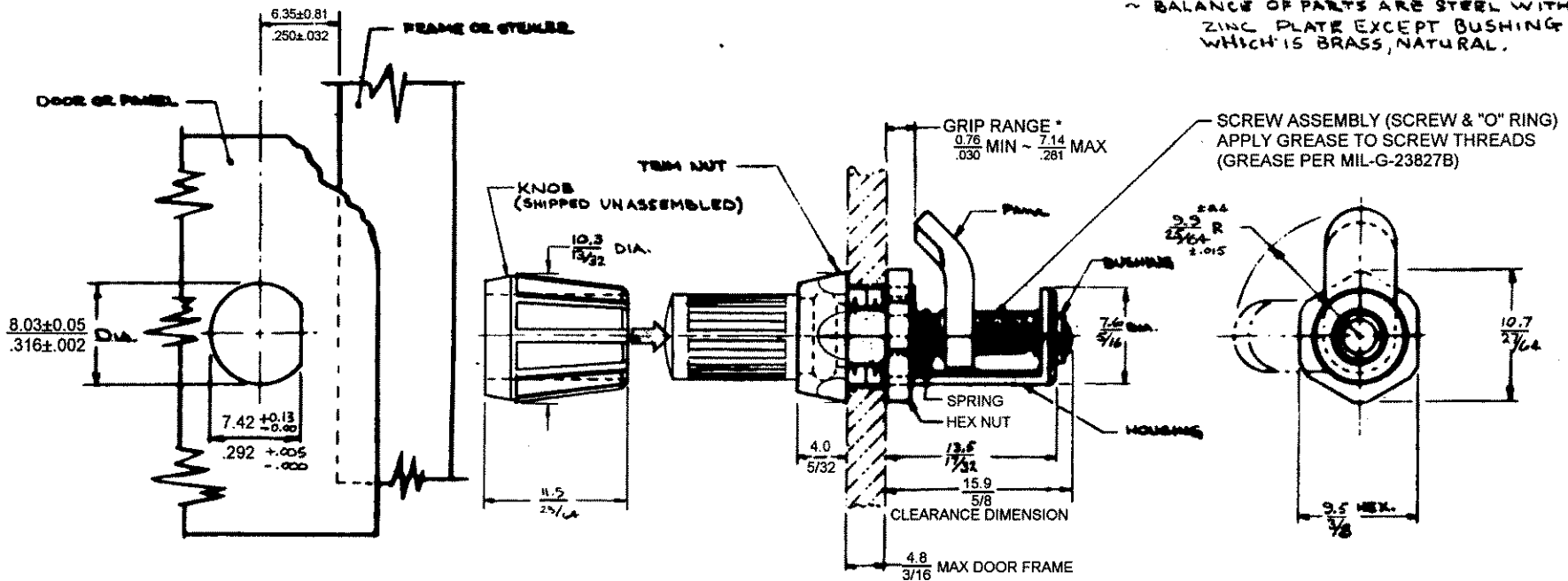


REV. LET.	DATE	BY-CHKD	REVISION	ITEM	PART No.	MATERIAL	FINISH	REA.	REVISION
A	11-5-80	RJB	PRN 27-24	ASSEMBLY	27-10-311-30			A	
B	3-22-82	JGK	PRN 5-1-01	FASTENER ASSY	27-99-123-30	See Note "A"	See Note "A"	B	
C	2-3-88	JSS	PRN: 27-37 (TRM. NUT)	KNOB	27-71-101-41	THERMO PLASTIC	BLACK	C	
D	3-1-89	VM	PRN: 27-43					D	8-2-15
E	4-11-89	DWF	PRN: 27-46						
F	18 JAN 93	JSK	PRN: 14-75						
G	5 MAR 93	JTB	PRN: 5-1-03						

THESE ASSEMBLIES ARE NON-REPAIRABLE ITEMS AND COMPONENTS ARE NOT AVAILABLE AS REPLACEMENT OR REPAIR PARTS.

\* OUTER PANEL THICKNESS PERMITTING, MAX. GRIP MAY BE EXTENDED WHERE NECESSARY BY ADJUSTING HEX NUT TOWARD SCREW HEAD.

**NOTE "A" - MATERIAL AND FINISH.**  
 ~ O-RING IS SYNTHETIC RUBBER, NATURAL  
 ~ SCREW AND TRIM NUT ARE STEEL WITH CHROME PLATE  
 ~ SPRING AND HEX NUT ARE STAINLESS STEEL, PASSIVATED  
 ~ BALANCE OF PARTS ARE STEEL WITH ZINC PLATE EXCEPT BUSHING WHICH IS BRASS, NATURAL.



**Mounting Instructions**

PUNCH SHAPED HOLE IN PANEL, LOCATED AS SHOWN. INSERT FASTENER FROM BACK SIDE OF PANEL, MAKING SURE HEX NUT IS AT BACK EDGE OF HOUSING CUTOUT. SLIP TRIM NUT OVER SCREW AND RUN DOWN FINGER TIGHT AGAINST PANEL. WITH PAWL IN LOCKED POSITION AND HOUSING PROPERLY ORIENTED, HOLD HOUSING IN POSITION AND TIGHTEN HEX NUT HARD AGAINST PANEL WITH 3/8 OPEN-END WRENCH THEN PUSH KNOB ONTO KNURLED HEAD OF SCREW.