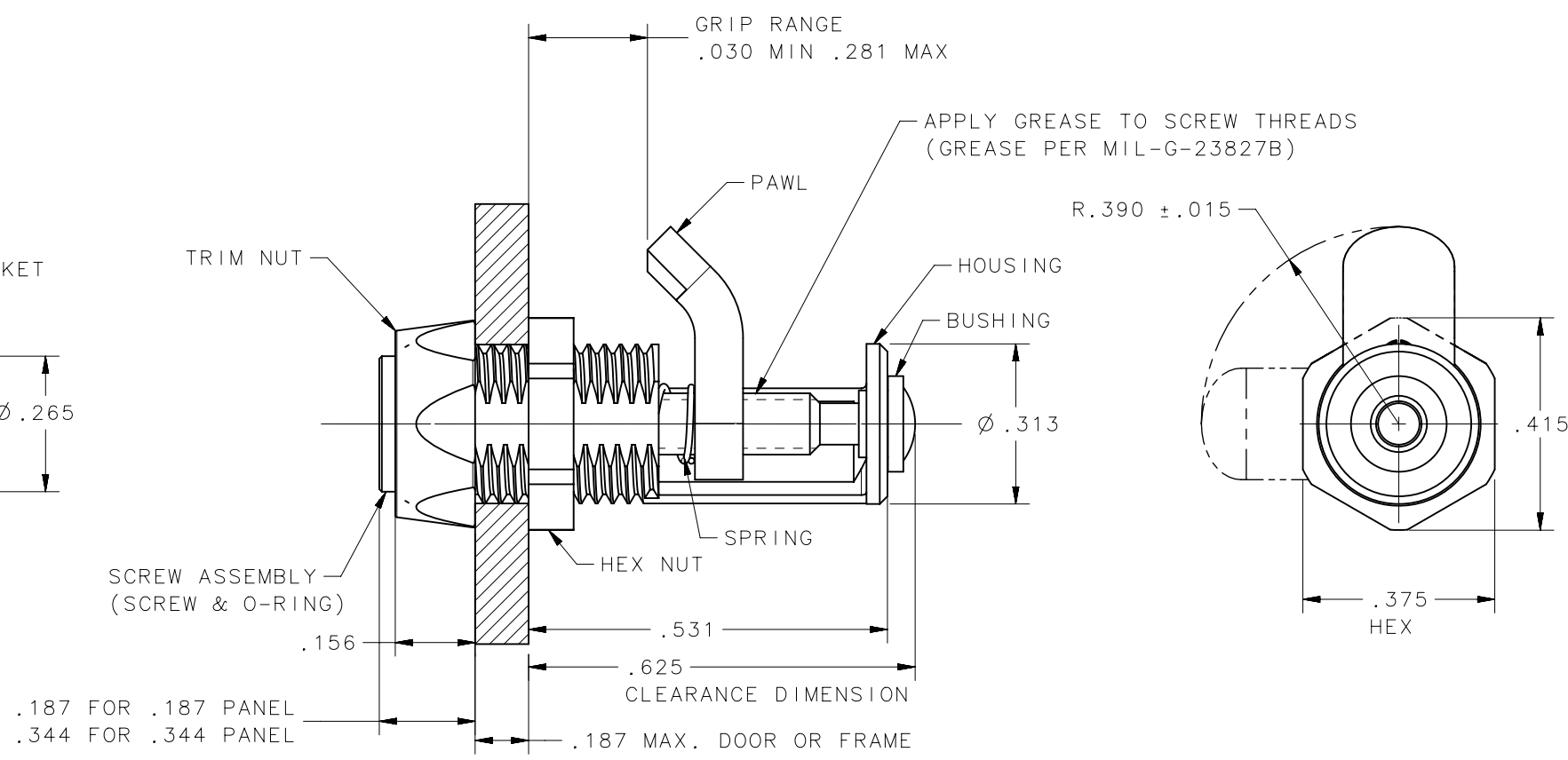
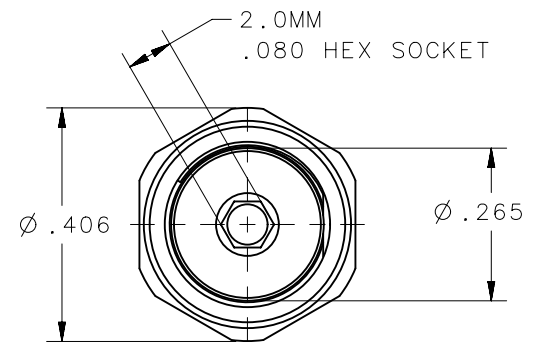
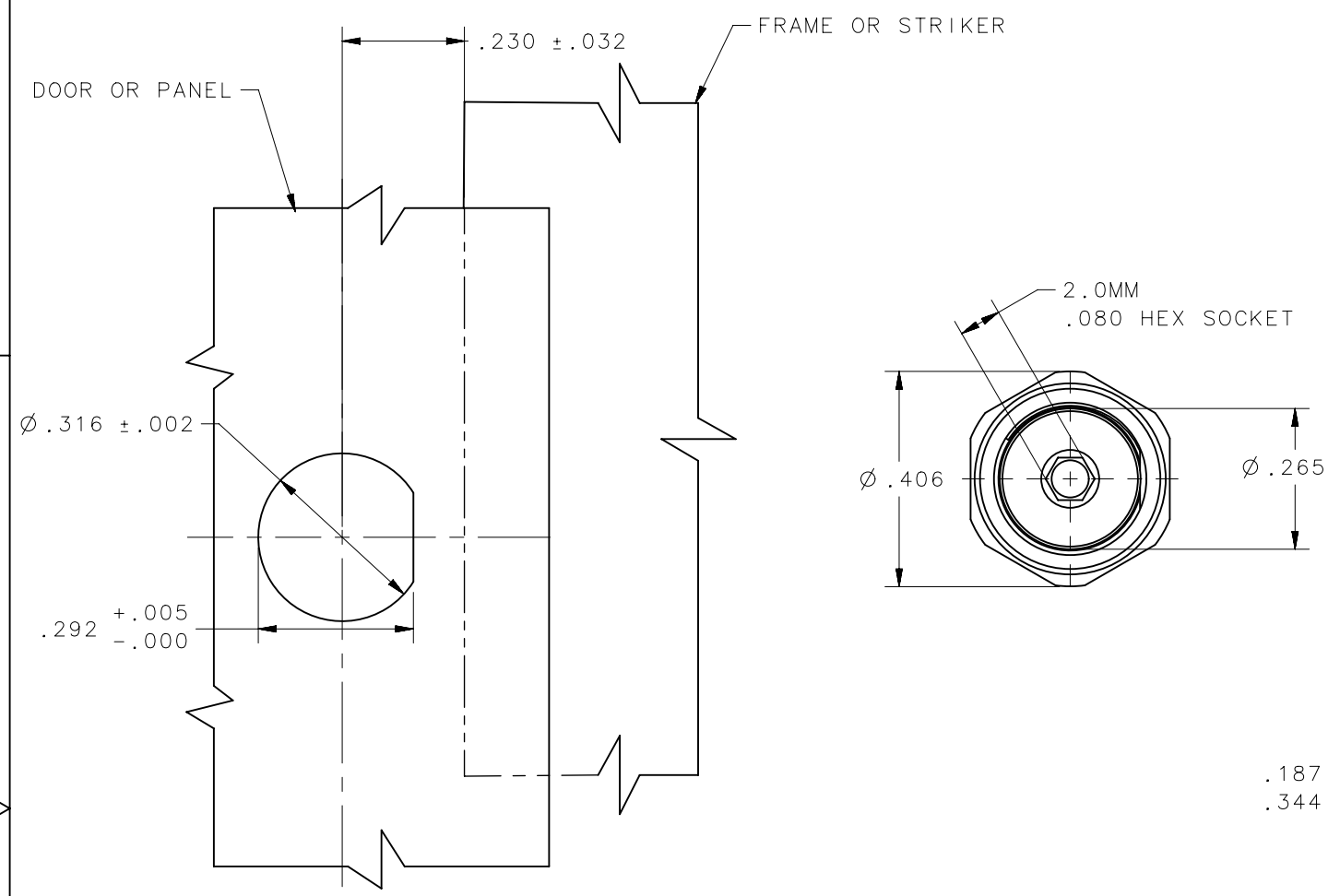


REVISION HISTORY			
REV	DATE	BY	DESCRIPTION
H	04DEC2017	CBI/DMS	PRN: P2018-0043



NOTES:

1. SCREW - STAINLESS STEEL - PASSIVATE
O-RING - SYNTHETIC RUBBER - NATURAL
2. MOUNTING INSTRUCTIONS:
PUNCH SHAPED HOLE IN PANEL, LOCATED AS SHOWN. INSERT FASTENER FROM BACK SIDE OF PANEL, MAKING SURE HEX NUT IS AT BACK EDGE OF HOUSING CUTOUT. SLIP TRIM NUT OVER SCREW AND RUN DOWN FINGER TIGHT AGAINST PANEL WITH PAWL IN LOCKED POSITION AND HOUSING PROPERLY ORIENTED. HOLD HOUSING IN POSITION AND TIGHTEN HEX NUT HARD AGAINST PANEL WITH 3/8 OPEN-END WRENCH.
3. THESE ASSEMBLIES ARE NON-REPAIRABLE ITEMS AND COMPONENTS ARE NOT AVAILABLE AS REPLACEMENT OR REPAIR PARTS.
4. OUTER PANEL THICKNESS PERMITTING MAX. GRIP MAY BE EXTENDED WHERE NECESSARY BY ADJUSTING HEX NUT TOWARDS SCREW HEAD.

No.	SOUTHCO PART NUMBER	QTY.	TYPE OF COMPONENT	MATERIAL	FINISH
7	-	1	BUSHING	BRASS	NATURAL
6	-	1	HEX NUT	STAINLESS STEEL	PASSIVATE
5	-	1	TRIM NUT	STAINLESS STEEL	PASSIVATE
4	-	1	SPRING	STAINLESS STEEL	PASSIVATE
3	-	1	PAWL	STAINLESS STEEL	PASSIVATE
2	-	1	HOUSING	STAINLESS STEEL	PASSIVATE
1	-	1	SCREW ASSEMBLY	SEE NOTE 1	SEE NOTE 1
-	27-10-701-20	-	ASSEMBLY	-	-

THIRD ANGLE PROJECTION					
INCHES [MM]					
SURFACE AREA		TOLERANCES UNLESS OTHERWISE NOTED		DESCRIPTION SOUTHCO No.27, ADJUSTABLE PAWL, FASTENER ASSEMBLY, LOW PROFILE, SOCKET HEAD, TYPE A	
VOLUME		ALL DIMENSIONS WITHOUT TOLERANCE ARE FOR REFERENCE ONLY			
PROPRIETARY ITEM		SIZE	SYSTEM	DWG NO.	
EXCEPT FOR USES EXPRESSLY GRANTED IN WRITING, INFORMATION DISCLOSED HEREON IS CONFIDENTIAL AND ALL RIGHTS, PATENT AND OTHERWISE, ARE RESERVED BY SOUTHCO, INC.		B	NX	J-27-10-701-20	
PER ASME Y14.5M-1994		DRAWN BY	DATE	SCALE	SHEET
		HAR	12OCT1981	3:1	1 OF 1