



SOUTHCO DRIVE RIVETS - ALUMINUM  
5/32 DIAMETER - UNIVERSAL HEAD

DATE	DRAWN	CHKD	SCALE	DRAWING NUMBER
2-3-58	ESK	ASK	3 : 1	J-38-105-13

REV.	DATE	BY-CHKD	REVISIONS
J	27SEP94	DAZ	PRN: 38-197 (SEE REC. DWG.)
K	19NOV03	LTS/RLR	PRN: 2003-1046
L	26JAN2021	CMS/CTG	PRN: P2021-0176

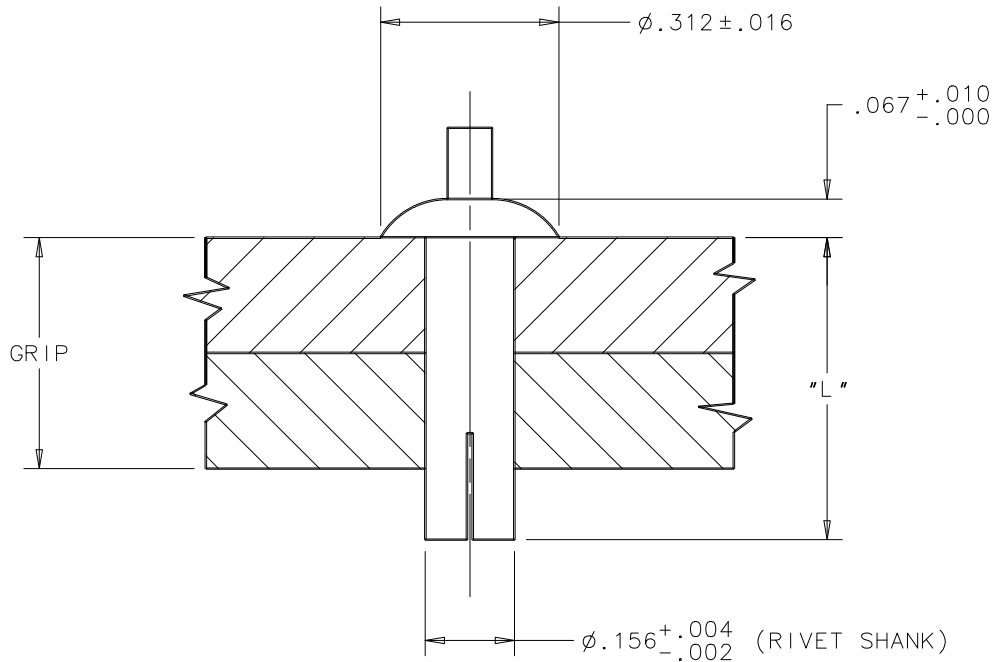
MATERIAL AND FINISH

RIVET: ALUMINUM,  
NATURAL

PIN: 302 STAINLESS STEEL,  
NATURAL

PART No.	"L"	GRIP RANGE		
		MIN.	NOM.	MAX.
38-105-01-13	.188	.016	.031	.047
02-13	.188	.047	.063	.078
03-13	.219	.078	.094	.109
04-13	.250	.109	.125	.141
05-13	.281	.141	.156	.172
06-13	.313	.172	.188	.203
07-13	.344	.203	.219	.234
08-13	.375	.234	.250	.266
09-13	.406	.266	.281	.297
10-13	.438	.297	.313	.328
11-13	.469	.328	.344	.359
12-13	.500	.359	.375	.391
13-13	.531	.391	.406	.422
14-13	.563	.422	.438	.453
15-13	.594	.453	.469	.484
16-13	.625	.484	.500	.516
17-13	.656	.516	.531	.547
18-13	.688	.547	.563	.578
19-13	.719	.578	.594	.609
38-105-20-13	.750	.609	.625	.641

NOTES:  
A. REFER TO SOUTHCO DRAWING No. J-38-2 FOR  
SUGGESTED INSTALLATION HOLE SIZE.



FORMAT A 1/88

PROPRIETARY ITEM - EXCEPT FOR USES EXPRESSLY GRANTED IN WRITING  
INFORMATION DISCLOSED HEREON IS CONFIDENTIAL AND ALL RIGHTS PATENT  
AND OTHERWISE ARE RESERVED BY SOUTHCO, INC.

ALL DIMENSIONS ARE IN INCHES.  
ALL DIMENSIONS WITHOUT TOLERANCES ARE REFERENCE.  
THIRD ANGLE PROJECTION DRAWING.

DRAWING NUMBER

J-38-105-13