

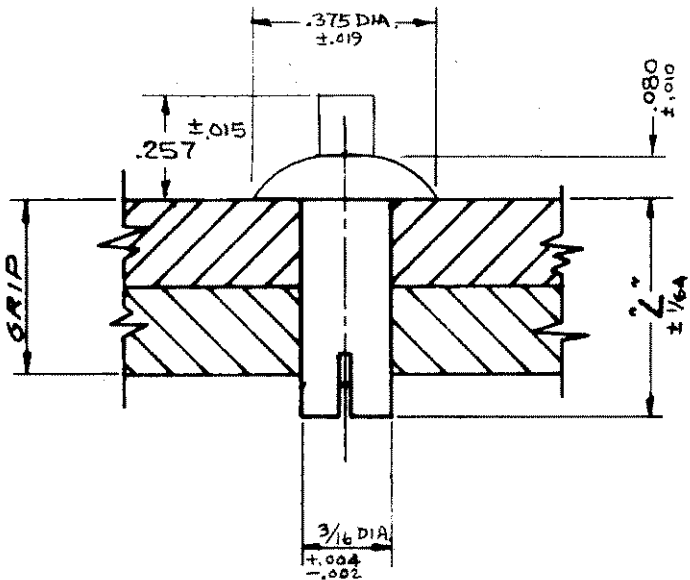


SOUTHCO NO 38 DRIVE RIVETS
 3/16 DIA - UNIVERSAL HEAD - ALUMINUM

DATE	DRAWN	CHKD	SCALE	DRAWING NUMBER
10/15/86	JGK		N.T.S.	J-38-106-10A

REV. LET.	DATE	BY	CHKD.	REVISIONS
A	9-10-91	JNV		PRN 38-103
B	12-9-92	BTW		ADDED PIN HEIGHT ABOVE HEAD $\pm .156 \pm .020$
C	3-2-93	JGK		PRN: 38-108; DELETED PIN HT. ABOVE HD. (.156 \pm .020) ADDED. BU HT. FROM UNDER HD.
D	13MAR96	AJH		PRN: 10-21

R.S.	DATE	APP.
A		
B		
C		
D		



INSTALLATION HOLE DIA. - .191

PROPRIETARY ITEM
 EXCEPT FOR USES EXPRESSLY GRANTED
 IN WRITING, INFORMATION DISCLOSED
 HEREON IS CONFIDENTIAL AND ALL
 RIGHTS, PATENT AND OTHERWISE, ARE
 RESERVED BY SOUTHCO, INC.

RIVET MATERIAL & FINISH				2117 ALUMINUM - NATURAL	
PIN MATERIAL & FINISH				5556 ALUMINUM NATURAL	7075 ALUMINUM NATURAL
NOMINAL GRIP	ACTUAL GRIP		"L"	ASSEMBLED RIVET PART NO	ASSEMBLED RIVET PART NO
	MIN.	MAX.			
1/16	.047	.140	1/4	38-106-02-16	
1/8	.078	.171	9/32	04	
3/16	.140	.234	11/32	06	
1/4	.203	.296	13/32	08	
5/16	.265	.359	15/32	10	
3/8	.328	.421	17/32	12	
7/16	.390	.484	19/32	14	
1/2	.453	.546	21/32	16	
9/16	.515	.609	23/32	18	
5/8	.578	.671	25/32	20	
11/16	.640	.734	27/32	22	
3/4	.703	.796	29/32	24	
13/16	.765	.859	31/32	26	
7/8	.828	.921	1 1/32	28	
15/16	.890	.984	1 3/32	38-106-30-16	
1	.953	1.046	1 5/32	38-106-32-16	

DRAWING NUMBER
J-38-106-10A