



SOUTHCO No. 38 DRIVE RIVETS - ALUMINUM  
1/4 DIA. FULL BRAZIER HEAD

DATE	DRAWN	CHKD	SCALE	DRAWING NUMBER
5-31-90	JSS		N.T.S.	J-38-208-16

REV. LET.	DATE	BY	CHKD.	REVISIONS
A	27MAR96	AJH		PRN: 10-21
B	20NOV97	PJK	KCW	PRN: 38-249

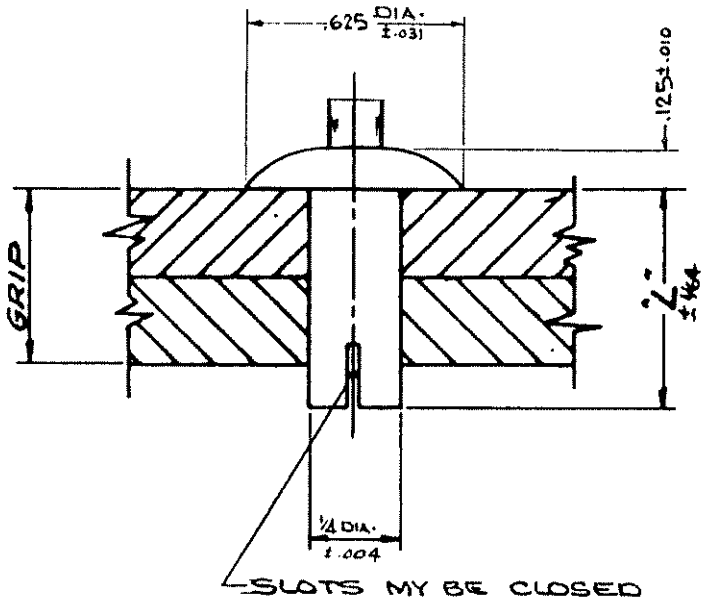
RIVET MATERIAL & FINISH 2117 ALUMINUM-NATURAL

PIN MATERIAL & FINISH 7075 ALUMINUM NATURAL

NOMINAL GRIP	ACTUAL GRIP		"L"	ASSEMBLED RIVET PART NO
	MIN.	MAX.		

RS.	DATE	APP.
A		
B		
C		
D		

1/16	.047	.140	1/4	38-208-02-16
1/8	.078	.171	9/32	04
3/16	.140	.234	11/32	06
1/4	.203	.296	13/32	08
5/16	.265	.359	15/32	10
3/8	.328	.421	17/32	12
7/16	.390	.484	19/32	14
1/2	.453	.546	21/32	16
9/16	.515	.609	23/32	18
5/8	.578	.671	25/32	20
11/16	.640	.734	27/32	22
3/4	.703	.796	29/32	24
13/16	.765	.859	31/32	26
7/8	.828	.921	1 1/32	28
15/16	.890	.984	1 3/32	30
1 1/8	.953	1.046	1 5/32	32
1 1/16	1.015	1.109	1 7/32	34
1 1/8	1.078	1.171	1 9/32	36
1 3/16	1.140	1.234	1 11/32	38
1 1/4	1.234	1.265	1 3/8	40
1 9/32	1.265	1.296	1 13/32	41
1 5/16	1.296	1.328	1 7/16	42
1 11/32	1.328	1.359	1 15/32	
				38-208-43-16



PROPRIETARY ITEM - EXCEPT FOR USES EXPRESSLY GRANTED IN WRITING, INFORMATION DISCLOSED HEREON IS CONFIDENTIAL AND ALL RIGHTS, PATENT AND OTHERWISE, ARE RESERVED BY SOUTHCO, INC.

DRAWING NUMBER
J-38-208-16