



SOUTHCO ADJUSTABLE PAWL FASTENER - No.43
KNURLED HEAD ASSEMBLIES SLOTTED ~ TYPE A

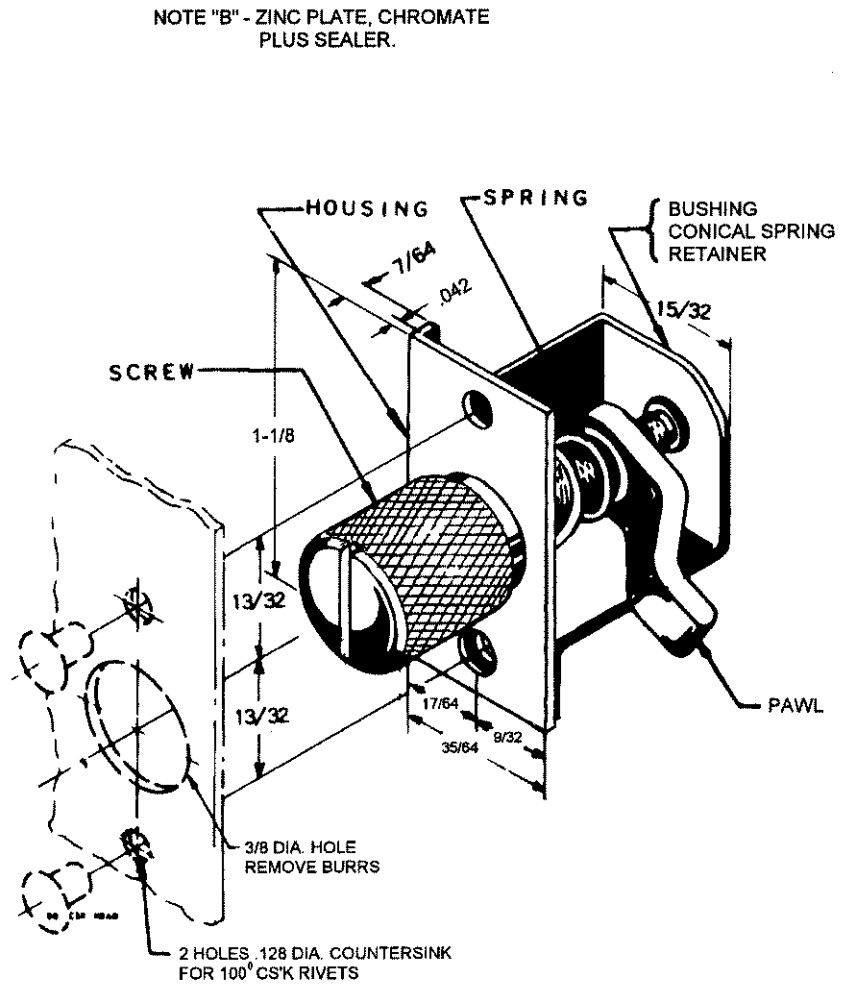
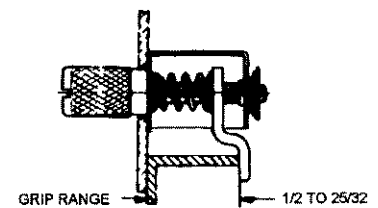
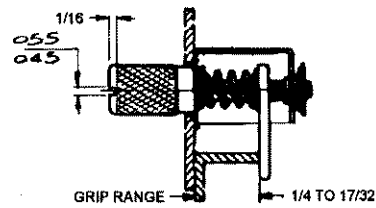
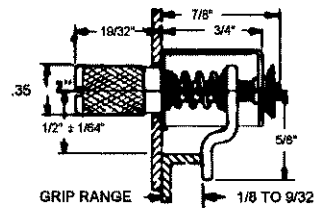
DATE	DRAWN	CHKD	SCALE	DRAWING NUMBER
8-26-58	E.S.K.	ASK	N.T.S.	J-43-2

REV LET	DATE	BY	CHKD.
Y	03DEC96	JAC	

LET.	REVISIONS
Y	PRN: S-1-06A

GRIP RANGE	ASSEMBLY		N NAME	SCREW	SCREW	PAWL	PAWL	PAWL	HOUSING	SPRING	BUSHING	CON SPRING	RETAINER
	PART NUMBER	QTY											
125 - 282	43-1-4-0	049		X		X			X	X	X	X	X
	43-1-4-1	049		X	X	X			X	X	X	X	X
250 - 531	43-1-5-0	049		X		X			X	X	X	X	X
	43-1-5-1	049		X	X	X			X	X	X	X	X
500 - 781	43-1-6-0	049		X		X			X	X	X	X	X
	43-1-6-1	049		X	X	X			X	X	X	X	X

NOTE "1" - FOR QQ-Z-.25 TY. II CL 2, ZINC PL. - CHR. DIP - YELLOW SCREW
CHANGE LAST UNIT OF ASSEMBLY PART No. FROM "0" TO "2".



DRAWING NUMBER
J-43-2