

southco

PROPRIETARY ITEM - EXCEPT FOR USES EXPRESSLY SHOWN IN WRITING INFORMATION DISCLOSED HEREON IS CONFIDENTIAL AND ALL RIGHTS PATENT AND OTHERWISE ARE RESERVED BY SOUTHCO, INC.

SOUTHCO No. 47 CAPTIVE FASTENER
1/4-20 THREAD, FLARE-IN STYLE

| DATE | DRAWN | CHKD | SCALE | DRAWING NUMBER |
|-----------|-------|------|-------|----------------|
| 25NOV2002 | DLH | | 2:1 | J-47-1-2520 |

| REV | DATE | DRAWN/CHKD | DESCRIPTION | PART NUMBER | SCREW PROJECTION | | PANEL THICKNESS | | B | L |
|-----|-----------|------------|-----------------|--------------|------------------|----------------|--------------------|--------------------|------|------|
| | | | | | F ₁ | F ₂ | A ₁ MIN | A ₁ MAX | | |
| A | 15FEB2003 | DLH/AJH | PRN: P2002-0887 | 47-10-8X2-YZ | .05 | .31 | | | | |
| B | 03SEP2003 | AAB/CHW | PRN: P2003-0789 | 47-11-8X2-YZ | .11 | .37 | | | | |
| | | | | 47-12-8X2-YZ | .17 | .43 | .05B | .125 | .015 | .070 |
| | | | | 47-13-8X2-YZ | .24 | .50 | | | | |
| | | | | 47-10-8X4-YZ | .11 | .37 | | | | |
| | | | | 47-11-8X4-YZ | .17 | .43 | .12B | .189 | .052 | .138 |
| | | | | 47-12-8X4-YZ | .24 | .50 | | | | |
| | | | | 47-10-8X6-YZ | .17 | .43 | .189 | .250 | .125 | .197 |
| | | | | 47-11-8X8-YZ | .24 | .50 | | | | |
| | | | | 47-10-8X8-YZ | .24 | .50 | .25D | .312 | .189 | .260 |

INCHES

ALL DIMENSIONS WITHOUT TOLERANCES ARE FOR REFERENCE ONLY.

THIRD ANGLE PROJECTION

B PAPER SIZE

MATERIAL AND FINISH.

KNOB: 6000 SERIES ALUMINUM

SCREW: 400 SERIES STAINLESS STEEL, PASSIVATED, OR HARDENED CARBON STEEL, ZINC PLATE, CHROMATE PLUS SEALER (SEE "Z" TABLE) (NOTE: KNOB AND TOP OF SCREW AVAILABLE WITH POWDER COATING; SEE "Y" TABLE)

FERRULE: 6000 SERIES ALUMINUM, NATURAL

SPRING: 300 SERIES STAINLESS STEEL, PASSIVATED

"Z" KNOB TYPE AND SCREW MATERIAL

| KNOB | SCREW MATERIAL | RECESS | |
|---------|-----------------|------------------|----------------|
| | | SLOTTED PHILLIPS | TORX TORX/SLOT |
| KNURLED | STAINLESS STEEL | 0 | N/A |
| SMOOTH | STAINLESS STEEL | 1 | N/A |
| KNURLED | STEEL | 4 | 0 |
| SMOOTH | STEEL | 5 | 1 |

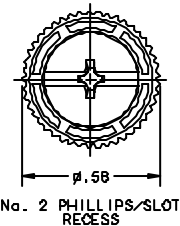
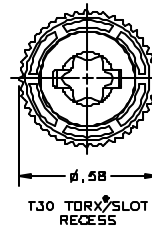
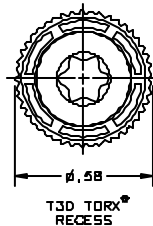
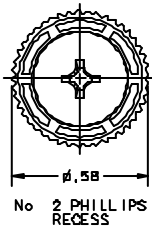
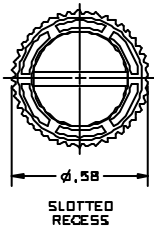
"X" SCREW RECESS

- D - SLOTTED
- 2 - No. 2 PHILLIPS
- 4 - T30 TORX
- 6 - T30 TORX/SLOT COMBINATION
- 8 - No. 2 PHILLIPS/SLOT COMBINATION

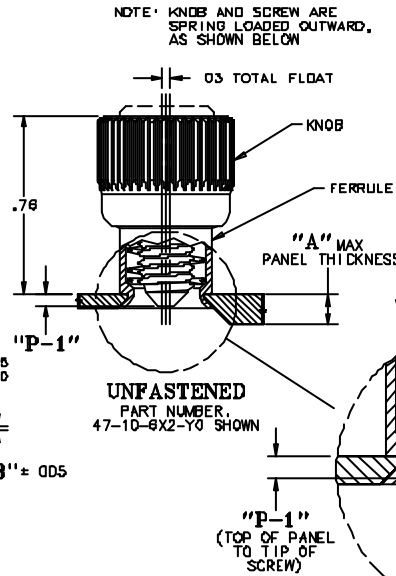
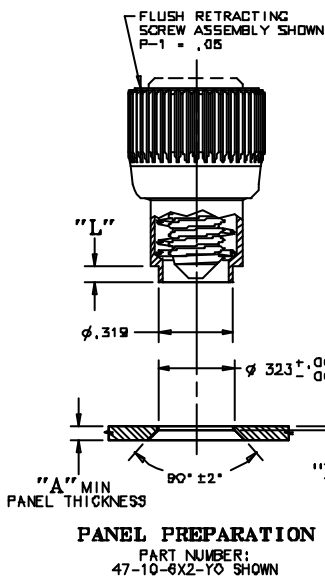
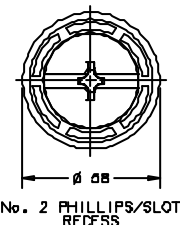
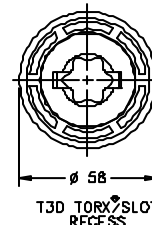
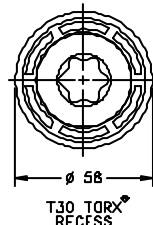
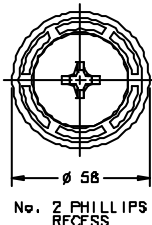
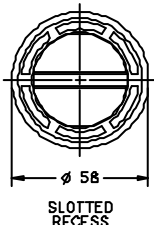
"Y" FINISH ON KNOB & SCREW HEAD

- 1 - BRIGHT
- 4 - CUSTOM COLOR, SEE J-47-0-3 FOR ADDITIONAL SUFFIX
- 5 - BLACK POWDER COATED

KNURLED KNOBS

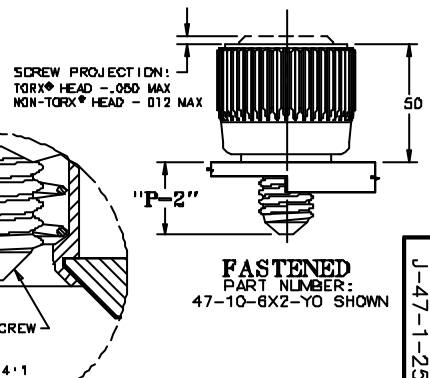


SMOOTH KNOBS



TO INSTALL FASTENER:

1. DRILL, THEN COUNTERSINK ACCORDING TO THE REQUIRED "B" DIMENSION.
2. INSERT FASTENER AND FLARE INTO COUNTERSINK WITH INSTALLATION TOOL PART NUMBER 47-125 OR 29-47-103-10.
3. FOR INSTALLATION FORCE GUIDELINES SEE DRAWING TD-47-11-J.



DRAWING NUMBER
J-47-1-2520