

REV	DATE	DRAWN/CHKD	DESCRIPTION	PART NUMBER	SCREW PROJECTION		PANEL THICKNESS		B	L	INCHES
					P-1	P-2	A. MIN	A. MAX			
				47-10-1X1-YZ	.03	.16					ALL DIMENSIONS WITHOUT TOLERANCES ARE FOR REFERENCE ONLY.
				47-11-1X1-YZ	.10	.22	.031	.058	.015	.041	
				47-12-1X1-YZ	.16	.28					
				47-13-1X1-YZ	.22	.35					
				47-10-1X2-YZ	.06	.19					
				47-11-1X2-YZ	.13	.25	.059	.100	.015	.070	
				47-12-1X2-YZ	.19	.31					
				47-13-1X2-YZ	.25	.37					
				47-10-1X3-YZ	.10	.22					
				47-11-1X3-YZ	.16	.28	.100	.156	.031	.104	
				47-12-1X3-YZ	.22	.35					
				47-10-1X5-YZ	.16	.28	.157	.219	.093	.166	
				47-11-1X5-YZ	.10	.22					
				47-10-1X7-YZ	.22	.35	.220	.281	.156	.229	

**MATERIAL AND FINISH:**  
**KNOB:** 6000 SERIES ALUMINUM, NATURAL OR BLACK POWDER COATED  
**SCREW:** 400 SERIES STAINLESS STEEL, PASSIVATED; OR HARDENED CARBON STEEL, ZINC PLATE, CHROMATE PLUS SEALER (SEE "Z" TABLE) (NOTE: KNOB AND TOP OF SCREW AVAILABLE WITH POWDER COATING; SEE "Y" TABLE)  
**FERRULE:** 6000 SERIES ALUMINUM, NATURAL  
**SPRING:** 300 SERIES STAINLESS STEEL, PASSIVATED

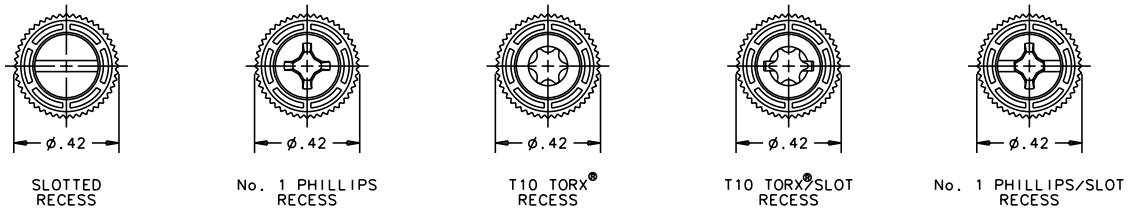
**"X" SCREW RECESS**  
 0 - SLOTTED  
 2 - No. 1 PHILLIPS  
 4 - T10 TORX  
 6 - T10 TORX/SLOT COMBINATION  
 8 - No. 1 PHILLIPS/SLOT COMBINATION

**"Y" FINISH ON KNOB & SCREW HEAD**  
 1 - BRIGHT  
 4 - CUSTOM COLOR. SEE J-47-0-3 FOR ADDITIONAL SUFFIX  
 5 - BLACK POWDER COATED

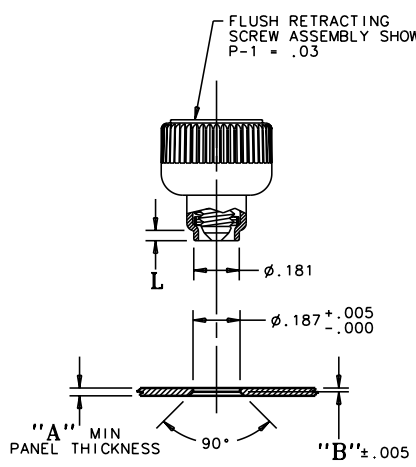
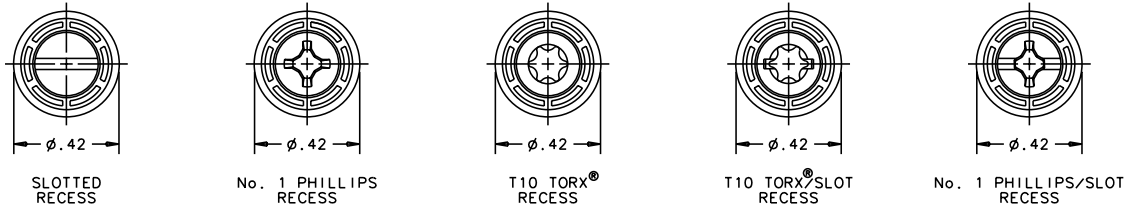
**"Z" KNOB TYPE AND SCREW MATERIAL**

KNOB	SCREW MATERIAL	RECESS	
		SLOTTED TORX <sup>®</sup> PHILLIPS/SLOT	TORX <sup>®</sup> /SLOT
KNURLED	STAINLESS STEEL	0	N/A
SMOOTH	STAINLESS STEEL	1	N/A
KNURLED	STEEL	4	0
SMOOTH	STEEL	5	1

**KNURLED KNOBS**



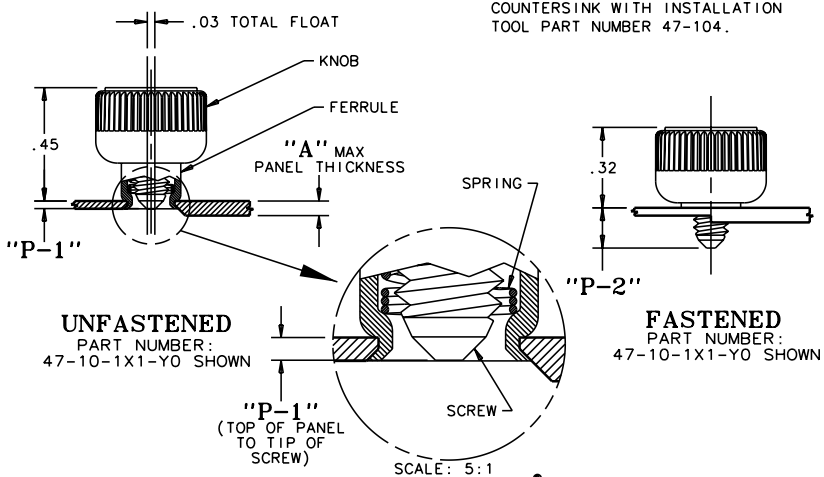
**SMOOTH KNOBS**



NOTE: KNOB AND SCREW ARE SPRING LOADED OUTWARD, AS SHOWN BELOW

**TO INSTALL FASTENER:**

1. DRILL, THEN COUNTERSINK ACCORDING TO THE REQUIRED "B" DIMENSION.
2. INSERT FASTENER AND FLARE INTO COUNTERSINK WITH INSTALLATION TOOL PART NUMBER 47-104.



**PANEL PREPARATION**  
 PART NUMBER:  
 47-10-1X1-Y0 SHOWN

**UNFASTENED**  
 PART NUMBER:  
 47-10-1X1-Y0 SHOWN

**FASTENED**  
 PART NUMBER:  
 47-10-1X1-Y0 SHOWN

SCALE: 5:1

TORX<sup>®</sup> IS A REGISTERED TRADEMARK OF THE CAMCAR DIVISION OF TEXTRON, INC.

DRAWING NUMBER  
J-47-1-440