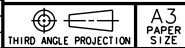


| REV | DATE | DRAWN/CHKD | DESCRIPTION | PART NUMBER | SCREW PROJECTION | | PANEL THICKNESS | | B | L | MILLIMETERS |
|-----|------|------------|-------------|--------------|------------------|------|-----------------|--------|-----|-----|---|
| | | | | | P-1 | P-2 | A, MIN | A, MAX | | | |
| | | | | 47-80-2X2-YZ | 1.1 | 6 | | | | | ALL DIMENSIONS WITHOUT TOLERANCES ARE FOR REFERENCE ONLY. |
| | | | | 47-81-2X2-YZ | 2.7 | 7.6 | 1.5 | 3.2 | 0.4 | 1.8 | |
| | | | | 47-82-2X2-YZ | 4.3 | 9.2 | | | | | |
| | | | | 47-83-2X2-YZ | 5.9 | 10.8 | | | | | |
| | | | | 47-80-2X4-YZ | 2.7 | 7.6 | 3.2 | 4.8 | 1.6 | 3.4 | |
| | | | | 47-81-2X4-YZ | 4.3 | 9.2 | | | | | |
| | | | | 47-82-2X4-YZ | 5.9 | 10.8 | | | | | |
| | | | | 47-80-2X6-YZ | 4.3 | 9.2 | 4.8 | 6.4 | 3.2 | 5 | |
| | | | | 47-81-2X6-YZ | 5.9 | 10.8 | | | | | |
| | | | | 47-80-2X8-YZ | 5.9 | 10.8 | | | | | |



MATERIAL AND FINISH:
 KNOB: 6000 SERIES ALUMINUM, NATURAL OR BLACK POWDER COATED
 SCREW: 400 SERIES STAINLESS STEEL, PASSIVATED; OR HARDENED CARBON STEEL, ZINC PLATE, CHROMATE PLUS SEALER (SEE *Z* TABLE) (NOTE: KNOB AND TOP OF SCREW AVAILABLE WITH POWDER COATING; SEE *Y* TABLE)
 FERRULE: 6000 SERIES ALUMINUM, NATURAL
 SPRING: 300 SERIES STAINLESS STEEL, PASSIVATED

Z KNOB TYPE AND SCREW MATERIAL

***X* SCREW RECESS**

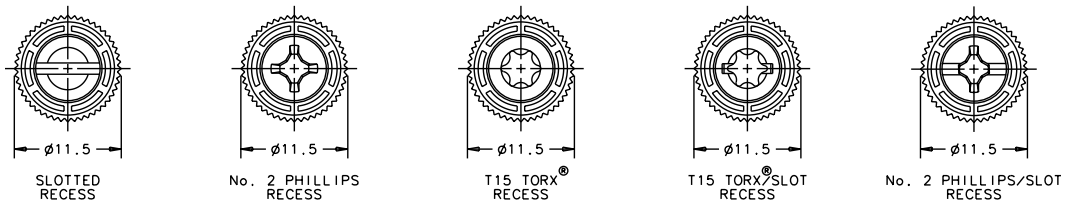
- 0 - SLOTTED
- 2 - No. 2 PHILLIPS
- 4 - T15 TORX
- 6 - T15 TORX/SLOT COMBINATION
- 8 - No. 2 PHILLIPS/SLOT COMBINATION

***Y* FINISH ON KNOB & SCREW HEAD**

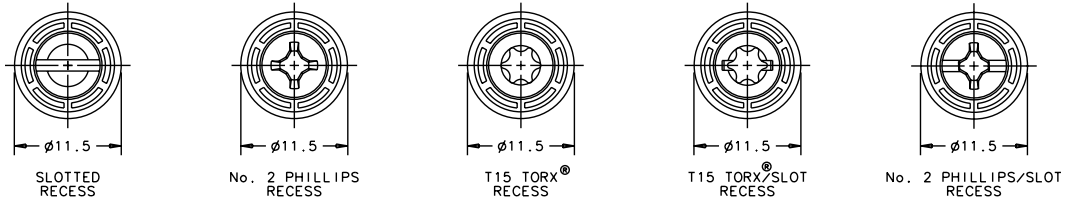
- 1 - BRIGHT
- 4 - CUSTOM COLOR. SEE J-47-0-3 FOR ADDITIONAL SUFFIX
- 5 - BLACK POWDER COATED

| KNOB | SCREW MATERIAL | RECESS | |
|---------|-----------------|----------------------------|-----------|
| | | SLOTTED TORX PHILLIPS/SLOT | TORX/SLOT |
| KNURLED | STAINLESS STEEL | 0 | N/A |
| SMOOTH | STAINLESS STEEL | 1 | N/A |
| KNURLED | STEEL | 4 | 0 |
| SMOOTH | STEEL | 5 | 1 |

KNURLED KNOBS



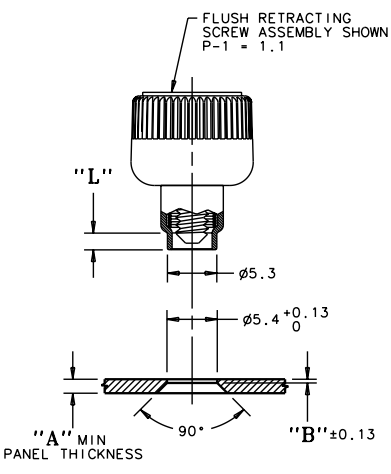
SMOOTH KNOBS



NOTE: KNOB AND SCREW ARE SPRING LOADED OUTWARD, AS SHOWN BELOW

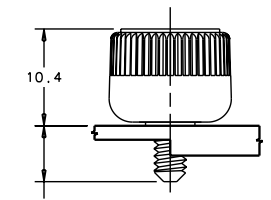
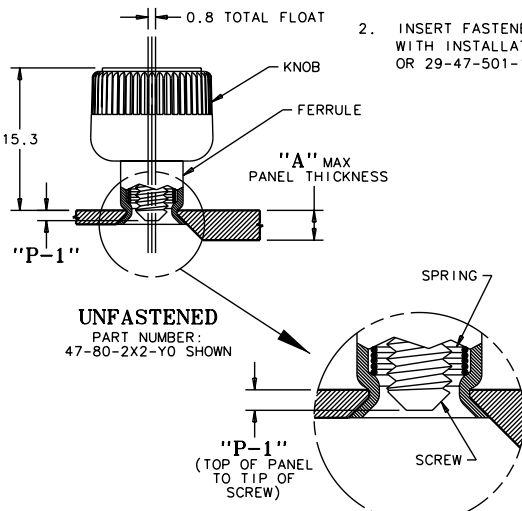
TO INSTALL FASTENER:

1. DRILL, THEN COUNTERSINK ACCORDING TO THE REQUIRED "B" DIMENSION.
2. INSERT FASTENER AND FLARE INTO COUNTERSINK WITH INSTALLATION TOOL PART NUMBER 47-106 OR 29-47-501-10.



PANEL PREPARATION

PART NUMBER: 47-80-2X2-Y0 SHOWN



FASTENED
PART NUMBER: 47-80-2X2-Y0 SHOWN

SCALE: 4:1

TORX IS A REGISTERED TRADEMARK OF THE CAMCAR DIVISION OF TEXTRON, INC.