

southco

PROPRIETARY ITEM - EXCEPT FOR USES EXPRESSLY GRANTED, IN WRITING INFORMATION DISCLOSED AND OTHERWISE ARE RESERVED BY SOUTHCO, INC.

**SOUTHCO No. 47 CAPTIVE FASTENER
8-32 THREAD, FLOATING STYLE**


| | | | | |
|---------|-------|------|-------|----------------|
| DATE | DRAWN | CHKD | SCALE | DRAWING NUMBER |
| 23APR94 | JGK | | 2:1 | J-47-2-832 |

| REV | DATE | DRAWN/CHKD | DESCRIPTION |
|-----|-----------|------------|----------------|
| F | 24OCT2002 | DLH/AJH | PRN P2002-D828 |
| G | 18AUG2003 | AA8/CHW | PRN P2003-D768 |

| PART NUMBER | SCREW PROJECTION | | PANEL THICKNESS | | B | L |
|--------------|------------------|-----|-----------------|--------|------|------|
| | P-1 | P-2 | A, MIN | A, MAX | | |
| 47-10-3X0-YZ | .09 | .28 | - | .031 | .090 | .127 |
| 47-11-3X0-YZ | .16 | .35 | - | .031 | .122 | .158 |
| 47-12-3X0-YZ | .22 | .41 | - | .031 | .122 | .158 |
| 47-10-3X1-YZ | .09 | .28 | .083 | .083 | .122 | .158 |
| 47-11-3X1-YZ | .16 | .35 | .083 | .083 | .122 | .158 |
| 47-12-3X1-YZ | .22 | .41 | .083 | .083 | .122 | .158 |
| 47-10-3X2-YZ | .16 | .35 | .094 | .125 | .185 | .221 |
| 47-11-3X2-YZ | .22 | .41 | .094 | .125 | .185 | .221 |
| 47-10-3X3-YZ | .16 | .35 | .125 | .157 | .216 | .252 |
| 47-11-3X3-YZ | .22 | .41 | .125 | .157 | .216 | .252 |
| 47-10-3X4-YZ | .22 | .41 | .157 | .189 | .248 | .283 |

INCHES

ALL DIMENSIONS WITHOUT TOLERANCES ARE FOR REFERENCE ONLY.



B PAPER SIZE

MATERIAL AND FINISH:

KNOB: 8000 SERIES ALUMINUM, NATURAL OR BLACK POWDER COATED

SCREW: 400 SERIES STAINLESS STEEL, PASSIVATED; OR HARDENED CARBON STEEL, ZINC PLATE, CHROMATE PLUS SEALER (SEE "Z" TABLE) (NOTE: KN08 AND TOP OF SCREW AVAILABLE WITH POWDER COATING, SEE "Y" TABLE)

FERRULE: 8000 SERIES ALUMINUM, NATURAL

SPRING: 300 SERIES STAINLESS STEEL, PASSIVATED

"Z" KN08 TYPE AND SCREW MATERIAL

"X" SCREW RECESS

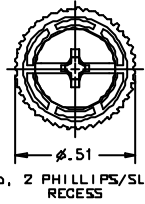
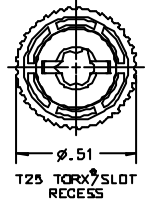
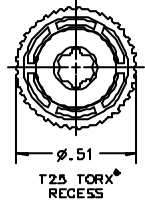
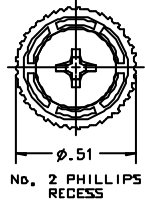
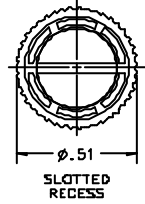
- 1 - SLOTTED
- 3 - No. 2 PHILLIPS
- 5 - T25 TORX
- 7 - T25 TORX/SLOT COMBINATION
- 9 - No. 2 PHILLIPS/SLOT COMBINATION

"Y" FINISH ON KN08 & SCREW HEAD

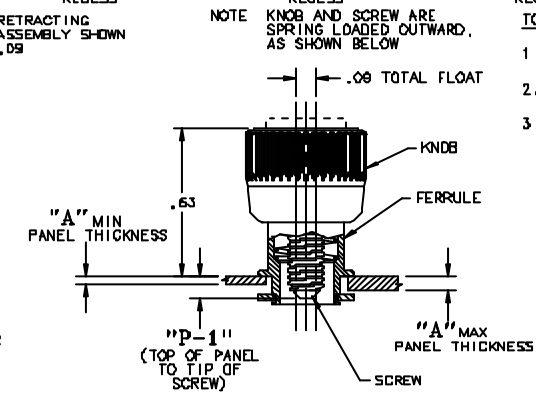
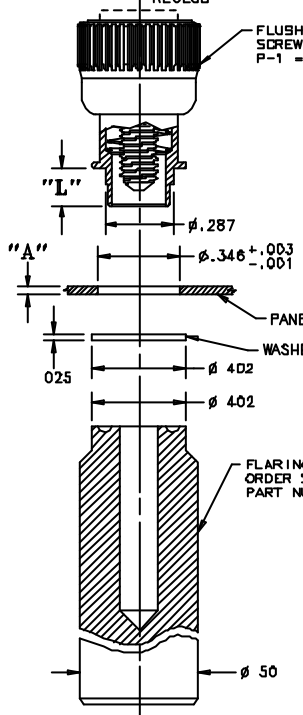
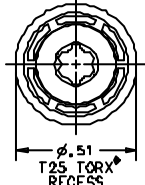
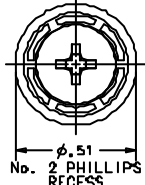
- 1 - BRIGHT
- 4 - CUSTOM COLOR. SEE J-47-0-3 FOR ADDITIONAL SUFFIX
- 5 - BLACK POWDER COATED

| KNOB | SCREW MATERIAL | RECESS | |
|---------|-----------------|------------------|---|
| | | SLOTTED PHILLIPS | TORX [®] TORX/SLOT PHILLIPS/SLOT |
| KNURLED | STAINLESS STEEL | 0 | N/A |
| SMOOTH | STAINLESS STEEL | 1 | N/A |
| KNURLED | STEEL | 4 | 0 |
| SMOOTH | STEEL | 5 | 1 |

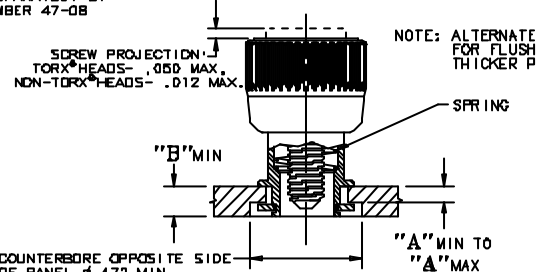
KNURLED KNOBS



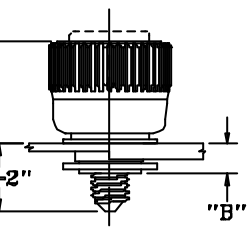
SMOOTH KNOBS



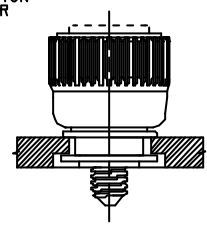
UNFASTENED
PART NUMBER 47-10-3X1-Y0 SHOWN



- TO INSTALL FASTENER,**
- 1 DRILL OR PUNCH HOLE AS SHOWN BELOW.
 2. PLACE FERRULE INTO INSTALLATION HOLE.
 - 3 CENTER TOOL ON THE SCREW THREAD, THEN ROLL FERRULE OVER WASHER TO CAPTIVATE THE ASSEMBLY.



FASTENED
PART NUMBER 47-10-3X1-Y0 SHOWN



PANEL PREPARATION
PART NUMBER 47-10-3X1-Y0 SHOWN

COUNTERBORE OPPOSITE SIDE OF PANEL 0.472 MIN LEAVING THICKNESS OF "A" MAX

TORX[®] IS A REGISTERED TRADEMARK OF THE CAMCAR DIVISION OF TEXTRON, INC.

DRAWING NUMBER
J-47-2-832