

REV	DATE	DRAWN/CHKD	DESCRIPTION
A	30OCT2006	AJH/MDY	PRN: P2006-1511

PART NUMBER	SCREW PROJECTION		PANEL THICKNESS	
	P-1	P-2	A, MIN	A, MAX
47-60-1X1-YZ	.03	.15	.036	-
47-61-1X1-YZ	.10	.22		
47-62-1X1-YZ	.16	.28		
47-63-1X1-YZ	.22	.34		

INCHES

ALL DIMENSIONS WITHOUT TOLERANCES ARE FOR REFERENCE ONLY.

THIRD ANGLE PROJECTION

B PAPER SIZE

**MATERIAL AND FINISH:**

KNOB: 6000 SERIES ALUMINUM

SCREW: 400 SERIES STAINLESS STEEL, PASSIVATED; OR HARDENED CARBON STEEL, ZINC PLATE, CHROMATE PLUS SEALER (SEE "Z" TABLE) (NOTE: KNOB AND TOP OF SCREW AVAILABLE WITH POWDER COATING; SEE "Y" TABLE)

FERRULE: HEAT TREATED STEEL; ZINC PLATE, CHROMATE PLUS SEALER

SPRING: 300 SERIES STAINLESS STEEL, PASSIVATED

"Z" KNOB TYPE AND SCREW MATERIAL

**"X" SCREW RECESS**

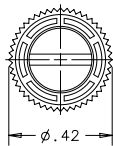
- 0 - SLOTTED
- 2 - No. 1 PHILLIPS
- 4 - T10 TORX
- 6 - T10 TORX/SLOT COMBINATION
- 8 - No. 1 PHILLIPS/SLOT COMBINATION

**"Y" FINISH ON KNOB & SCREW HEAD**

- 2 - BRIGHT
- 4 - CUSTOM COLOR. SEE J-47-0-3 FOR ADDITIONAL SUFFIX
- 6 - BLACK POWDER COATED

KNOB	SCREW MATERIAL	RECESS	
		SLOTTED TORX PHILLIPS PHILLIPS/SLOT	TORX/SLOT
KNURLED	STAINLESS STEEL	0	N/A
SMOOTH	STAINLESS STEEL	1	N/A
KNURLED	STEEL	4	0
SMOOTH	STEEL	5	1

**KNURLED KNOBS**



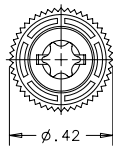
SLOTTED RECESS



No. 1 PHILLIPS RECESS



T10 TORX RECESS

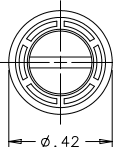


T10 TORX/SLOT RECESS

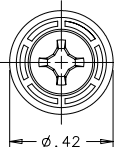


No. 1 PHILLIPS/SLOT RECESS

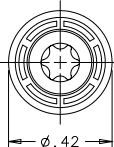
**SMOOTH KNOBS**



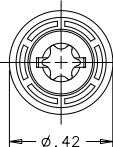
SLOTTED RECESS



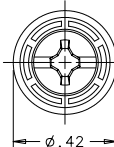
No. 1 PHILLIPS RECESS



T10 TORX RECESS



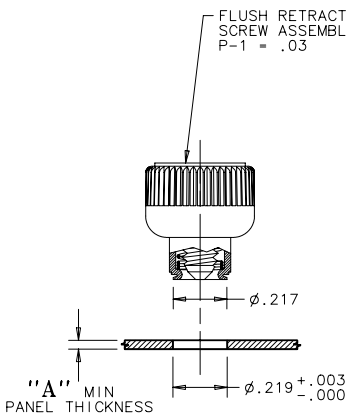
T10 TORX/SLOT RECESS



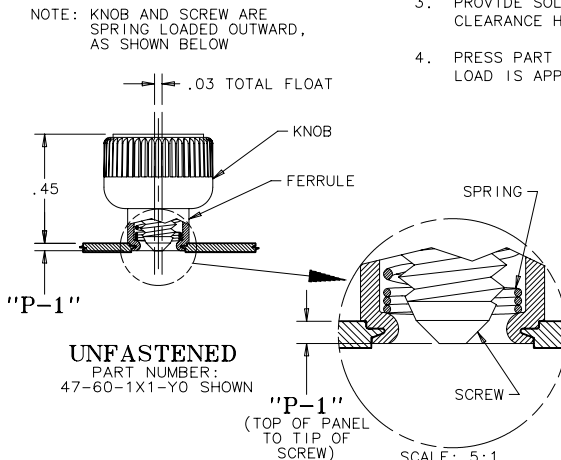
No. 1 PHILLIPS/SLOT RECESS

**TO INSTALL FASTENER:**

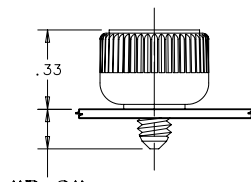
1. DRILL OR PUNCH HOLE AS SHOWN BELOW.
2. PLACE FERRULE INTO INSTALLATION HOLE.
3. PROVIDE SOLID BACK-UP BEHIND HOLE WITH CLEARANCE HOLE  $\phi .125^{+0.002}_{-0.004}$  FOR SCREW.
4. PRESS PART INTO PANEL UNTIL RECOMMENDED LOAD IS APPLIED.



**PANEL PREPARATION**  
PART NUMBER:  
47-60-1X1-Y0 SHOWN



**UNFASTENED**  
PART NUMBER:  
47-60-1X1-Y0 SHOWN



**FASTENED**  
PART NUMBER:  
47-60-1X1-Y0 SHOWN