

southco			PROPRIETARY ITEM - EXCEPT FOR USES EXPRESSLY GRANTED IN WRITING INFORMATION DISCLOSED HEREON IS CONFIDENTIAL AND ALL RIGHTS PATENT AND OTHERWISE ARE RESERVED BY SOUTHCO, INC.		SOUTHCO No. 47 CAPTIVE FASTENER 4-40 THREAD, PCB STYLE			DATE	DRAWN	CHKD	SCALE	DRAWING NUMBER
REV			DATE	DRAWN/CHKD	DESCRIPTION	PART NUMBER	SCREW PROJECTION	PANEL THICKNESS		INCHES		
							P-1	P-2	A. MIN	A. MAX	ALL DIMENSIONS WITHOUT TOLERANCES ARE FOR REFERENCE ONLY.	
						47-65-1X1-YZ	.06	.18	.063	-	THIRD ANGLE PROJECTION	
						47-66-1X1-YZ	.13	.24			B PAPER SIZE	
						47-67-1X1-YZ	.19	.30				
						47-68-1X1-YZ	.25	.37				

MATERIAL AND FINISH:

KNOB: 6000 SERIES ALUMINUM

SCREW: 400 SERIES STAINLESS STEEL, PASSIVATED; OR HARDENED CARBON STEEL, ZINC PLATE, CHROMATE PLUS SEALER (SEE "Z" TABLE) (NOTE: KNOB AND TOP OF SCREW AVAILABLE WITH POWDER COATING; SEE "Y" TABLE)

FERRULE: 300 SERIES STAINLESS STEEL, PASSIVATED

SPRING: 300 SERIES STAINLESS STEEL, PASSIVATED

"X" SCREW RECESS

- 0 - SLOTTED
- 2 - No.1 PHILLIPS
- 4 - T10 TORX®
- 6 - T10 TORX®/SLOT COMBINATION
- 8 - No.1 PHILLIPS/SLOT COMBINATION

"Y" FINISH ON KNOB & SCREW HEAD

- 3 - BRIGHT
- 4 - CUSTOM COLOR. SEE J-47-0-3 FOR ADDITIONAL SUFFIX
- 7 - BLACK POWDER COATED

"Z" KNOB TYPE AND SCREW MATERIAL

KNOB	SCREW MATERIAL	RECESS	
		SLOTTED TORX® PHILLIPS/SLOT	TORX®/SLOT
KNURLED	STAINLESS STEEL	0	N/A
SMOOTH	STAINLESS STEEL	1	N/A
KNURLED	STEEL	4	0
SMOOTH	STEEL	5	1

KNURLED KNOBS



SLOTTED RECESS



No. 1 PHILLIPS RECESS



T10 TORX® RECESS

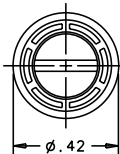


T10 TORX®/SLOT RECESS



No. 1 PHILLIPS/SLOT RECESS

SMOOTH KNOBS



SLOTTED RECESS



No. 1 PHILLIPS RECESS



T10 TORX® RECESS



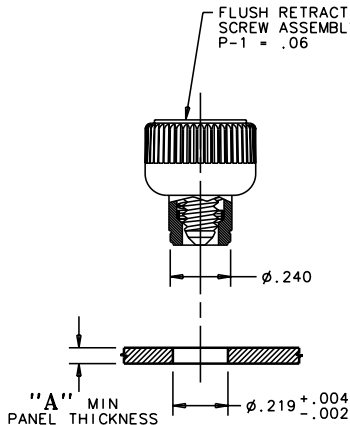
T10 TORX®/SLOT RECESS



No. 1 PHILLIPS/SLOT RECESS

TO INSTALL FASTENER:

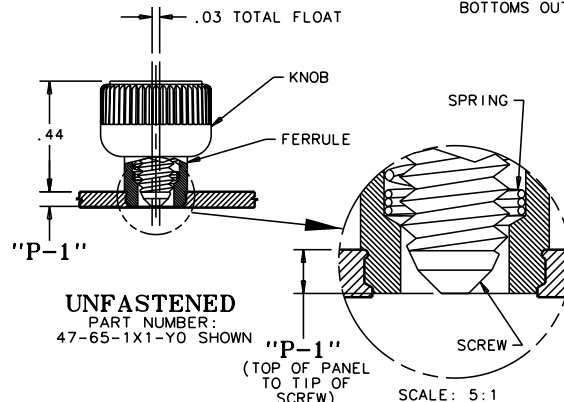
1. DRILL OR PUNCH HOLE AS SHOWN BELOW.
2. PLACE FERRULE INTO INSTALLATION HOLE.
3. PROVIDE SOLID BACK-UP BEHIND HOLE WITH CLEARANCE HOLE $\phi .125_{-.004}^{+.008}$ FOR SCREW.
4. PRESS KNURL INTO PANEL UNTIL SHOULDER BOTTOMS OUT.



PANEL PREPARATION

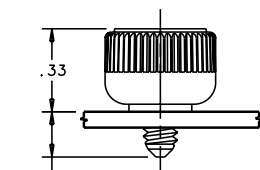
PART NUMBER:
47-65-1X1-Y0 SHOWN

NOTE: KNOB AND SCREW ARE SPRING LOADED OUTWARD, AS SHOWN BELOW



UNFASTENED

PART NUMBER:
47-65-1X1-Y0 SHOWN



FASTENED

PART NUMBER:
47-65-1X1-Y0 SHOWN

SCALE: 5:1

TORX® IS A REGISTERED TRADEMARK OF THE CAMCAR DIVISION OF TEXTRON, INC.

DRAWING NUMBER
J-47-4-440