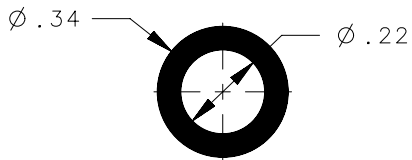
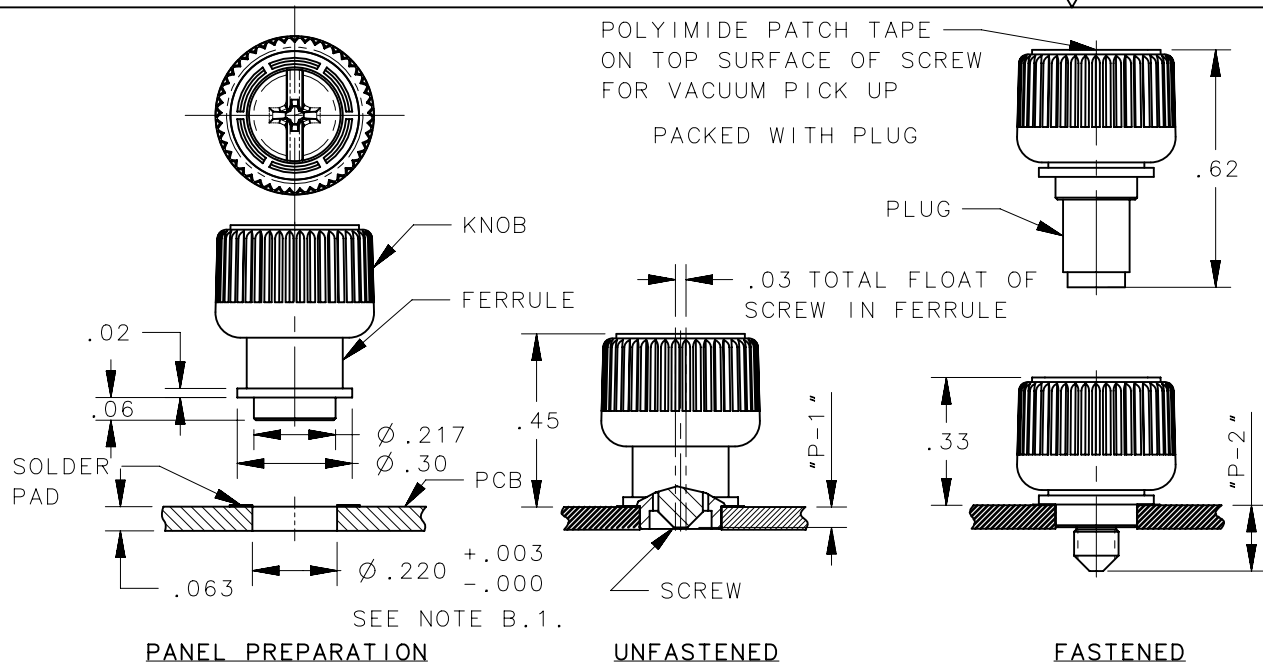


POLYIMIDE PATCH TAPE
ON TOP SURFACE OF SCREW
FOR VACUUM PICK UP

PACKED WITH PLUG



(PASTE TO PAD 1:1)

"B" RECESS STYLES

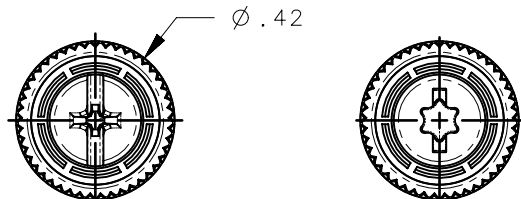
- 3 - No.1 PHILLIPS/SLOT
- 4 - T10 TORX®/SLOT

"D" KNOB STYLES

- K - KNURLED
- N - SMOOTH

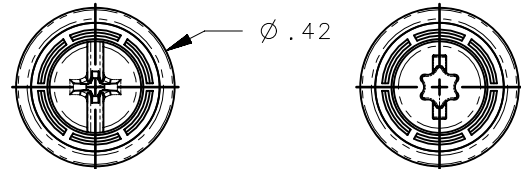
"P" PACKAGE

- R - REEL PACKAGE



No.1 PHILLIPS/SLOT RECESS T10 TORX®/SLOT RECESS

KNURLED KNOB



No.1 PHILLIPS/SLOT RECESS T10 TORX®/SLOT RECESS

SMOOTH KNOB

REVISION HISTORY

REV	DATE	BY	DESCRIPTION
E	04AUG2022	SAK/DMS	PRN: P2022-1393

P/N: 47-SM-1311-K SHOWN



SCALE 1:1

NOTES:

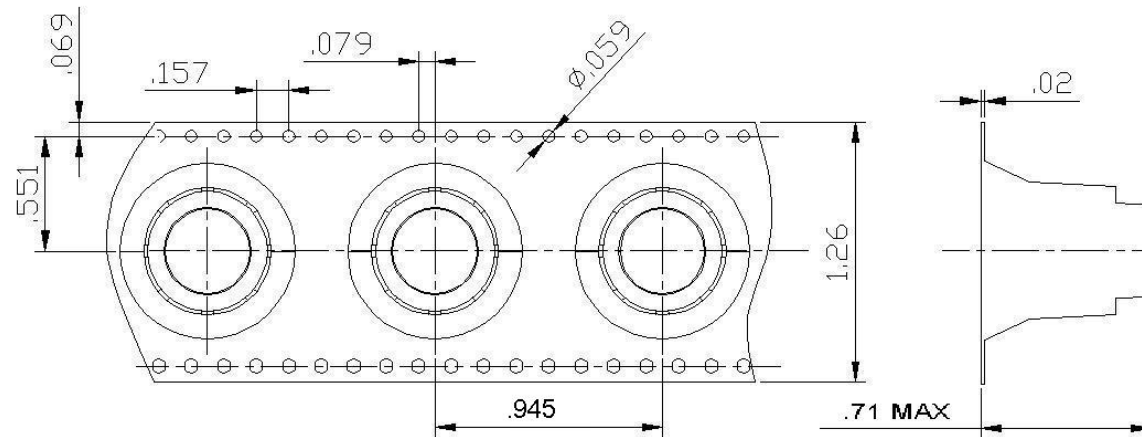
- A. MATERIAL AND FINISH: RoHS COMPLIANT
SCREW: STEEL, HARDENED, ZINC PLATE PLUS SEALER
SPRING: 300 SERIES STAINLESS STEEL, PASSIVATED
KNOB: 6000 SERIES ALUMINUM
FERRULE: STEEL, TIN PLATE
PLUG: SILICONE RUBBER
PATCH: POLYIMIDE
- B. INSTALLATION INSTRUCTION:
 1. PREPARE HOLE AND SOLDER PAD AS SHOWN. HOLE DIAMETER, INCLUDING TOLERANCE, IS FINAL SIZE.
 2. PRINT THE PCB BOARD WITH SOLDER PASTE. THE SOLDER PASTE SHOULD COVER THE SOLDER PAD.
 3. SMT MACHINE TO PICK AND PLACE THE WHOLE SCREW WITH PATCH AND PLUG INTO LOCATED PANEL HOLES.
 4. THE PC BOARDS WILL CONTINUE THROUGH THE SET UP HEAT SOLDERING CHAMBER AND FINISH THE CYCLE. MAXIMUM TEMP 535°F (280°C).
 5. THE PATCH AND PLUG ON SCREW WILL BE REMOVED AFTER SOLDERING DONE AND CANNOT BE REUSED.
 6. TO REMOVE THE PLUG: PULL SCREW HEAD UP TO UNFASTENED POSITION, THEN THE PLUG CAN BE PULLED OFF EASILY.
- C. TORX® IS REGISTERED TRADEMARK OF ACUMENT™ INTELLECTUAL PROPERTIES, LLC.
- D. COSMETIC SPECIFICATION: ALL SURFACES (UNLESS OTHERWISE SPECIFIED) ARE TO BE PER SOUTHCO SPECIFICATION S-121-02, CLASS B, FERRULE CLASS C (REFER TO SECTION 1.0 FOR CROSS REFERENCE TABLE).
- E. SEE PAGE 2 FOR PACKAGE INFORMATION.

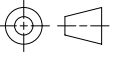

47-SM-1B21-D-P	.09	.20	.063
47-SM-1B11-D-P	.05	.17	.063
PART NUMBER	"P-1"	"P-2"	PANEL THICKNESS
THIRD ANGLE PROJECTION		 CONNECT • CREATE • INNOVATE	
INCHES [MM]			
TOLERANCES UNLESS OTHERWISE NOTED		DESCRIPTION	
ALL DIMENSIONS WITHOUT TOLERANCES ARE FOR REFERENCE ONLY.		47-SM CAPTIVE FASTENER ASSEMBLY 4-40 THREAD	
PROPRIETARY ITEM EXCEPT FOR USES EXPRESSLY GRANTED IN WRITING, INFORMATION DISCLOSED HEREON IS CONFIDENTIAL AND ALL RIGHTS, PATENT AND OTHERWISE, ARE RESERVED BY SOUTHCO, INC.	SIZE A4	SYSTEM NX	DWG NO. J-47-SM-440
PER ASME Y14.5M-1994	DRAWN BY JQ/TVA	DATE 28MAR2012	SCALE 2:1
			SHEET 1 OF 2

REVISION HISTORY			
REV	DATE	BY	DESCRIPTION
E	04AUG2022	SAK/DMS	PRN: P2022-1393

DIMENSIONS ARE IN INCHES.

REEL PACKAGE: 13 INCH REEL PER EIA-481, 150 PIECES PER REEL



	THIRD ANGLE PROJECTION 	 CONNECT • CREATE • INNOVATE			
	INCHES [MM]				
	TOLERANCES UNLESS OTHERWISE NOTED	DESCRIPTION 47-SM CAPTIVE FASTENER ASSEMBLY 4-40 THREAD			
	ALL DIMENSIONS WITHOUT TOLERANCES ARE FOR REFERENCE ONLY.	SIZE A4	SYSTEM NX	DWG NO. J-47-SM-440	
<small> PROPRIETARY ITEM EXCEPT FOR USES EXPRESSLY GRANTED IN WRITING, INFORMATION DISCLOSED HEREON IS CONFIDENTIAL AND ALL RIGHTS, PATENT AND OTHERWISE, ARE RESERVED BY SOUTHCO, INC. </small>	PER ASME Y14.5M-1994	DRAWN BY JQ/TVA	DATE 28MAR2012	SCALE 2:1	SHEET 2 OF 2