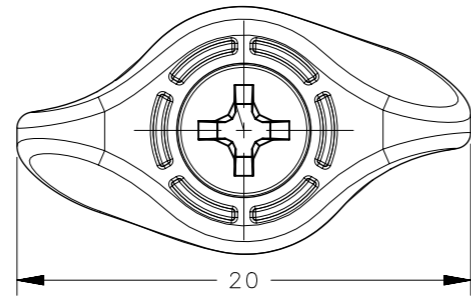
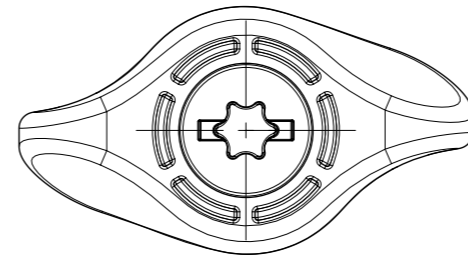


TORX is a registered trademark of ACUMENT® intellectual Properties, LLC

- NOTES:
- A. GATE NOT ORIENTED WITH RECESS OR FRAME BREAK.
 - B. FLASH HEIGHT GREATER THAN 0.3 NOT ACCEPTABLE.
 - C. SURFACE IMPERFECTIONS: INSPECT PARTS FROM 0.6 METERS FOR 3 SECONDS, FOUR SURFACE IMPERFECTIONS MAX PER PART. SURFACE IMPERFECTIONS NO LARGER THAN 2.3mm DIAMETER, HEIGHT OR WIDTH.
 - D. KNOB AND SCREW ARE SPRING LOAD OUTWARD, AS SHOWN BELOW.



No.2 PHILLIPS RECESS



T10 TORX®/SLOT RECESS

MATERIAL AND FINISH:

KNOB: PC/ABS UL94 V0 RATED, FLAME RETARDANT TRIARYLPHOSPHATE (DOES NOT CONTAIN BROMINATED CHLORINATED, OR HALOGENATED ADDITIVES)

SCREW: HEAT TREATED LOW CARBON STEEL
ZINC PLATE, CHROMATE PLUS SEALER

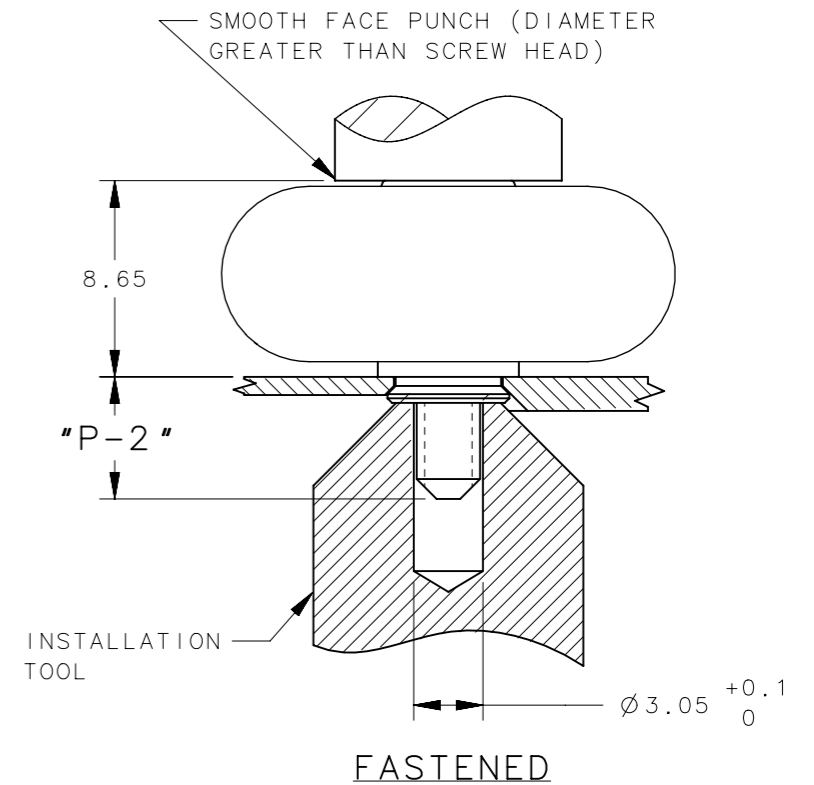
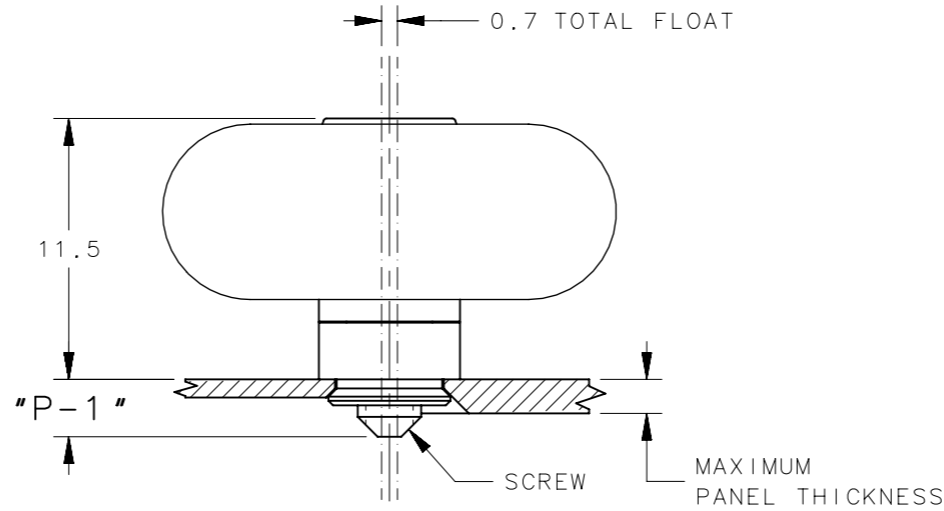
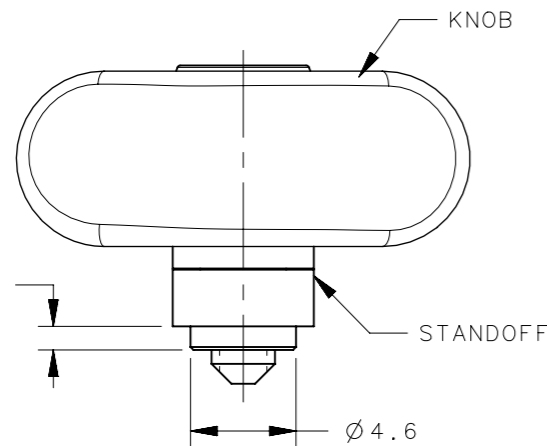
STANDOFF: ALUMINUM, NATURAL

SPRING: 300 SERIES STAINLESS STEEL, PASSIVATED

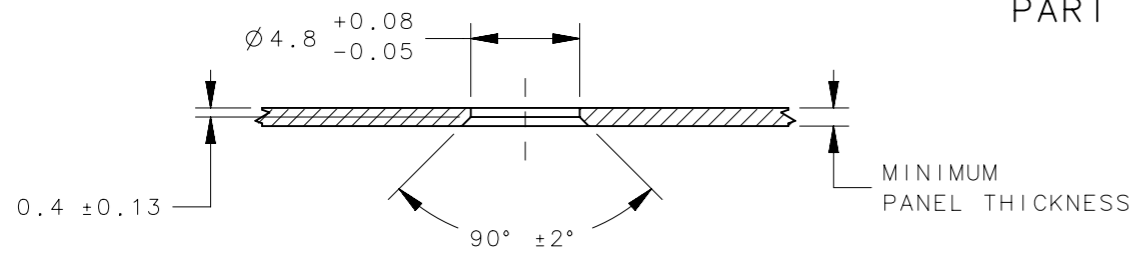
REVISION HISTORY			
REV	DATE	BY	DESCRIPTION
A	07DEC2015	ER/LC	PRN: P2015-2454

TO INSTALL FASTENER:

1. DRILL THEN COUNTERSINK AS SHOWN BELOW.
2. INSERT FASTENER AND FLARE INTO COUNTERSINK WITH INSTALLATION TOOL PART NUMBER 47-104.
3. PUNCH CANNOT TOUCH PLASTIC DURING INSTALLATION.



PART NUMBER: 4C-PH-04-2F1-WEEE SHOWN
UNFASTENED



PANEL PREPARATION



SCALE 1:1

"EEE" KNOB COLOR
000 - BLACK
FOR ADDITIONAL COLORS SEE J-47-0-3

T10 TORX®/SLOT	4C-TS-04-2F1-WEEE	2.5	5.4	0.8	1.5
	4C-TS-04-1F1-WEEE	0.8	3.7		
No.2 PHILLIPS	4C-PH-04-2F1-WEEE	2.5	5.4	MIN	MAX
	4C-PH-04-1F1-WEEE	0.8	3.7		
SCREW RECESS	PART NUMBER	"P-1"	"P-2"	SCREW PROJECTION PANEL THICKNESS	
THIRD ANGLE PROJECTION					
MILLIMETERS [IN]					
TOLERANCES UNLESS OTHERWISE NOTED		southco® CONNECT • CREATE • INNOVATE			
ALL DIMENSIONS WITHOUT TOLERANCES ARE FOR REFERENCE ONLY.					
PROPRIETARY ITEM EXCEPT FOR USES EXPRESSLY GRANTED IN WRITING, INFORMATION DISCLOSED HEREON IS CONFIDENTIAL AND ALL RIGHTS, PATENT AND OTHERWISE, ARE RESERVED BY SOUTHCO, INC.		DESCRIPTION	Captive Fastener		
PER ASME Y14.5M-1994		SIZE	SYSTEM	DWG NO.	
		A3	NX	J-4C-1-440-W	
		DRAWN BY	DATE	SCALE	SHEET
		ER	08APR2015	3:1	1 OF 1