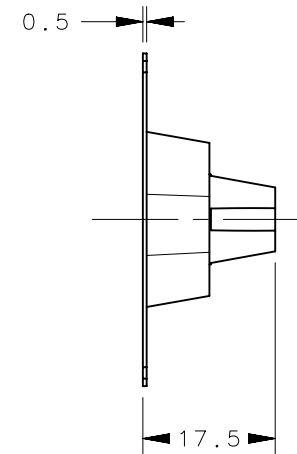
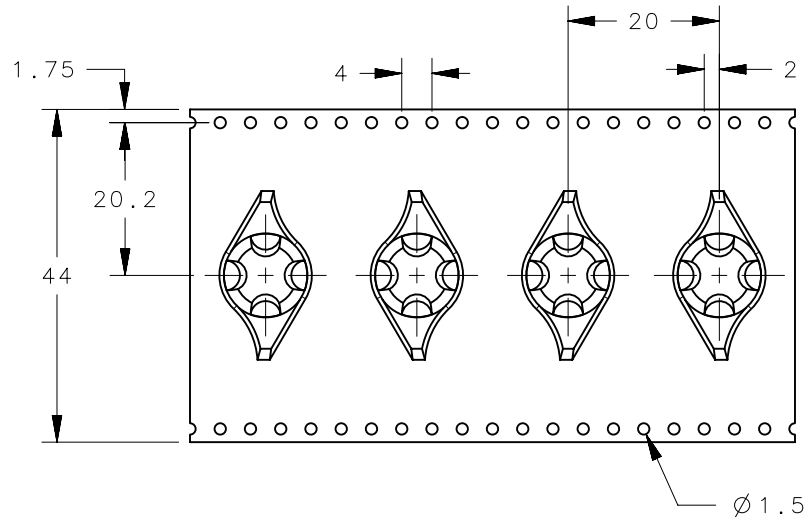
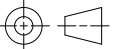



REVISION HISTORY			
REV	DATE	BY	DESCRIPTION
C	15JAN2025	PSP/SAK	PRN: P2025-0038

USER DIRECTION



REEL PACKAGE: 13 INCH REEL PER EIA-481, 150 PIECES PER REEL
 MATERIAL: POLYSTYRENE, BLACK

	THIRD ANGLE PROJECTION 	 CONNECT • CREATE • INNOVATE	
	MILLIMETERS [IN]		
	TOLERANCES UNLESS OTHERWISE NOTED	DESCRIPTION 4C-SM WING HEAD CAPTIVE FASTENER	
	ALL DIMENSIONS WITHOUT TOLERANCES ARE FOR REFERENCE ONLY.	M3 THREAD, SMT STYLE	
PROPRIETARY ITEM EXCEPT FOR USES EXPRESSLY GRANTED IN WRITING, INFORMATION DISCLOSED HEREON IS CONFIDENTIAL AND ALL RIGHTS, PATENT AND OTHERWISE, ARE RESERVED BY SOUTHCO, INC.	PER ASME Y14.5M-2009	SIZE A4	SYSTEM NX
		DWG NO. J-4C-SM-M3-W	
		DRAWN BY ER	DATE 09APR2015
		SCALE 1:1	SHEET 2 OF 2