

DRAWING NUMBER
J-53-7

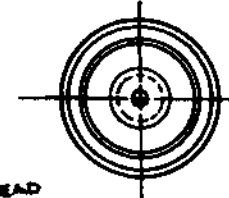
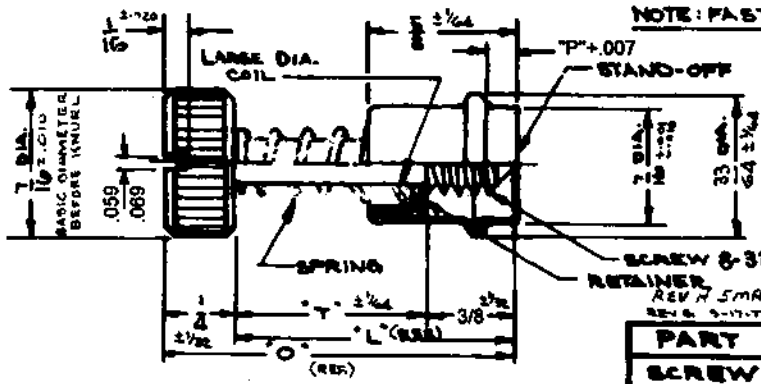
SCALE
N.T.S.

DATE
8-1-60

BY
TRB.

APPROVED
TRB.

DRAWING NUMBER
J-53-7



NOTE: FASTENER SHIPPED UNASSEMBLED

PART	MATERIAL	FINISH
SCREW	STAINLESS STEEL	PASSIVATE
STAND-OFF	STAINLESS STEEL	PASSIVATE
RETAINER	STAINLESS STEEL	PASSIVATE
SPRING	STAINLESS STEEL	PASSIVATE

PROPRIETARY ITEM—EXCEPT FOR USES EXPRESSLY GRANTED IN WRITING, INFORMATION DISCLOSED HEREON IS CONFIDENTIAL AND ALL RIGHTS, PATENT AND OTHERWISE, ARE RESERVED BY SOUTHCO, INC.

REV. 9-23-69 ADDED TOLERANCES
REV. 3-10-65 1/16 DIA. W/ 1/8 DIA. 1/2 DIA. DELETED PREVIOUS REV.

SOUTHCO N°53 FASTENER ASSEMBLIES
8-32 THREAD 7/16 DIA. HEAD

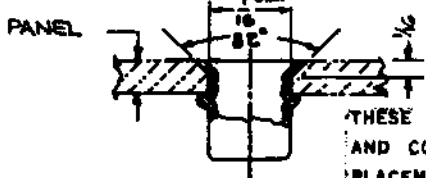
ASSEMBLY PART NUMBERS

SLOTTED		UNSLOTTED		T	L	O	P
8-32 UNC 2A		8-32 UNC-2A					
53-17-710-24		53-27-710-24		5/16	1/2	1/4	1/8
53-17-810-24		53-27-810-24					3/16
53-17-910-24		53-27-910-24					1/4
53-17-711-24		53-27-711-24		3/8	1/2	5/16	1/8
53-17-811-24		53-27-811-24			1/16		3/16
53-17-911-24		53-27-911-24					1/4
53-17-712-24		53-27-712-24		3/4	1/8	3/8	1/8
53-17-812-24		53-27-812-24					3/16
53-17-912-24		53-27-912-24					1/4
53-17-713-24		53-27-713-24		1/2	3/8	7/16	1/8
53-17-813-24		53-27-813-24			3/16		3/16
53-17-913-24		53-27-913-24					1/4
53-17-714-24		53-27-714-24		7/8	1/4	1/2	1/8
53-17-814-24		53-27-814-24					3/16
53-17-914-24		53-27-914-24					1/4
53-17-715-24		53-27-715-24		15/16	1/16	9/16	1/8
53-17-815-24		53-27-815-24			1/16		3/16
53-17-915-24		53-27-915-24					1/4
53-17-716-24		53-27-716-24		1 1/8	3/8	5/8	1/8
53-17-816-24		53-27-816-24					3/16
53-17-916-24		53-27-916-24					1/4

INSTALLATION METHOD 'A'

INSTALLATION METHOD 'B'

FOR FASTENER INSTALLATION SEE DWG. J-53-1



THESE ASSEMBLIES ARE NON-REPAIRABLE ITEMS AND COMPONENTS ARE NOT AVAILABLE AS REPLACEMENT OR REPAIR PARTS.

WHEN DIMENSION 'P' IS:	PANEL RANGE IS:	
	METHOD 'A'	METHOD 'B'
1/8	7/16 TO 9/16	1/16 TO 5/16
3/16	11/16 TO 13/16	3/32 TO 9/16
1/4	15/16 TO 17/16	5/32 TO 13/16