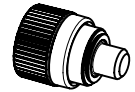


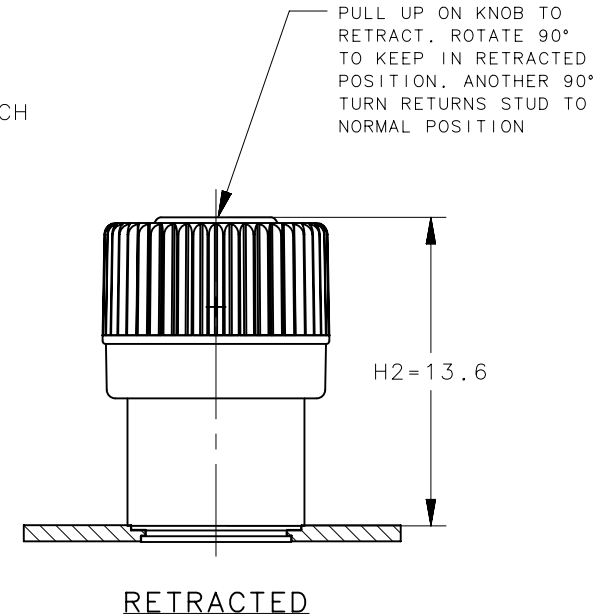
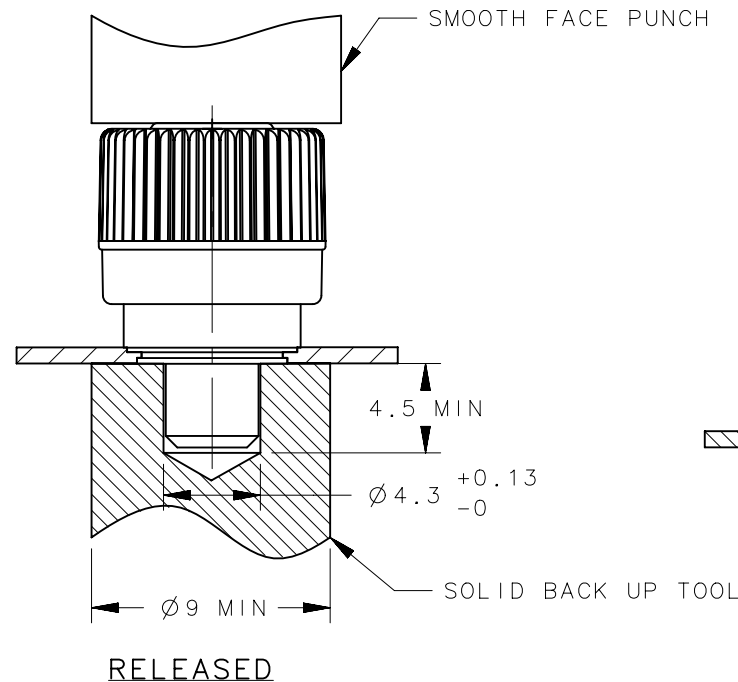
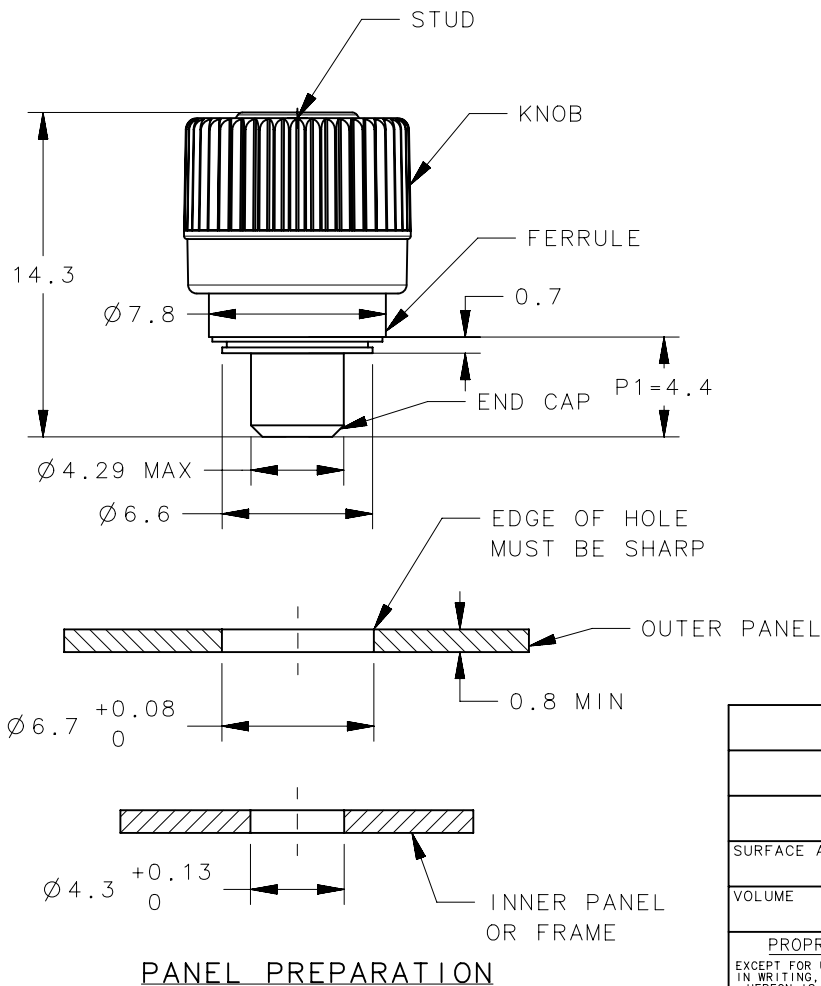
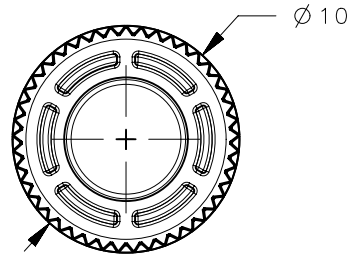
REVISION HISTORY			
REV	DATE	BY	DESCRIPTION
C	03NOV2015	MAL/JQ	PRN: P2015-2208

NOTES:

- A. INSTALLATION INSTRUCTIONS:
 1. DRILL OR PUNCH INSTALLATION HOLE.
 2. PLACE FERRULE INTO INSTALLATION HOLE.
 3. PROVIDE SOLID BACK-UPBEHIND HOLE WITH CLEARANCE HOLE FOR STUD.
 4. PRESS ON HEAD OF STUD UNTIL SHOULDER OF FERRULE IS FIRMLY AGAINST OUTER PANEL.
 RECOMMENDED LOAD OF 8,000 N FOR STEEL, Rb<60. RECOMMENDED LOAD OF 5,000N FOR 5052-H32 ALUMINUM.
 5. PUNCH CANNOT TOUCH PLASTIC DURING INSTALLATION.
- B. MATERIAL AND FINISH:
 FERRULE AND END CAP: STEEL, ZINC PLATE PLUS SEALER.
 SPRING: STAINLESS STEEL, PASSIVATED(NOT SHOWN)
 STUD: HARDENED STEEL, ZINC PLATE PLUS SEALER.
 KNOB: PC/ABS UL94 V0 RATED, FLAME RETARDANT;
 TRIARYLPHOSPHATE (DOES NOT CONTAIN BROMINATED, CHLORINATED, OR HALOGENATED ADDITIVES).
- C. PARTS SHIPPED BULK.
 D. RoHS COMPLIANT.



SCALE 1:1



RETRACTED

"EEE" KNOB COLOR
 -000 BLACK
 SEE J-47-0-3 FOR
 DETAILS

56-311-EEE
PART NUMBER

	THIRD ANGLE PROJECTION				southco [®] CONNECT • CREATE • INNOVATE			
	MILLIMETERS [IN]							
SURFACE AREA	TOLERANCES UNLESS OTHERWISE NOTED	DESCRIPTION			56 MINI PLUNGER			
VOLUME	ALL DIMENSIONS WITHOUT TOLERANCES ARE FOR REFERENCE ONLY.	PRESS-IN, 4C KNOB OVERMOLD, STAY OPEN						
PROPRIETARY ITEM		SIZE	SYSTEM	DWG NO.				
EXCEPT FOR USES EXPRESSLY GRANTED IN WRITING, INFORMATION DISCLOSED HEREON IS CONFIDENTIAL AND ALL RIGHTS, PATENT AND OTHERWISE, ARE RESERVED BY SOUTHCO, INC.		A4	NX	J-56-311-EEE				
	PER ASME Y14.5M-1994	DRAWN BY	DATE	SCALE	SHEET		1 OF 1	
		MAL/JQ	06JUL2015	3:1				