

southco

PROPRIETARY ITEM - EXCEPT FOR USES EXPRESSLY GRANTED IN WRITING INFORMATION DISCLOSED HEREIN IS CONFIDENTIAL AND ALL RIGHTS PATENT AND OTHERWISE ARE RESERVED BY SOUTHCO, INC.

SOUTHCO No. 61
PANEL LATCH ASSEMBLY

DATE 5-10-55 DRAWN ASK CHKD JB SCALE 2.5:1

DRAWING NUMBER
J-61-10-1-0

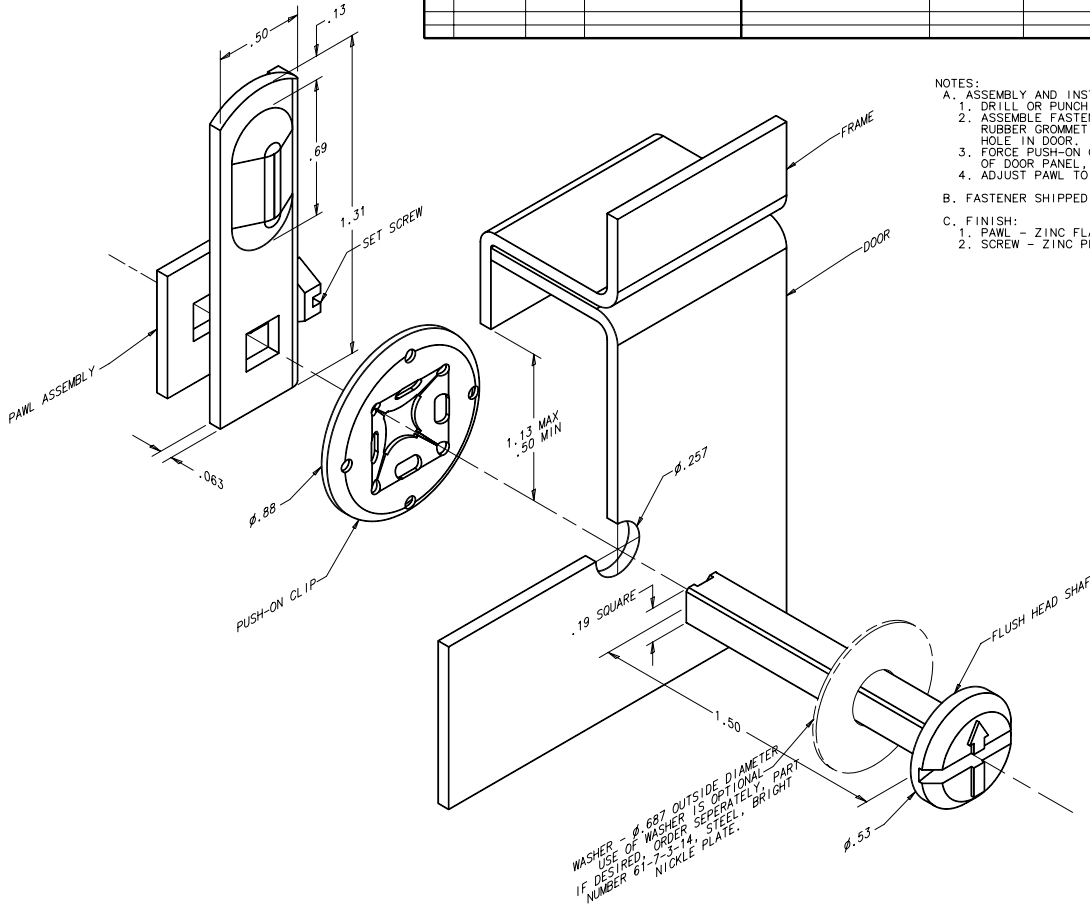
| REV | DATE | DRAWN/CHKD | DESCRIPTION | ITEM | PART NUMBER | MATERIAL | FINISH |
|-----|-----------|------------|-----------------|------------------|-------------|----------|---------------------|
| P | 19AUG2005 | BRP/RLR | PRN: P2005-0909 | ASSEMBLY | 61-10-1-0 | - | - |
| | | | | PUSH-ON CLIP | - | STEEL | ZINC FLAKE COATING |
| | | | | PAWL ASSEMBLY | - | STEEL | SEE NOTE C |
| | | | | FLUSH HEAD SHAFT | - | STEEL | BRIGHT NICKLE PLATE |
| | | | | | | | |
| | | | | | | | |
| | | | | | | | |

INCHES

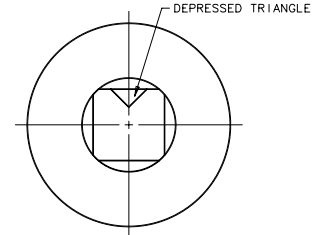
ALL DIMENSIONS WITHOUT TOLERANCES ARE FOR REFERENCE ONLY.

THIRD ANGLE PROJECTION

B PAPER SIZE



- NOTES:
- A. ASSEMBLY AND INSTALLATION INSTRUCTIONS:
 1. DRILL OR PUNCH A ϕ .257 HOLE IN DOOR PANEL, LOCATED AS SHOWN.
 2. ASSEMBLE FASTENER BY SLIPPING THE WASHER, SEALING WASHER AND RUBBER GROMMET OVER SHAFT AND INSERTING THE SHAFT THROUGH HOLE IN DOOR.
 3. FORCE PUSH-ON CLIPS OVER SHAFT AND SEAT FIRMLY AGAINST INSIDE OF DOOR PANEL, DRAWING HEAD UP AS TIGHTLY AS POSSIBLE.
 4. ADJUST PAWL TO DESIRED GRIP BY USE OF SET SCREW.
 - B. FASTENER SHIPPED UNASSEMBLED.
 - C. FINISH:
 1. PAWL - ZINC FLAKE COATING
 2. SCREW - ZINC PLATE CHROMATE DIP



BACK VIEW OF SHAFT
 VIEW OF SHAFT FROM INSIDE OF DOOR.
 SHAFT TRIANGLE TO SHOW ALIGNMENT
 OF SQUARE WITH FRONT FACE ARROW.

SCALE 4:1

WASHER - ϕ .687 OUTSIDE DIAMETER
 USE OF WASHER IS OPTIONAL PART
 IF DESIRED, ORDER STEEL, BRIGHT
 NUMBER 61-7-3-14, NICKLE PLATE.