

southco

PROPRIETARY ITEM - EXCEPT FOR USES EXPRESSLY GRANTED IN WRITING, INFORMATION DISCLOSED HEREON IS CONFIDENTIAL AND ALL RIGHTS, PATENT AND OTHERWISE ARE RESERVED BY SOUTHCO, INC.

No. 61 PANEL LATCH ASSEMBLY
FLUSH HEAD STYLE, 1 INCH SHAFT

DATE: 5-10-55
DRAWN: ASK
CHKD: JKB
SCALE: 2:1

DRAWING NUMBER: J-61-10-6-0

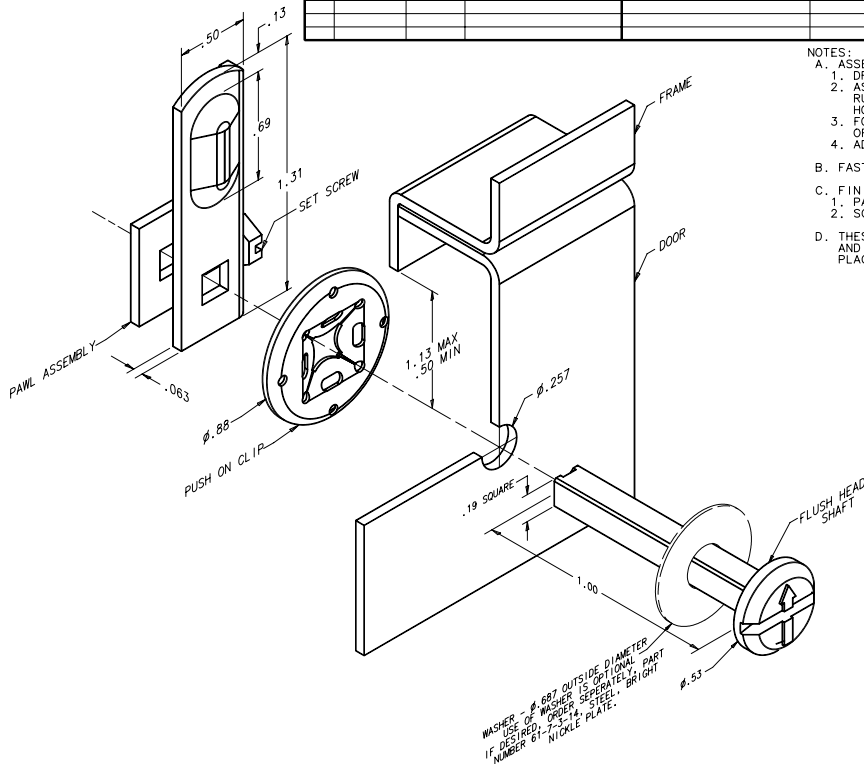
REV	DATE	DRAWN/CHKD	DESCRIPTION	ITEM	PART NUMBER	MATERIAL	FINISH
P	19AUG2005	BRP/RLR	PRN: P2005-0909	ASSEMBLY	61-10-6-0	-	-
				PUSH-ON CLIP	-	STEEL	ZINC FLAKE COATING
				PAWL ASSEMBLY	-	STEEL	SEE NOTE C
				FLUSH HEAD SHAFT	-	STEEL	BRIGHT NICKLE PLATE

INCHES

ALL DIMENSIONS WITHOUT TOLERANCES ARE FOR REFERENCE ONLY.

THIRD ANGLE PROJECTION

B PAPER SIZE



NOTES:

A. ASSEMBLY AND INSTALLATION INSTRUCTIONS:

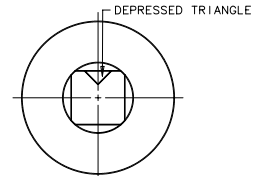
1. DRILL OR PUNCH A Ø.257 HOLE IN DOOR PANEL, LOCATED AS SHOWN.
2. ASSEMBLE FASTENER BY SLIPPING THE WASHER, SEALING WASHER AND RUBBER GROMMET OVER SHAFT AND INSERTING THE SHAFT THROUGH HOLE IN DOOR.
3. FORCE PUSH-ON CLIPS OVER SHAFT AND SEAT FIRMLY AGAINST INSIDE OF DOOR PANEL, DRAWING HEAD UP AS TIGHTLY AS POSSIBLE.
4. ADJUST PAWL TO DESIRED GRIP BY USE OF SET SCREW.

B. FASTENER SHIPPED UNASSEMBLED.

C. PAWL:

1. FINISH - ZINC FLAKE COATING
2. SCREW - ZINC PLATE CHROMATE DIP

D. THESE ASSEMBLIES ARE NON-REPAIRABLE ITEMS AND COMPONENTS ARE NOT AVAILABLE AS REPLACEMENT OR REPAIR PARTS.



BACK VIEW OF SHAFT
VIEW OF SHAFT FROM INSIDE OF DOOR. SHAFT TRIANGLE TO SHOW ALIGNMENT OF SQUARE WITH FRONT FACE ARROW.

SCALE 4:1