

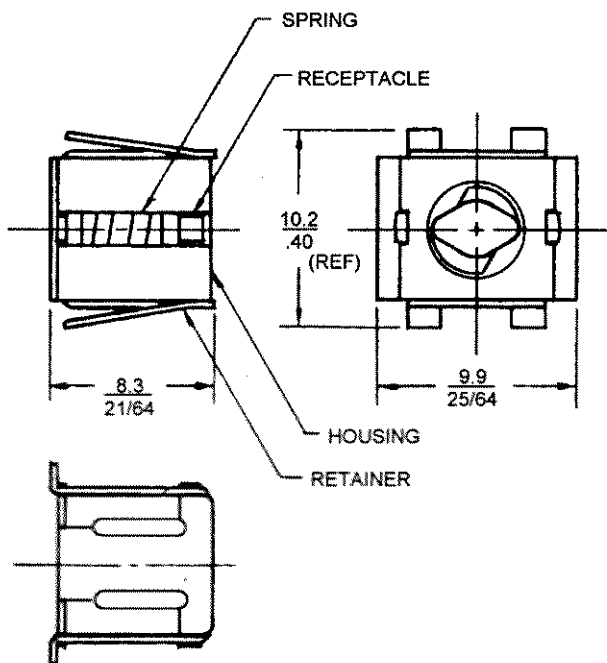


SOUTHCO No.81 SNAP-IN RECEPTACLE

DATE	DRAWN	CHKD	SCALE	DRAWING NUMBER
11-3-75	RHB		NTS	J-81-35-309-56

REV. LET.	DATE	BY-CHKD	REVISIONS	ITEM	PART No.	MATERIAL	FINISH
H	25APR94	RG	PRN:81-131 (SEE RECORD DRAWING)	ASSEMBLY	81-35-309-56	---	---
I	25NOV96	SWD	PRN: S-1-06A	RETAINER	---	STAINLESS STL.	NATURAL
				HOUSING	---	STAINLESS STL.	NATURAL
				RECEPTACLE	---	CASE HARDENED STEEL	SEE NOTE "A"
				SPRING	---	STAINLESS STL.	PASSIVATE

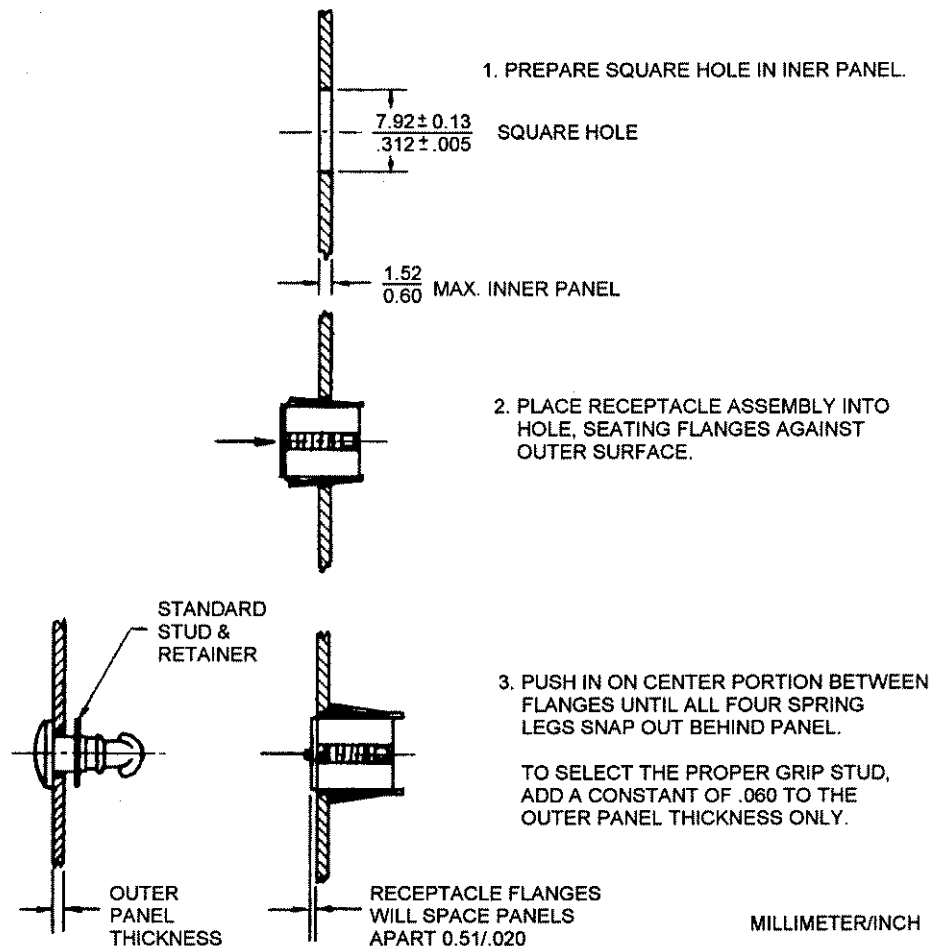
RECEPTACLE ASSEMBLY



PAT. 4,128,923

NOTE A: ZINC PLATE, CHROMATE PLUS SEALER.

INSTALLATION INSTRUCTIONS



MILLIMETER/INCH

MILLIMETER/INCH

PROPRIETARY ITEM - EXCEPT FOR USES EXPRESSLY GRANTED IN WRITING, INFORMATION DISCLOSED HEREON IS CONFIDENTIAL AND ALL RIGHTS, PATENT AND OTHERWISE, ARE RESERVED BY SOUTHCO, INC.

TOLERANCE UNLESS OTHERWISE NOTED
 METRIC mm - TWO PLACE (XX) ± ONE PLACE (X)
 INCH-DECIMALS ± FRACTIONS ANGLES

DRAWING NUMBER

J-81-35-309-56