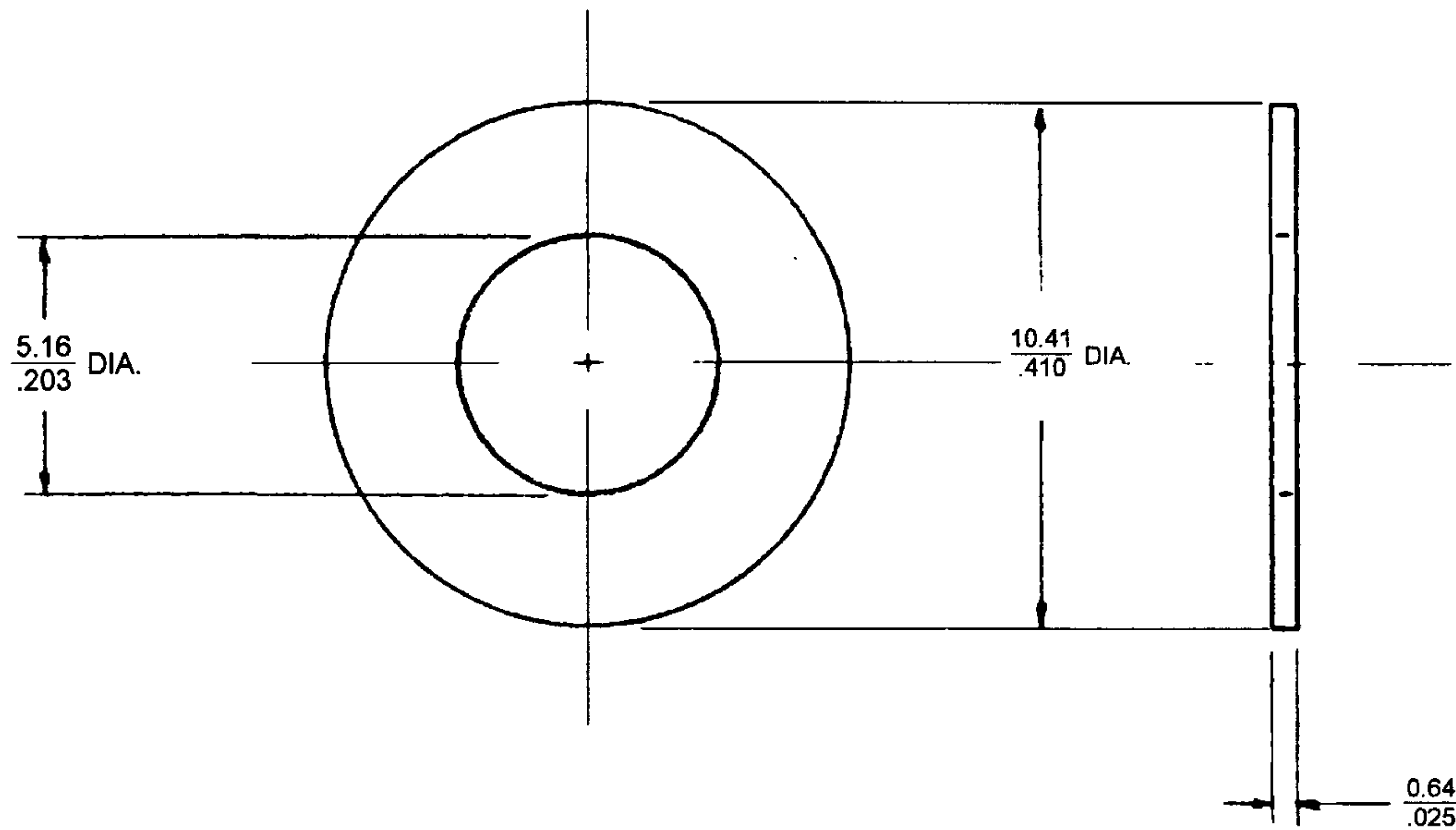




RETAINER

DATE	DRAWN	CHKD	SCALE	DRAWING NUMBER
10-8-79	ESK		N.T.S.	J-82-32-301

REV. LET.	DATE	BY-CHKD	REVISIONS	PART No.	MATERIAL	FINISH			
A	3-1-82	ATF	PRN 5-1-01	82-32-301-12	THERMOPLASTIC	BLACK			
B	12 JAN 93	JC	PRN: 5-1-03						



MILLIMETER/INCH MILLIMETER
INCH

PROPRIETARY ITEM - EXCEPT FOR USES EXPRESSLY GRANTED IN WRITING.
INFORMATION DISCLOSED HEREON IS CONFIDENTIAL AND ALL RIGHTS,
PATENT AND OTHERWISE, ARE RESERVED BY SOUTHCO, INC.

TOLERANCE UNLESS OTHERWISE NOTED
METRIC MM - TWO PLACE (XX) ± ONE PLACE (X) ±
INCH - DECIMALS ± FRACTIONS ± ANGLES ±

DRAWING NUMBER
J-82-32-301