

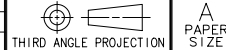
# southco®

PROPRIETARY ITEM - EXCEPT FOR USES EXPRESSLY GRANTED IN WRITING INFORMATION DISCLOSED HEREON IS CONFIDENTIAL AND ALL RIGHTS PATENT AND OTHERWISE ARE RESERVED BY SOUTHCO, INC.

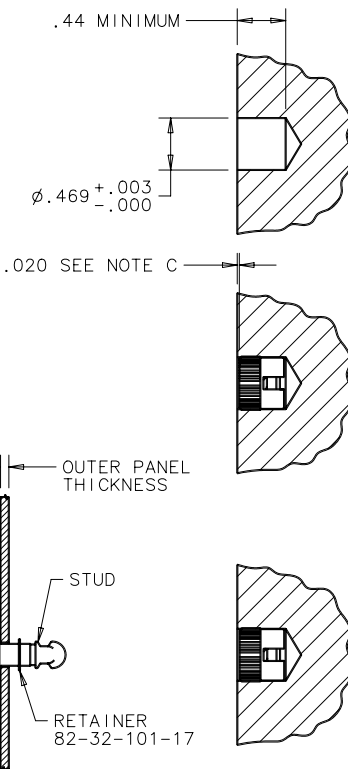
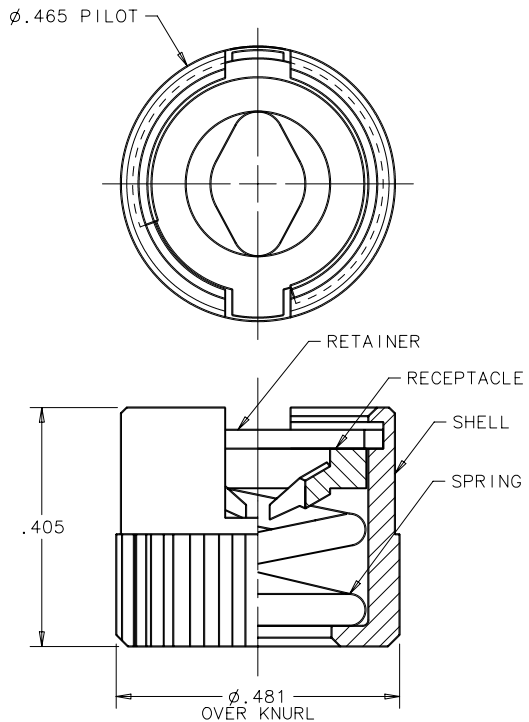
## SOUTHCO No. 82 SINGLE HOLE RECEPTACLE WITHOUT LOCKING STOP

DATE	DRAWN	CHKD	SCALE	DRAWING NUMBER
4-22-82	RHB		4:1	J-82-35-313-55

REV	DATE	DRAWN/CHKD	DESCRIPTION	ITEM	PART NUMBER	MATERIAL	FINISH	INCHES	
G	23JUL93	MPF	PRN: S-99-1-N-1	ASSEMBLY	82-35-313-55	-	-		ALL DIMENSIONS WITHOUT TOLERANCES ARE FOR REFERENCE ONLY.
H	25NOV96	SWD	PRN: S-1-06A	RECEPTACLE	-	CASE HARDENED STEEL	SEE NOTE A		
I	03APR2003	RLR/MJS	PRN: P2003-0244	SHELL	-	CASE HARDENED STEEL	SEE NOTE A		
J	22AUG2004	VNI/MJS	PRN: P2004-0941	SPRING	-	STAINLESS STEEL	ZINC FLAKE COATING		
K	12APR2005	BRP/RLR	PRN: P2005-0589	RETAINER	-	STAINLESS STEEL	PASSIVATED		



### RECEPTACLE ASSEMBLY



#### NOTES:

- FINISH: ZINC PLATE, CHROMATE PLUS SEALER.
- INSTALLATION INSTRUCTIONS:
  - DRILL .469 DIAMETER HOLE IN INNER MEMBER.
  - PRESS RECEPTACLE ASSEMBLY IN TO A DEPTH AS NOTED BELOW SURFACE. SLOT MAY BE POSITIONED AS DESIRED; WHEN LOCKED UP, SLOT IN STUD WILL LINE UP WITH SLOT IN RECEPTACLE.
- .035±.005 WHEN THE 82-56-XXX-XX, FULLY RETRACTING STUDS ARE USED.
- TO SELECT THE PROPER GRIP STUD, ADD A CONSTANT OF .150 TO THE OUTER PANEL THICKNESS.
- THIS RECEPTACLE HAS NO LOCKING STOP. STUD WILL TURN 90° EITHER WAY TO LOCK, AND 90° EITHER WAY TO UNLOCK.**