

DATE	DRAWN	CHKD	SCALE	DRAWING NUMBER
4/25/88	JHV		2:1	J-82-T-1

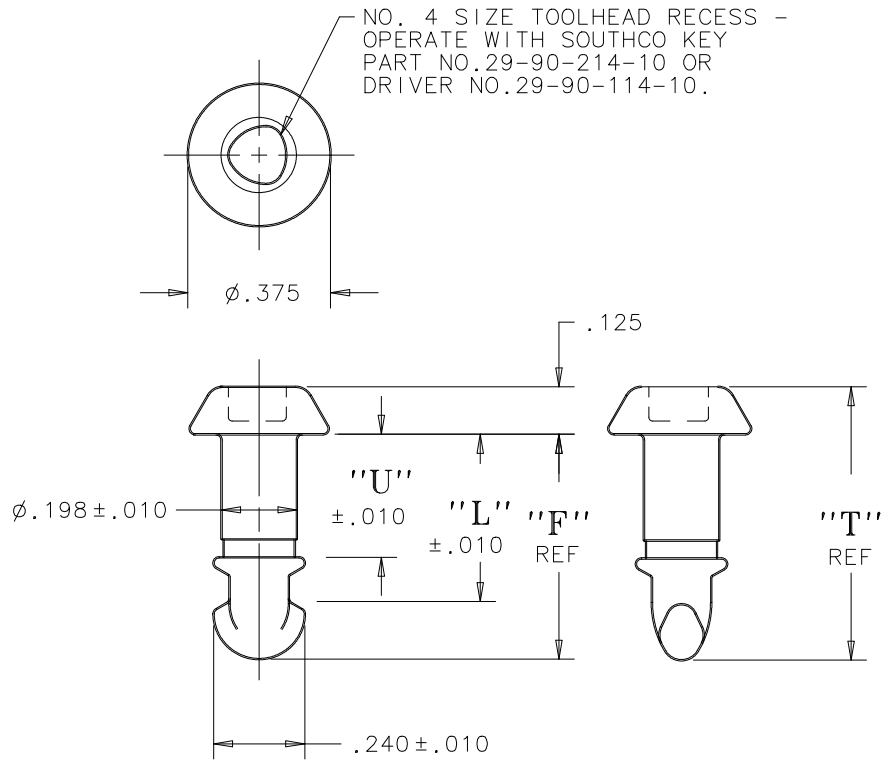
REV.	DATE	BY-CHKD	REVISIONS
G	05DEC2008	MJS/MJS	PRN: P2008-1327
H	02NOV2020	CMS/MSR	PRN: P2020-2048

NOTES:

A. MATERIAL AND FINISH:  
 XX = 16  
 MATERIAL: HARDENED CARBON STEEL  
 FINISH: ZINC PLATE, CHROMATE DIP PLUS SEALER.

B. MATERIAL AND FINISH:  
 XX = 69  
 MATERIAL: HARDENED CARBON STEEL  
 FINISH: ZINC-NICKEL ALLOY WITH TRIVALENT CHROMATE FINISH.

PART NUMBER	"U"	"L"	"F"	"T"
82-T-080-XX	.107	.225	.375	.500
82-T-100-XX	.127	.245	.395	.520
82-T-120-XX	.147	.265	.415	.540
82-T-140-XX	.167	.285	.435	.560
82-T-160-XX	.187	.305	.455	.580
82-T-180-XX	.207	.325	.475	.600
82-T-200-XX	.227	.345	.495	.620
82-T-220-XX	.247	.365	.515	.640
82-T-240-XX	.267	.385	.535	.660
82-T-260-XX	.287	.405	.555	.680
82-T-280-XX	.307	.425	.575	.700
82-T-300-XX	.327	.445	.595	.720
82-T-320-XX	.347	.465	.615	.740
82-T-340-XX	.367	.485	.635	.760
82-T-360-XX	.387	.505	.655	.780
82-T-380-XX	.407	.525	.675	.800
82-T-400-XX	.427	.545	.695	.820
82-T-420-XX	.447	.565	.715	.840
82-T-440-XX	.467	.585	.735	.860
82-T-460-XX	.487	.605	.755	.880
82-T-480-XX	.507	.625	.775	.900
82-T-500-XX	.527	.645	.795	.920
82-T-520-XX	.547	.665	.815	.940
82-T-540-XX	.567	.685	.835	.960
82-T-560-XX	.587	.705	.855	.980
82-T-580-XX	.607	.725	.875	1.000
82-T-600-XX	.627	.745	.895	1.020
82-T-620-XX	.647	.765	.915	1.040
82-T-640-XX	.667	.785	.935	1.060
82-T-660-XX	.687	.805	.955	1.080
82-T-680-XX	.707	.825	.975	1.100
82-T-700-XX	.727	.845	.995	1.120
82-T-720-XX	.747	.865	1.015	1.140
82-T-740-XX	.767	.885	1.035	1.160
82-T-760-XX	.787	.905	1.055	1.180
82-T-780-XX	.807	.925	1.075	1.200
82-T-800-XX	.827	.945	1.095	1.220
82-T-820-XX	.847	.965	1.115	1.240
82-T-840-XX	.867	.985	1.135	1.260
82-T-860-XX	.887	1.005	1.155	1.280
82-T-880-XX	.907	1.025	1.175	1.300
82-T-900-XX	.927	1.045	1.195	1.290
82-T-920-XX	.947	1.065	1.215	1.340
82-T-940-XX	.967	1.085	1.235	1.360
82-T-960-XX	.987	1.105	1.255	1.380
82-T-980-XX	1.007	1.125	1.275	1.400
82-T-1000-XX	1.027	1.145	1.295	1.420



FORMAT A 3/88

PROPRIETARY ITEM - EXCEPT FOR USES EXPRESSLY GRANTED IN WRITING INFORMATION DISCLOSED HEREON IS CONFIDENTIAL AND ALL RIGHTS PATENT AND OTHERWISE ARE RESERVED BY SOUTHCO, INC.

DRAWING NUMBER
J-82-T-1