

southco

PROPRIETARY ITEM - EXCEPT FOR USES EXPRESSLY GRANTED IN WRITING INFORMATION DISCLOSED HEREON IS CONFIDENTIAL AND ALL RIGHTS PATENT AND OTHERWISE ARE RESERVED BY SOUTHCO, INC.

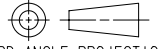
A5 ACTUATOR PLATE ASSEMBLY

DATE	DRAWN	CHKD	SCALE	DRAWING NUMBER
28FEB2006	MDY		1:1	J-A5-90-101-11

REV	DATE	DRAWN/CHKD	DESCRIPTION	ITEM	PART NUMBER	MATERIAL	FINISH
F	11OCT2007	DLH/DLH	PRN: P2007-1277	ASSEMBLY	A5-90-101-11	-	-
G	25JAN2011	MJS	PRN: P2011-0071	ASSEMBLY	A5-90-104-11	-	-
				ACTUATOR PLATE	-	DIE CAST ZINC	CLEAR CHROMATE CONVERSION COATING
				ADAPTOR (2)	-	DIE CAST ZINC	ZINC PLATED
				PIN (2)	-	STEEL	ZINC PLATED
				C-CLIP (2)	-	STAINLESS STEEL	PASSIVATED
				SET SCREW (2)	-	STAINLESS STEEL	PASSIVATED

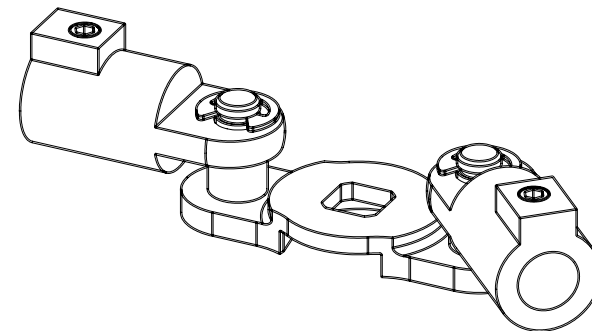
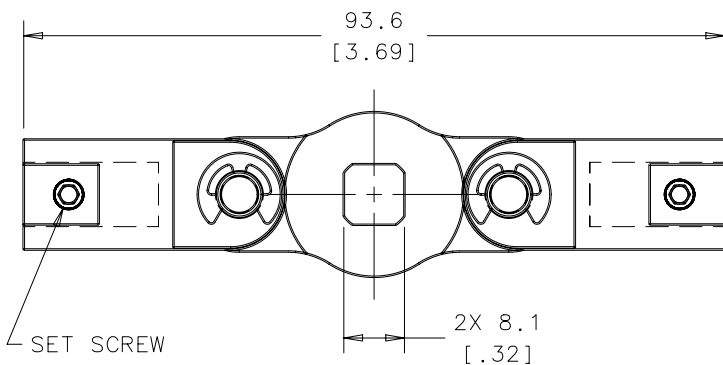
MILLIMETERS [INCHES]

ALL DIMENSIONS WITHOUT TOLERANCES ARE FOR REFERENCE ONLY.



THIRD ANGLE PROJECTION

A4 PAPER SIZE



ASSEMBLY PART NUMBER	X	Y
A5-90-101-11	22.2 [0.87]	4.7 0.18]
A5-90-104-11	25.2 [0.99]	7.7 [0.30]

