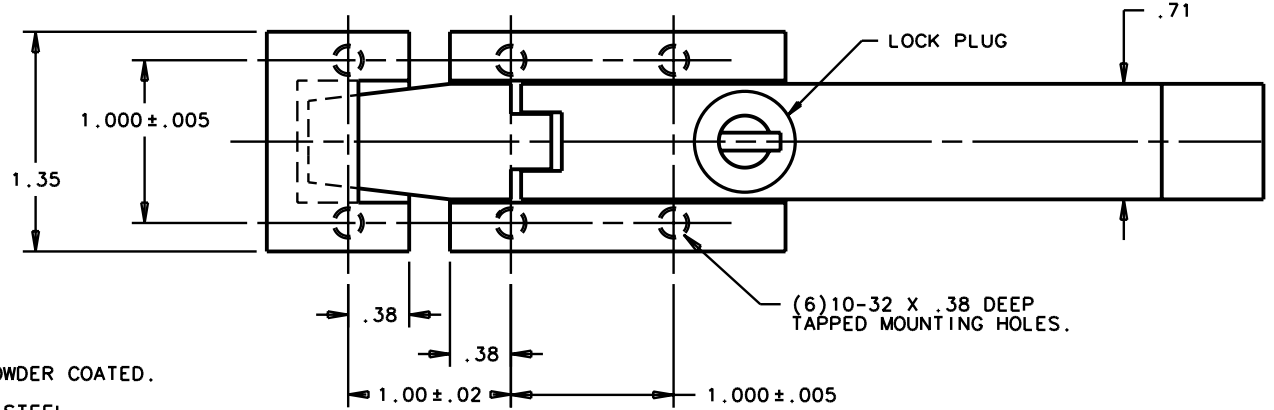


REV.	DATE	DRAWN	REVISION	ITEM	PART NUMBER	LEVER, PAWL, BASE, KEEPER MATERIAL	KEEPER FINISH	COMPONENT MATERIAL & FINISH
A	05FEB93	KPL	PRN: S-1-03	ASSEMBLY	A7-10-302-20	DIE CAST ZINC	SEE NOTE A	SEE NOTE C
B	09OCT96	SWD	PRN: S-93-23	ASSEMBLY	A7-10-302-30	DIE CAST ZINC	BRIGHT CHROME PLATED	SEE NOTE C
C	28NOV2001	RJB/JSS	PRN: P2001-0631	ASSEMBLY	A7-10-302-75	DIE CAST ZINC	SEE NOTE B	SEE NOTE C

INCH DIMENSIONS  
DIMENSIONS WITHOUT TOLERANCE ARE FOR REFERENCE ONLY

THIRD ANGLE PROJECTION

A4 PAPER SIZE



**NOTES:**

- A. BLACK POWDER COATED.
- B. SATIN SILVER POLYESTER POWDER COATED.
- C. VISIBLE PINS - STAINLESS STEEL, PASSIVATED; INTERNAL PINS - STAINLESS STEEL, NATURAL; LINK - DIE CAST ZINC, CHEMICAL PROTECTIVE FILM; SPRING - MUSIC WIRE, PHOSPHATE DIP PLUS BLACK ORGANIC COATING.  
LOCK PLUG - DIE CAST ZINC AND BRASS, SEE FINISH IN ABOVE TABLE; LOCK EXTENSION - DIE CAST ZINC, CHEMICAL PROTECTIVE FILM; LOCK SLIDE - STEEL, ZINC PLATE BRIGHT.

