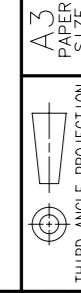
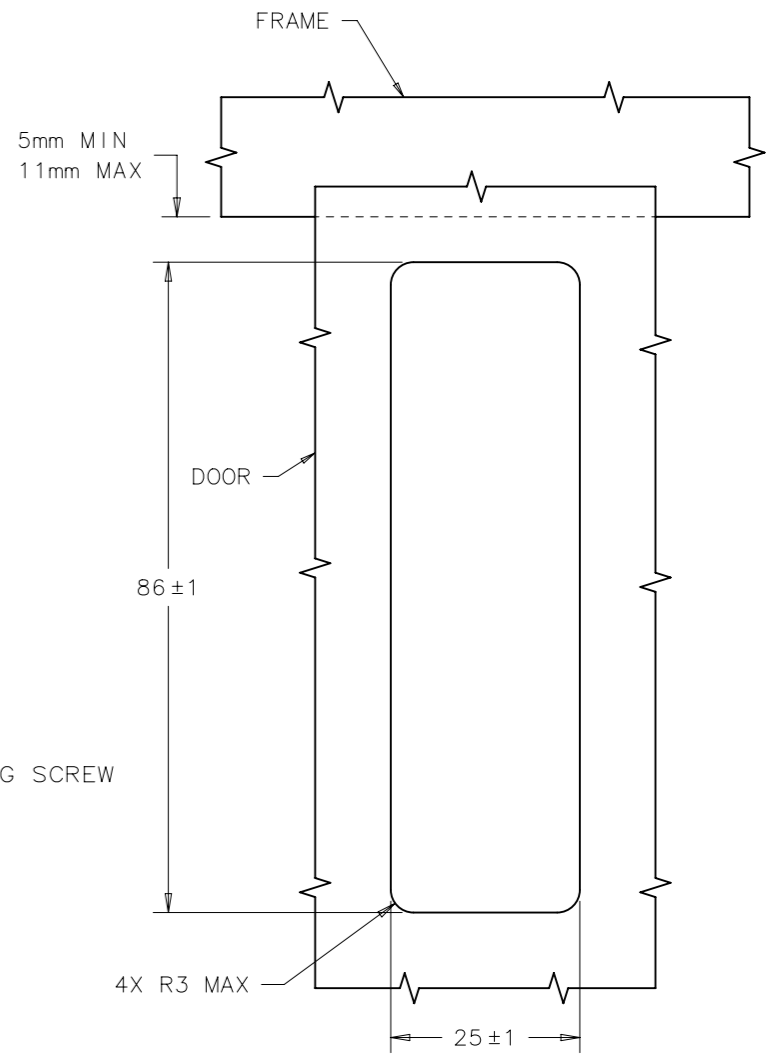
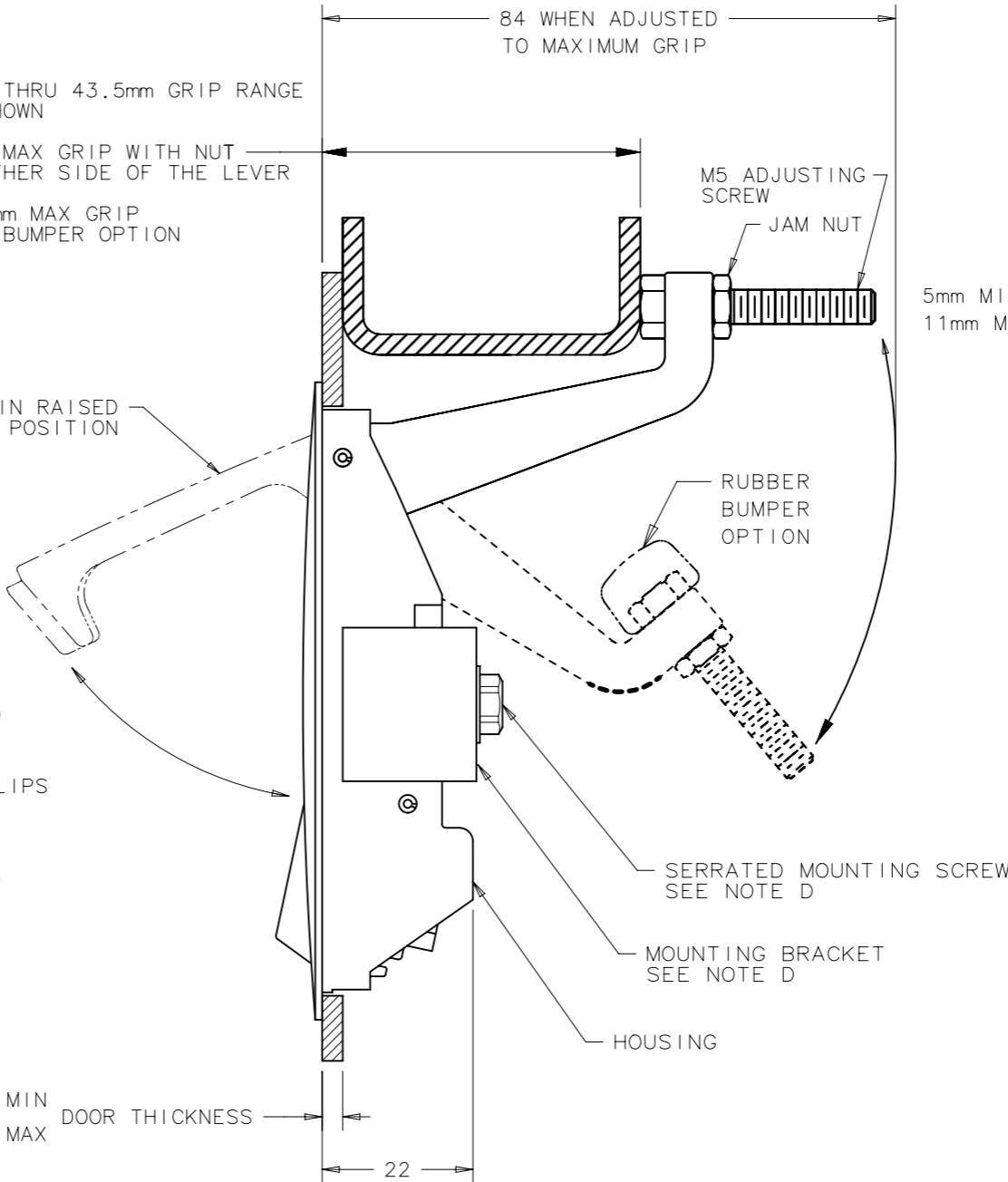
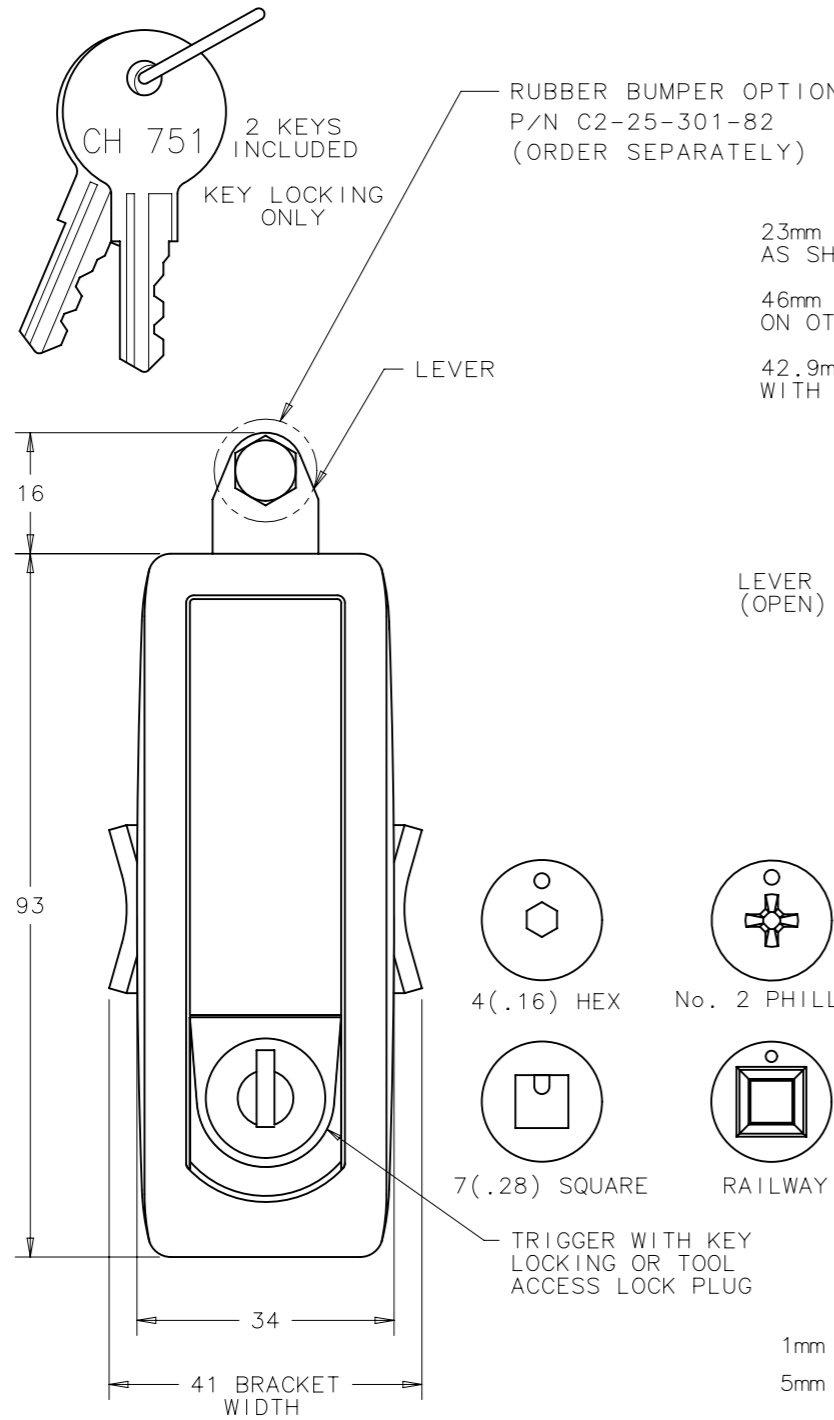


REV	DATE	DRAWN/CHKD	DESCRIPTION
I	19JUN2003	RLR/MJS	PRN: P2003-0504
J	13AUG2004	VNI/RLR	PRN: P2004-0893
K	09NOV2004	MDY/RLR	PRN: P2004-1308
L	06SEP2005	MDY/RLR	PRN: P2005-1167
M	23SEP2011	MJS/DM	PRN: P2011-0647
N	08MAR2012	MJS	PRN: P2012-0322
O	24JUL2013	MJS/TVA	PRN: P2013-1498
P	13AUG2018	CMS/LT	PRN: P2018-1902

MILLIMETERS
ALL DIMENSIONS WITHOUT TOLERANCES ARE FOR REFERENCE ONLY.



	ASSEMBLY PART NUMBER TABLE		
	BLACK POWDER COATED	TEXTURED CHROME FINISH	SILVER POLYESTER POWDER COATED
KEY LOCKING	C2-33-25	C2-33-21	C2-33-27
4mm HEX RECESS	C2-33-45	C2-33-41	C2-33-47
No. 2 PHILLIPS	C2-33-105	C2-33-101	C2-33-107
7mm SQUARE RECESS	C2-33-115	C2-33-111	C2-33-117
WITHOUT LOCK PLUG	C2-33-135	C2-33-131	C2-33-137
RAILWAY	C2-33-145	C2-33-141	C2-33-147



NOTES:

- A. MATERIAL AND FINISH
 1. HOUSING, LEVER, LOCK PLUG AND TRIGGER: DIE CAST ZINC, SEE ASSEMBLY PART NUMBER TABLE.
 2. U-SPRING: 302 STAINLESS STEEL, PASSIVATED.
 3. TORSION SPRING: 302 STAINLESS STEEL, NATURAL.
 4. SPIROL PIN: SAE 51420, NATURAL
 5. SCREWS AND HEX NUT: LOW CARBON STEEL, ZINC ALLOY PLATE BRIGHT PLUS SEALER.
 6. BRACKET: 1010 STEEL, ZINC ALLOY PLATE BRIGHT PLUS SEALER.
 7. KEYS: BRASS, NICKEL PLATED.
- B. MOUNTING SCREW IS A M5 SCREW. USE LONGER SCREWS (NOT SUPPLIED) FOR THICKER DOORS.
- C. LOCKPLUG INSTALLATION:
 1. POSITION LOCKPLUG AND ORIENT RETAINING WAFER (LAST WAFER LOCATED AT THE BOTTOM OF LOCK) AT THE 3 O'CLOCK POSITION AND INSERT INTO THE TRIGGER.
 2. BE SURE THE LOCKPLUG IS FULLY SEATED AGAINST THE TRIGGER, THEN REMOVE KEY.
- D. MOUNTING BRACKET AND SCREW ASSEMBLY PACKAGED IN PLASTIC BAG, SHIPPED UNASSEMBLED.