

**southco**

PROPRIETARY ITEM - EXCEPT FOR USES EXPRESSLY GRANTED IN WRITING INFORMATION DISCLOSED HEREON IS CONFIDENTIAL AND ALL RIGHTS PATENT AND OTHERWISE ARE RESERVED BY SOUTHCO, INC.

No. C7 FLEXIBLE DRAW LATCH CONCEALED KEEPER

DATE: 4/10/89  
 DRAWN: RES  
 CHKD: RES  
 SCALE: 1.5:1  
 DRAWING NUMBER: J-C7-10

REV	DATE	DRAWN/CHKD	DESCRIPTION	ITEM	PART NUMBER	MATERIAL	FINISH/COLOR
F	07FEB2006	AJH/MDY	PRN: P2006-0226	ASSEMBLY	C7-10	-	-
G	04SEP2018	CMS/MGG	PRN: P2018-2070	LATCH SUBASSEMBLY	C7-10-15	SEE NOTE 1	SEE NOTE 1
				KEEPER	-	304 STAINLESS STEEL	PASSIVATED
				ASSEMBLY	C7-10-02	-	-
				LATCH SUBASSEMBLY	C7-10-15-02	SEE NOTE 1	SEE NOTE 1
				KEEPER	-	304 STAINLESS STEEL	PASSIVATED
				ASSEMBLY	C7-10-04	-	-
				LATCH SUBASSEMBLY	C7-10-15-04	SEE NOTE 1	SEE NOTE 1
				KEEPER	-	304 STAINLESS STEEL	PASSIVATED

ALL DIMENSIONS WITHOUT TOLERANCES ARE FOR REFERENCE ONLY.

THIRD ANGLE PROJECTION  
 A PAPER SIZE

NOTES:

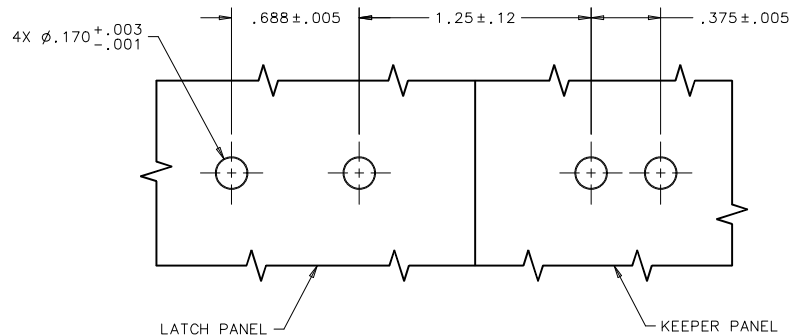
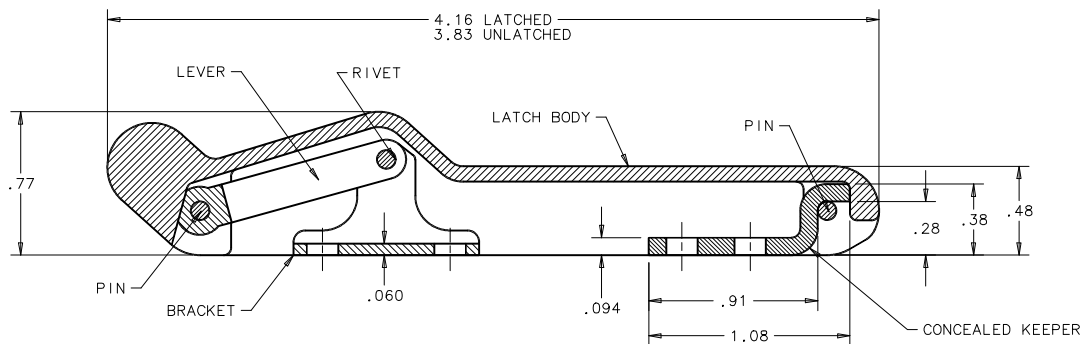
1. LATCH SUBASSEMBLY MATERIAL AND FINISH:

LEVER: GLASS REINFORCED NYLON, BLACK  
 PINS: 300 SERIES STAINLESS STEEL, PASSIVATED  
 RIVET: 430 STAINLESS STEEL, PASSIVATED  
 BRACKET: 304 STAINLESS STEEL, PASSIVATED

LATCH BODY / BUSHING MATERIAL AND COLOR			
SUBASSEMBLY PART NUMBER	ITEM	MATERIAL	COLOR
C7-10-15	LATCH BODY	THERMOPLASTIC ELASTOMER	BLACK
	BUSHING	GLASS REINFORCED NYLON	
C7-10-15-02	LATCH BODY	UV RESISTANT THERMOPLASTIC ELASTOMER	APPLIANCE WHITE
	BUSHING	GLASS REINFORCED NYLON	
C7-10-15-04	LATCH BODY	THERMOPLASTIC ELASTOMER	GRAY (RAL 7040)
	BUSHING	GLASS REINFORCED NYLON	

2. LATCH APPLIES APPROX. 16 lb STEADY STATE CLAMP LOAD AT ROOM TEMPERATURE.

3. LATCH SUBASSEMBLY IS SUPPLIED WITHOUT KEEPER.



**PANEL PREPARATION**

(MOUNT USING 4mm OR 5/32 DIAMETER RIVETS OR No. 8 OR M4 SIZE HARDWARE.)

