



PROPRIETARY ITEM - EXCEPT FOR USES EXPRESSLY GRANTED IN WRITING INFORMATION DISCLOSED HEREON IS CONFIDENTIAL AND ALL RIGHTS PATENT AND OTHERWISE ARE RESERVED BY SOUTHCO, INC.

ALIGNMENT KEYING PIN - (rA1)
ATCA - BACKPLANE

| DATE | DRAWN | CHKD | SCALE |
|-------------|-------|------|-------|
| 21 JUN 2006 | DLH | XXX | 3:1 |

DRAWING NUMBER
J-CN-81

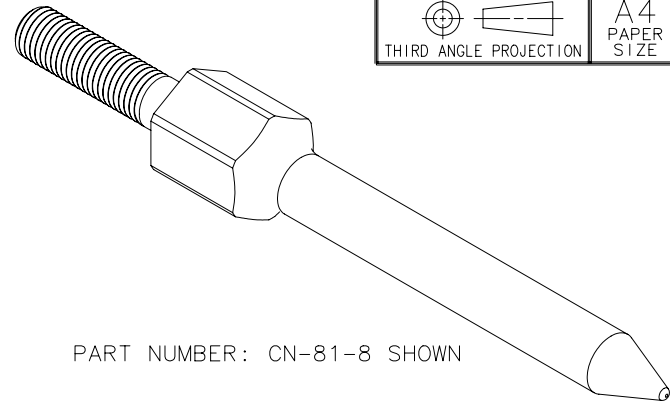
| REV | DATE | DRAWN/CHKD | DESCRIPTION | PART NUMBER | MATERIAL | FINISH | "A" | "B" | BACKPLANE THICKNESS |
|-----|-----------|------------|-------------------------|-------------|------------|------------|-----|------|---------------------|
| A | 01SEP2006 | DLH | RELEASED FOR PRODUCTION | CN-81-4 | SEE NOTE A | SEE NOTE A | 4mm | 6mm | 3.0mm - 4.0mm |
| B | 16JAN2007 | DLH/MJS | PRN: P2007-0094 | CN-81-6 | SEE NOTE A | SEE NOTE A | 6mm | 8mm | 4.0mm - 6.0mm |
| | | | | CN-81-8 | SEE NOTE A | SEE NOTE A | 8mm | 10mm | 6.0mm - 8.0mm |

MILLIMETERS
ALL DIMENSIONS WITHOUT TOLERANCES ARE FOR REFERENCE ONLY.

THIRD ANGLE PROJECTION A4 PAPER SIZE

NOTES:

- A. MATERIAL AND FINISH:
BRASS, NICKEL PLATE PER SAE-AMS QQ-N-290 CLASS 1 GRADE G.
- B. ALIGNMENT PIN CONFORMS TO: AdvancedTCA[®] PICMG[®] 3.0 Revision 2.0
AdvancedTCA[®] Base Specification (March 18, 2005)
- C. COSMETIC SPECIFICATION:
ALL SURFACES UNLESS OTHERWISE NOTED ARE TO CONFORM TO A CLASS "C" DESIGNATION AS DESCRIBED IN SOUTHCO COSMETIC SPECIFICATION: S-121-02 FOR ZINC PLATING
- D. RoHS COMPLIANT.
- E. PACKAGING: SHIPPED BULK.
- F. PICMG AND THE PICMG LOGO ARE REGISTERED TRADEMARKS OF THE PCI INDUSTRIAL COMPUTERS MANUFACTURERS GROUP.
- G. AdvancedTCA, ATCA AND THE AdvancedTCA AND ATCA LOGOS ARE TRADEMARKS OF THE PCI INDUSTRIAL COMPUTERS MANUFACTURERS GROUP.
- H. CN-81-4, CN-81-6, & CN-81-8 MATES WITH SOUTHCO PART NUMBER CN-79.



PART NUMBER: CN-81-8 SHOWN

