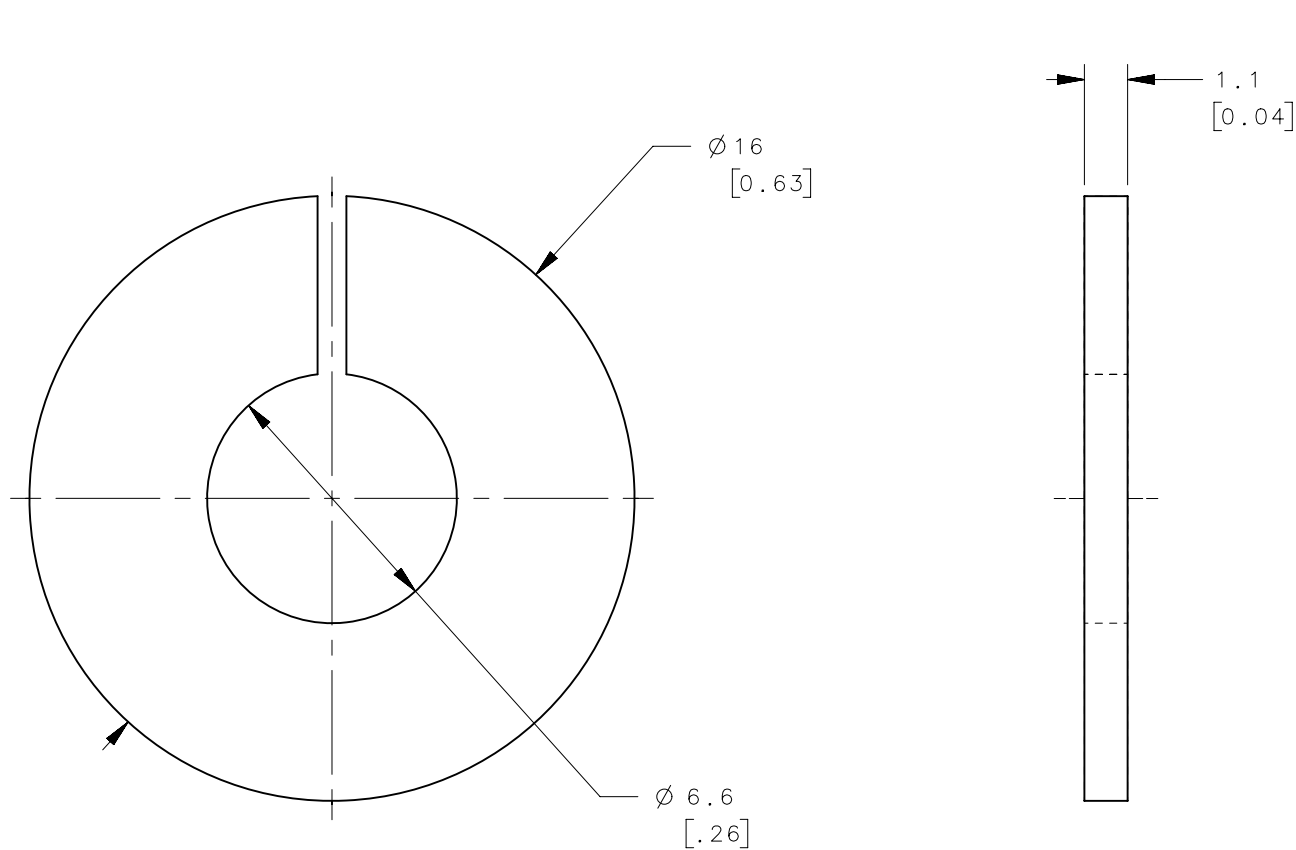
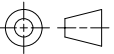



REVISION HISTORY			
REV	DATE	BY	DESCRIPTION
C	07AUG2013	JRH/CMS	PRN: P2013-1570



SCALE 1:1

D1-004-000-040		ACETAL COPOLYMER	NATURAL
D1-004-000-010		ACETAL COPOLYMER	BLACK
SOUTHCO PART NUMBER		MATERIAL	FINISH
THIRD ANGLE PROJECTION 		 CONNECT • CREATE • INNOVATE	
MILLIMETERS [IN]			
TOLERANCES UNLESS OTHERWISE NOTED		DESCRIPTION D1 DART RETAINER	
ALL DIMENSIONS WITHOUT TOLERANCES ARE FOR REFERENCE ONLY.		SIZE A4	SYSTEM NX
PER ASME Y14.5M-1994		DATE 28AUG2009	DWG NO. J-D1-004-000-010
PROPRIETARY ITEM <small>EXCEPT FOR USES EXPRESSLY GRANTED IN WRITING, INFORMATION DISCLOSED HEREON IS CONFIDENTIAL AND ALL RIGHTS, PATENT AND OTHERWISE, ARE RESERVED BY SOUTHCO, INC.</small>		DRAWN BY ACH/MJS	SCALE 5:1
			SHEET 1 OF 1