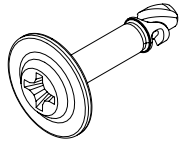


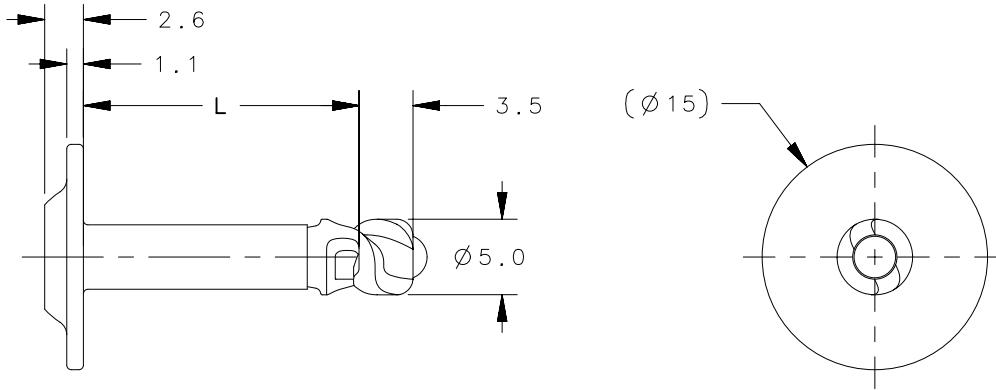
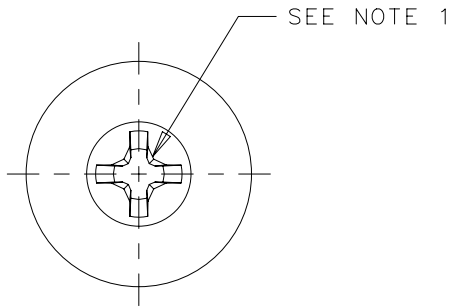
SOUTHCO PART NO.	STUD DIMENSION L'	SOUTHCO PART NO.	STUD DIMENSION L'
D2-515-1308-1XX	8.0	D2-515-1325-1XX	25.0
D2-515-1309-1XX	9.0	D2-515-1326-1XX	26.0
D2-515-1310-1XX	10.0	D2-515-1327-1XX	27.0
D2-515-1311-1XX	11.0	D2-515-1328-1XX	28.0
D2-515-1312-1XX	12.0	D2-515-1329-1XX	29.0
D2-515-1313-1XX	13.0	D2-515-1330-1XX	30.0
D2-515-1314-1XX	14.0	D2-515-1331-1XX	31.0
D2-515-1315-1XX	15.0	D2-515-1332-1XX	32.0
D2-515-1316-1XX	16.0	D2-515-1333-1XX	33.0
D2-515-1317-1XX	17.0	D2-515-1334-1XX	34.0
D2-515-1318-1XX	18.0	D2-515-1335-1XX	35.0
D2-515-1319-1XX	19.0	D2-515-1336-1XX	36.0
D2-515-1320-1XX	20.0	D2-515-1337-1XX	37.0
D2-515-1321-1XX	21.0	D2-515-1338-1XX	38.0
D2-515-1322-1XX	22.0	D2-515-1339-1XX	39.0
D2-515-1323-1XX	23.0	D2-515-1340-1XX	40.0
D2-515-1324-1XX	24.0		

REVISION HISTORY			
REV	DATE	BY	DESCRIPTION
A	16JUN2016	DKM/YGC	PRN: P2016-1394



SCALE 1:1

'XX' SUFFIX NUMBER	FINISH
30	SILVER ORGANIC - CHROME FREE
31	BLACK ORGANIC -CHROME FREE
51	BLACK ZYLAN
90	ZINC PLATE NO TRIVALENT PASSIVATE



D2-515-13XX-1XX	#5 RAPIER STUD	CARBON STEEL	SEE TABLE
SOUTHCO PART NUMBER	TYPE OF COMPONENT	MATERIAL	FINISH

THIRD ANGLE PROJECTION		 CONNECT • CREATE • INNOVATE	
MILLIMETERS [IN]			
TOLERANCES UNLESS OTHERWISE NOTED		DESCRIPTION	
ALL DIMENSIONS WITHOUT TOLERANCES ARE FOR REFERENCE ONLY.		#5 RAPIER STUD	
PROPRIETARY ITEM	PER ASME Y14.5M-1994	SIZE A4	SYSTEM NX
EXCEPT FOR USES EXPRESSLY GRANTED IN WRITING, INFORMATION DISCLOSED HEREON IS CONFIDENTIAL AND ALL RIGHTS, PATENT AND OTHERWISE, ARE RESERVED BY SOUTHCO, INC.		DWG NO.	J-D2-515-13XX-1XX
		DRAWN BY	DKM/YGC
		DATE	16JUN2016
		SCALE	2:1
		SHEET	1 OF 1

NOTES:
1. No 3 PHILLIPS RECESS NOT ORIENTED WITH CAM.