

southco

PROPRIETARY ITEM - EXCEPT FOR USES EXPRESSLY GRANTED IN WRITING INFORMATION DISCLOSED HEREON IS CONFIDENTIAL AND ALL RIGHTS PATENT AND OTHERWISE ARE RESERVED BY SOUTHCO, INC.

TITLE PANEX SIZE 6 STUD

DATE	CHKD	SCALE	DRAWING NUMBER
30-07-09	DME	2:1	J-03-316-7XX-1XX

REV	DATE	DRAWN/CHKD	DESCRIPTION	PART NUMBER	MATERIAL	FINISH	HEAT TREAT
A	30-07-09	D. Etheridge	DRAWING REQUEST	03-316-7XX-1XX	CARBON STEEL	SEE CHART	CASE HARDEN

MILLIMETERS

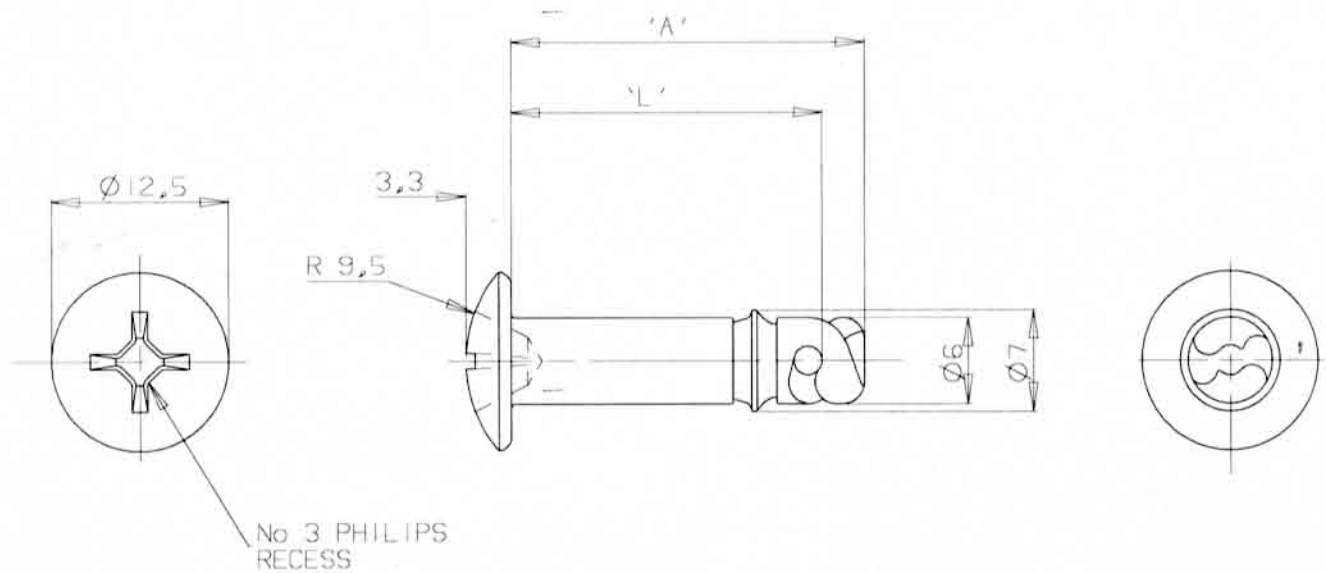
ALL UNTOLERANCED DIMENSIONS ARE FOR REFERENCE

THIRD ANGLE PROJECTION

A3 PAPER SIZE

INDICATES DIMENSION WITH SIGNIFICANT CHARACTERISTIC

FILE No. XX



No 3 PHILIPS RECESS

SUFFIX	FINISH
-130	SILVER ORGANIC - ZINC PHOSPHATE
-131	BLACK ORGANIC - ZINC PHOSPHATE
-133	SILVER ORGANIC - ZINC PHOSPHATE
-164	SILVER ORGANIC - ZINC PHOSPHATE
-170	BRIGHT CHROME PLATE
-190	ZINC PLATE AND TRIVALENT PASSIVATE
-191	ZINC PLATE AND BLACK PASSIVATE

PART No.	'L'	'A'
03-316-707-1XX	7	10
03-316-708-1XX	8	11
03-316-709-1XX	9	12
03-316-710-1XX	10	13
03-316-711-1XX	11	14
03-316-712-1XX	12	15
03-316-713-1XX	13	16
03-316-714-1XX	14	17
03-316-715-1XX	15	18
03-316-716-1XX	16	19
03-316-717-1XX	17	20
03-316-718-1XX	18	21
03-316-719-1XX	19	22
03-316-720-1XX	20	23
03-316-721-1XX	21	24

PART No.	'L'	'A'
03-316-722-1XX	22	25
03-316-723-1XX	23	26
03-316-724-1XX	24	27
03-316-725-1XX	25	28
03-316-726-1XX	26	29
03-316-727-1XX	27	30
03-316-728-1XX	28	31
03-316-729-1XX	29	32
03-316-730-1XX	30	33
03-316-731-1XX	31	34
03-316-732-1XX	32	35
03-316-733-1XX	33	36
03-316-734-1XX	34	37
03-316-735-1XX	35	38
03-316-736-1XX	36	39

PART No.	'L'	'A'
03-316-737-1XX	37	40
03-316-738-1XX	38	41
03-316-739-1XX	39	42
03-316-740-1XX	40	43
03-316-741-1XX	41	44
03-316-742-1XX	42	45
03-316-743-1XX	43	46
03-316-744-1XX	44	47
03-316-745-1XX	45	48
03-316-746-1XX	46	49