

6

5

4

3

2

1

REVISION HISTORY			
REV	DATE	BY	DESCRIPTION
B	16OCT2018	CMS/JW	PRN: P2018-2382

SEE SHEET 2 OF 2 FOR DFCI / DZUS / SOUTHCO  
PART NUMBER CROSS REFERENCE TABLE

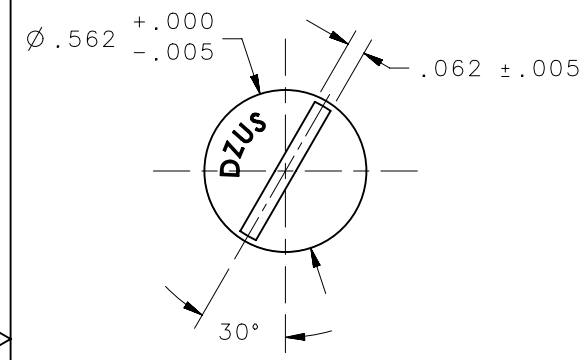
PART NUMBER

D4 - X 5T K NA

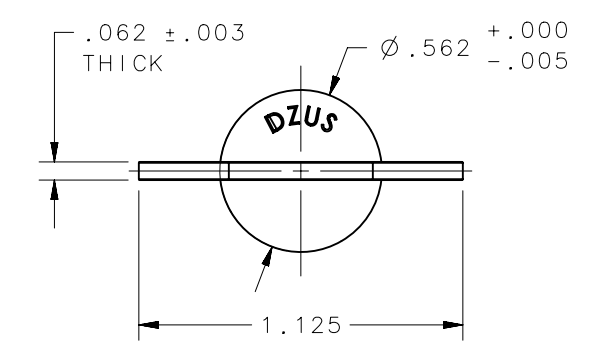
HEAD STYLE ←

- A - OVAL HEAD, SLOTTED
- AW - WING HEAD
- F - FLUSH, SLOTTED

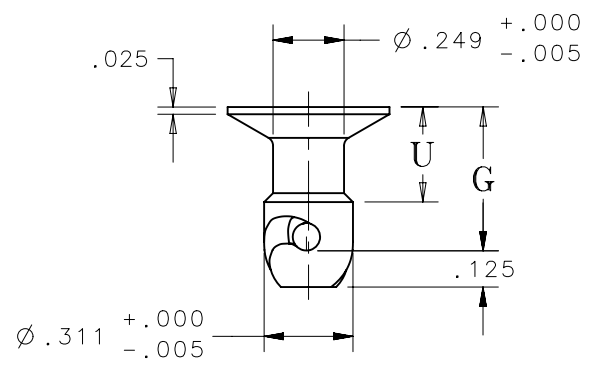
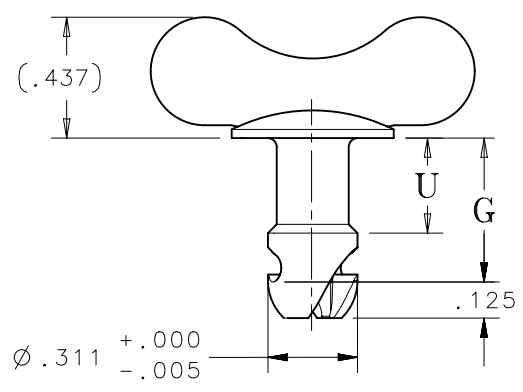
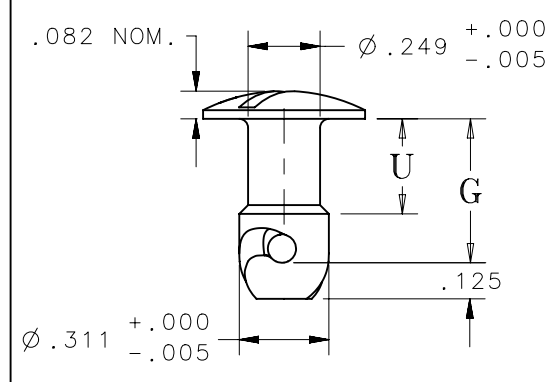
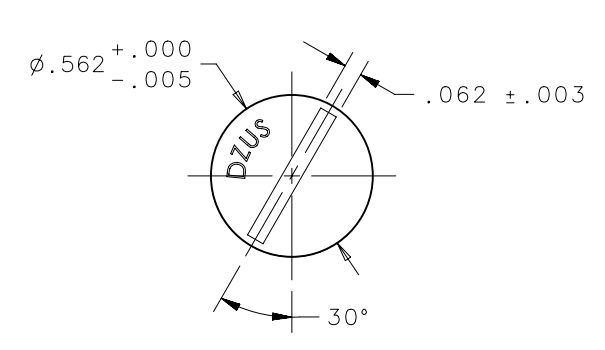
**OVAL  
A**



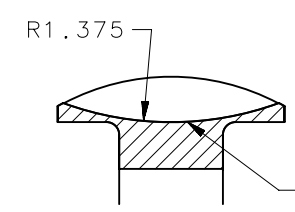
**WINGED  
AW**



**FLUSH  
F**

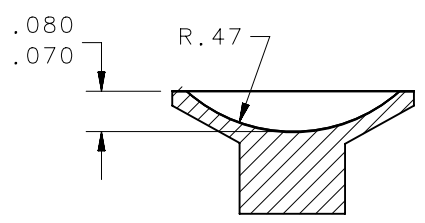


TOTAL MATERIAL THICKNESS (TMT)	K	STUD LENGTH G	STUD DIM. U
.021 - .050	5	.350	.170
.051 - .080	8	.380	.210
.081 - .110	11	.410	.250
.111 - .140	14	.440	.250
.141 - .170	17	.470	.290
.171 - .200	20	.500	.330
.201 - .230	23	.530	.370
.231 - .260	26	.560	.370
.240 - .270	27	.570	.410
.261 - .290	29	.590	.410
.291 - .320	32	.620	.450
.321 - .350	35	.650	.490
.351 - .380	38	.680	.490
.381 - .410	41	.710	.530
.411 - .440	44	.740	.570
.441 - .470	47	.770	.610
.471 - .500	50	.800	.610
.501 - .530	53	.830	.650
.531 - .560	56	.860	.690



BOTTOM OF SLOT TO BE TANGENT TO UNDERSIDE OF HEAD +.000  
-.010

SLOT DETAIL



SLOT DETAIL

NOTES:

- A. SEE J-D5-0-3 FOR FINISH INFORMATION.
- B. CASE HARDENED STEEL = 8620 STEEL HEAT TREATED TO ROCKWELL C30-38.

THIRD ANGLE PROJECTION		<b>southco</b> <sup>®</sup> CONNECT • CREATE • INNOVATE	
CAGE CODE 72794			
INCHES [MM]		DESCRIPTION	
TOLERANCES UNLESS OTHERWISE NOTED		D4 SUPERSONIC QUARTER TURN FASTENER	
X°	±2°	SIZE	SYSTEM
X/X	±1/32	B	NX
.XX	±.015	DWG NO.	J-D4-A5TNA
.XXX	±.010	DRAWN BY	CMS/JW
PER ASME Y14.5M-1994		DATE	06SEP2016
		SCALE	1.5:1
		SHEET	1 OF 2

6

5

4

3

2

1

6

5

4

3

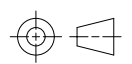

2

1

DFCI PART NUMBER	DZUS PART NUMBER	SOUTHCO PART NUMBER	MATERIAL
2501-20-11-C3Y	A5T11CBY	D4-A5T11CBYNA	CASE HARDENED STEEL
2501-20-11D-C3Y	A5T11DCBY	D4-A5T11DCBYNA	CASE HARDENED STEEL
2501-20-11-Z3CT	A5T11ZCT	D4-A5T11ZCTNA	CASE HARDENED STEEL
2501-20-14-C3C	A5T14CBC	D4-A5T14CBCNA	CASE HARDENED STEEL
2501-20-14-C3Y	A5T14CBY	D4-A5T14CBYNA	CASE HARDENED STEEL
2501-20-14D18S-PAS	A5T14DSS18PS	D4-A5T14DSS18PSNA	STAINLESS STEEL
2501-20-14D-C3Y	A5T14DCBY	D4-A5T14DCBYNA	CASE HARDENED STEEL
2501-20-14-Z3CT	A5T14ZCT	D4-A5T14ZCTNA	CASE HARDENED STEEL
2501-20-17-C3C	A5T17CBC	D4-A5T17CBCNA	CASE HARDENED STEEL
2501-20-17-C3Y	A5T17CBY	D4-A5T17CBYNA	CASE HARDENED STEEL
2501-20-17D18S-PAS	A5T17DSS18PS	D4-A5T17DSS18PSNA	STAINLESS STEEL
2501-20-17D-C3Y	A5T17DCBY	D4-A5T17DCBYNA	CASE HARDENED STEEL
2501-20-17-Z3CT	A5T17ZCT	D4-A5T17ZCTNA	CASE HARDENED STEEL
2501-20-20-C3C	A5T20CBC	D4-A5T20CBCNA	CASE HARDENED STEEL
2501-20-20D18S-PAS	A5T20DSS18PS	D4-A5T20DSS18PSNA	STAINLESS STEEL
2501-20-20D-C3Y	A5T20DCBY	D4-A5T20DCBYNA	CASE HARDENED STEEL
2501-20-20-Z3CT	A5T20ZCT	D4-A5T20ZCTNA	CASE HARDENED STEEL
2501-20-23-C3C	A5T23CBC	D4-A5T23CBCNA	CASE HARDENED STEEL
2501-20-23D18S-PAS	A5T23DSS18PS	D4-A5T23DSS18PSNA	STAINLESS STEEL
2501-20-23D-C3Y	A5T23DCBY	D4-A5T23DCBYNA	CASE HARDENED STEEL
2501-20-23-Z3CT	A5T23ZCT	D4-A5T23ZCTNA	CASE HARDENED STEEL
2501-20-26-C3C	A5T26CBC	D4-A5T26CBCNA	CASE HARDENED STEEL
2501-20-26D-18S	A5T26DSS18S	D4-A5T26DSS18SNA	STAINLESS STEEL
2501-20-26D18S-PAS	A5T26DSS18PS	D4-A5T26DSS18PSNA	STAINLESS STEEL
2501-20-26D-C3Y	A5T26DCBY	D4-A5T26DCBYNA	CASE HARDENED STEEL
2501-20-26-Z3CT	A5T26ZCT	D4-A5T26ZCTNA	CASE HARDENED STEEL
2501-20-27-Z3CT	A5T27ZCT	D4-A5T27ZCTNA	CASE HARDENED STEEL
2501-20-29-C3C	A5T29CBC	D4-A5T29CBCNA	CASE HARDENED STEEL
2501-20-29D18S-PAS	A5T29DSS18PS	D4-A5T29DSS18PSNA	STAINLESS STEEL
2501-20-29D-C3Y	A5T29DCBY	D4-A5T29DCBYNA	CASE HARDENED STEEL
2501-20-29-Z3CT	A5T29ZCT	D4-A5T29ZCTNA	CASE HARDENED STEEL
2501-20-32-C3C	A5332CBC	D4-A5332CBCNA	CASE HARDENED STEEL
2501-20-32D18S-PAS	A5T32DSS18PS	D4-A5T32DSS18PSNA	STAINLESS STEEL
2501-20-32D-C3Y	A5T32DCBY	D4-A5T32DCBYNA	CASE HARDENED STEEL
2501-20-32-Z3CT	A5T32ZCT	D4-A5T32ZCTNA	CASE HARDENED STEEL
2501-20-32-Z3YT	A5T32ZYT	D4-A5T32ZYTNA	CASE HARDENED STEEL
2501-20-35-C3C	A5T35CBC	D4-A5T35CBCNA	CASE HARDENED STEEL
2501-20-35D18S-PAS	A5T35DSS18PS	D4-A5T35DSS18PSNA	STAINLESS STEEL
2501-20-35D-C3Y	A5T35DCBY	D4-A5T35DCBYNA	CASE HARDENED STEEL
2501-20-38-C3C	A5T38CBC	D4-A5T38CBCNA	CASE HARDENED STEEL
2501-20-38-C3Y	A5T38CBY	D4-A5T38CBYNA	CASE HARDENED STEEL
2501-20-38D-C3Y	A5T38DCBY	D4-A5T38DCBYNA	CASE HARDENED STEEL
2501-20-38-Z3CT	A5T38ZCT	D4-A5T38ZCTNA	CASE HARDENED STEEL
2501-20-41-C3C	A5T41CBC	D4-A5T41CBCNA	CASE HARDENED STEEL
2501-20-41-C3Y	A5T41CBY	D4-A5T41CBYNA	CASE HARDENED STEEL
2501-20-41D-C3Y	A5T41DCBY	D4-A5T41DCBYNA	CASE HARDENED STEEL
2501-20-41-Z3CT	A5T41ZCT	D4-A5T41ZCTNA	CASE HARDENED STEEL
2501-20-47-C3Y	A5T47CBY	D4-A5T47CBYNA	CASE HARDENED STEEL
2501-20-50D-C3Y	A5T50DCBY	D4-A5T50DCBYNA	CASE HARDENED STEEL
2501-20-56D-C3Y	A5T56DCBY	D4-A5T56DCBYNA	CASE HARDENED STEEL
2501-20-5D-C3Y	A5T5DCBY	D4-A5T5DCBYNA	CASE HARDENED STEEL
2501-20-62-C3C	A5T62CBC	D4-A5T62CBCNA	CASE HARDENED STEEL
2501-20-8-C3C	A5T8CBC	D4-A5T8CBCNA	CASE HARDENED STEEL
2501-20-8-C3Y	A5T8CBY	D4-A5T8CBYNA	CASE HARDENED STEEL
2501-20-8D18S-PAS	A5T8DSS18PS	D4-A5T8DSS18PSNA	STAINLESS STEEL
2501-20-8D-C3Y	A5T8DCBY	D4-A5T8DCBYNA	CASE HARDENED STEEL
2501-20-8-Z3CT	A5T8ZCT	D4-A5T8ZCTNA	CASE HARDENED STEEL
2501-W20-11-C3C	AW5T11CBC	D4-AW5T11CBCNA	CASE HARDENED STEEL
2501-W20-11D18S-PAS	AW5T11DSS18PS	D4-AW5T11DSS18PSNA	STAINLESS STEEL
2501-W20-11D-C3Y	AW5T11DCBY	D4-AW5T11DCBYNA	CASE HARDENED STEEL
2501-W20-14-C3C	AW5T14CBC	D4-AW5T14CBCNA	CASE HARDENED STEEL

REVISION HISTORY			
REV	DATE	BY	DESCRIPTION
B	16OCT2018	CMS/JW	PRN: P2018-2382

DFCI PART NUMBER	DZUS PART NUMBER	SOUTHCO PART NUMBER	MATERIAL
2501-W20-14-C3C	AW5T14CBC	D4-AW5T14CBCNA	CASE HARDENED STEEL
2501-W20-14D18S-PAS	AW5T14DSS18PS	D4-AW5T14DSS18PSNA	STAINLESS STEEL
2501-W20-14D-C3Y	AW5T14DCBY	D4-AW5T14DCBYNA	CASE HARDENED STEEL
2501-W20-17-C3C	AW5T17CBC	D4-AW5T17CBCNA	CASE HARDENED STEEL
2501-W20-17D18S-PAS	AW5T17DSS18PS	D4-AW5T17DSS18PSNA	STAINLESS STEEL
2501-W20-17D-C3Y	AW5T17DCBY	D4-AW5T17DCBYNA	CASE HARDENED STEEL
2501-W20-17-Z3CT	AW5T17ZCT	D4-AW5T17ZCTNA	CASE HARDENED STEEL
2501-W20-20-C3C	AW5T20CBC	D4-AW5T20CBCNA	CASE HARDENED STEEL
2501-W20-20D18S-PAS	AW5T20DSS18PS	D4-AW5T20DSS18PSNA	STAINLESS STEEL
2501-W20-20D-C3Y	AW5T20DCBY	D4-AW5T20DCBYNA	CASE HARDENED STEEL
2501-W20-20-Z3CT	AW5T20ZCT	D4-AW5T20ZCTNA	CASE HARDENED STEEL
2501-W20-23-C3Y	AW5T23CBY	D4-AW5T23CBYNA	CASE HARDENED STEEL
2501-W20-23D18S-PAS	AW5T23DSS18PS	D4-AW5T23DSS18PSNA	STAINLESS STEEL
2501-W20-23W18-C3C	AW5T23W18CBC	D4-AW5T23W18CBCNA	CASE HARDENED STEEL
2501-W20-23-Z3CT	AW5T23ZCT	D4-AW5T23ZCTNA	CASE HARDENED STEEL
2501-W20-26D18S-PAS	AW5T26DSS18PS	D4-AW5T26DSS18PSNA	STAINLESS STEEL
2501-W20-26W18-C3C	AW5T26W18CBC	D4-AW5T26W18CBCNA	CASE HARDENED STEEL
2501-W20-26-Z3CT	AW5T26ZCT	D4-AW5T26ZCTNA	CASE HARDENED STEEL
2501-W20-29-C3C	AW5T28CBC	D4-AW5T28CBCNA	CASE HARDENED STEEL
2501-W20-29D18S-PAS	AW5T29DSS18PS	D4-AW5T29DSS18PSNA	STAINLESS STEEL
2501-W20-29D-C3Y	AW5T29DCBY	D4-AW5T29DCBYNA	CASE HARDENED STEEL
2501-W20-32D18S-PAS	AW5T32DSS18PS	D4-AW5T32DSS18PSNA	STAINLESS STEEL
2501-W20-41-C3C	AW5T41CBC	D4-AW5T41CBCNA	CASE HARDENED STEEL
2501-W20-5D-C3Y		D4-AW5T5DCBYNA	CASE HARDENED STEEL
2501-W20-8-C3C	AW5T8CBC	D4-AW5T8CBCNA	CASE HARDENED STEEL
2506-20-11-C3C	AF5T11CBC	D4-F5T11CBCNA	CASE HARDENED STEEL
2506-20-14-C3C	AF5T14CBC	D4-F5T14CBCNA	CASE HARDENED STEEL
2506-20-17-24-C3Y	AF5T1724CBY	D4-F5T1724CBYNA	CASE HARDENED STEEL
2506-20-17-C3C	AF5T17CBC	D4-F5T17CBCNA	CASE HARDENED STEEL
2506-20-20-24-C3Y	AF5T2024CBY	D4-F5T2024CBYNA	CASE HARDENED STEEL
2506-20-23-24-C3Y	AF5T2324CBY	D4-F5T2324CBYNA	CASE HARDENED STEEL
2506-20-23-C3C	AF5T23CBC	D4-F5T23CBCNA	CASE HARDENED STEEL
2506-20-32-24-C3Y	AF5T3224CBY	D4-F5T3224CBYNA	CASE HARDENED STEEL
2506-20-44-24-C3Y	AF5T4424CBY	D4-F5T4424CBYNA	CASE HARDENED STEEL
2506-20-47-24-C3Y	AF5T4724CBY	D4-F5T4724CBYNA	CASE HARDENED STEEL
2506-20-53-C3C	AF5T53CBC	D4-F5T53CBCNA	CASE HARDENED STEEL
2506-20-56-24-C3Y	AF5T5624CBY	D4-F5T5624CBYNA	CASE HARDENED STEEL
2506-20-17-24-C3C	AF5T1724CBC	D4-F5T1724CBCNA	CASE HARDENED STEEL

THIRD ANGLE PROJECTION 	 CONNECT • CREATE • INNOVATE	
TOLERANCES UNLESS OTHERWISE NOTED	DESCRIPTION	
X° ..... ±2°	D4 SUPERSONIC	
X/X ..... ±1/32	QUARTER TURN FASTENER	
.XX ..... ±.015	SIZE B	SYSTEM NX
.XXX ..... ±.010	DWG NO. J-D4-A5TNA	
PER ASME Y14.5M-1994	DRAWN BY CMS/JW	DATE 06SEP2016
	SCALE 1.5:1	SHEET 2 OF 2

6

5

4

3

2

1