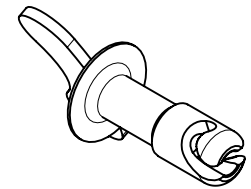
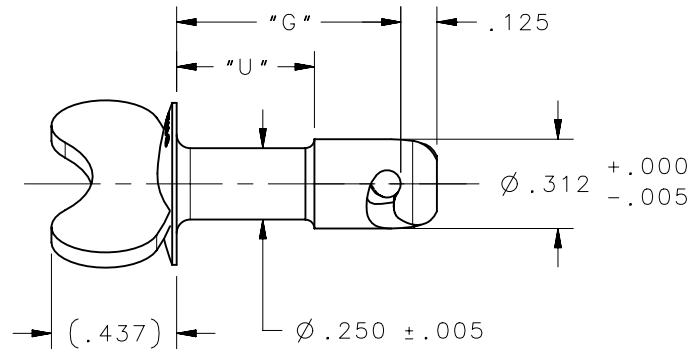
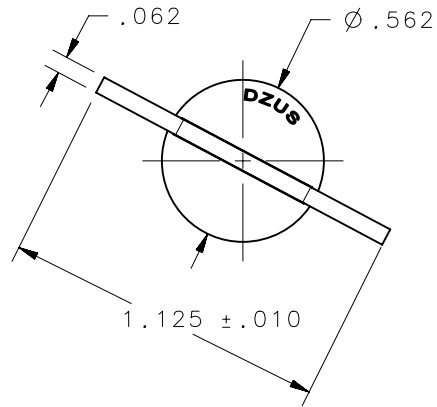


REVISION HISTORY			
REV	DATE	BY	DESCRIPTION
C	09MAY2019	CB1/DMS	PRN: P2019-1193



SCALE 1:1

DFCI PART NO.	SOUTHCO PART NO.	DIM "G"	DIM "U"	MATERIAL	FINISH
121J-W530-Z3C	D4-AJW5-30ZBCNA	0.300	0.125	SEE NOTE A	SEE NOTE C
121J-W530-Z3CT	D4-AJW5-30ZCTNA	0.300	0.125		
121J-W535-Z3C	D4-AJW5-35ZBCNA	0.350	0.125		
121J-W535-Z3CT	D4-AJW5-35ZCTNA	0.350	0.125		
121J-W540-Z3C	D4-AJW5-40ZBCNA	0.400	0.190		
121J-W540-Z3CT	D4-AJW5-40ZCTNA	0.400	0.190		
121J-W545-Z3CT	D4-AJW5-45ZCTNA	0.450	0.190		
121J-W550-Z3C	D4-AJW5-50ZBCNA	0.500	0.250		
121J-W550-Z3CT	D4-AJW5-50ZCTNA	0.500	0.250		
121J-W570-Z3CT	D4-AJW5-70ZCTNA	0.700	0.400		
121J-W590-Z3C	D4-AJW5-90ZBCNA	0.900	0.600	SEE NOTE B	
121J-W5110-SS-PAS	D4-AJW5-110SSPSNA	1.100	0.700		
121J-W5120-SS	D4-AJW5-120SSNA	1.200	0.700		
121J-W530-SS	D4-AJW5-30SSNA	0.300	0.125		
121J-W560-SS	D4-AJW5-60SSNA	0.600	0.300		
121J-W560-SS-PAS	D4-AJW5-60SSPSNA	0.600	0.300		
121J-W545-SS	D4-AJW5-45SSNA	0.450	0.190		
121J-W540-SS	D4-AJW5-40SSNA	0.400	0.190		

NOTES:

- A. STUD: CARBON STEEL, HEAT TREATED
ROCKWELL C27-33
WING: CARBON STEEL.
- B. STUD: STAINLESS STEEL
WING: STAINLESS STEEL
- C. REFER TO J-D5-0-3 FOR FINISH
INFORMATION AND SPECIFICATIONS.

TO	THIRD ANGLE PROJECTION	 CONNECT • CREATE • INNOVATE			
CAGE CODE	72794				
	INCHES [MM]	DESCRIPTION			
	TOLERANCES UNLESS OTHERWISE NOTED	WING STUD			
	X° ±2°	SIZE	SYSTEM	DWG NO.	
	X/X ±1/32	A	NX	J-D4-AJW5NA	
	.XX ±.015	DRAWN BY	DATE	SCALE	SHEET
	.XXX ±.010	CMS/NJF	22SEP2015	1.5:1	1 OF 1
PROPRIETARY ITEM	PER ASME Y14.5M-1994				
EXCEPT FOR USES EXPRESSLY GRANTED IN WRITING, INFORMATION DISCLOSED HEREON IS CONFIDENTIAL AND ALL RIGHTS, PATENT AND OTHERWISE, ARE RESERVED BY SOUTHCO, INC.					