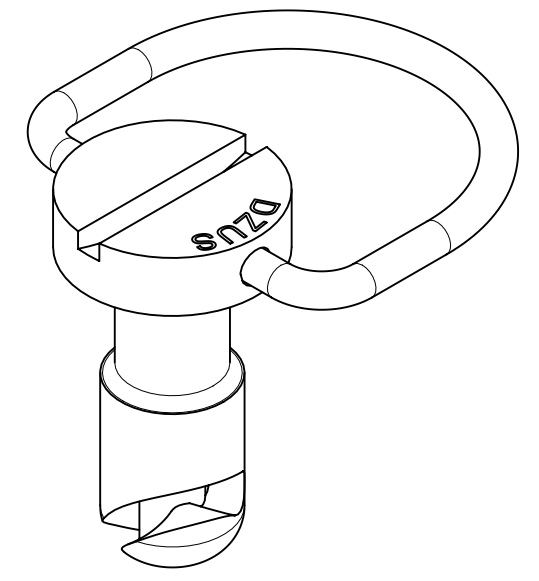
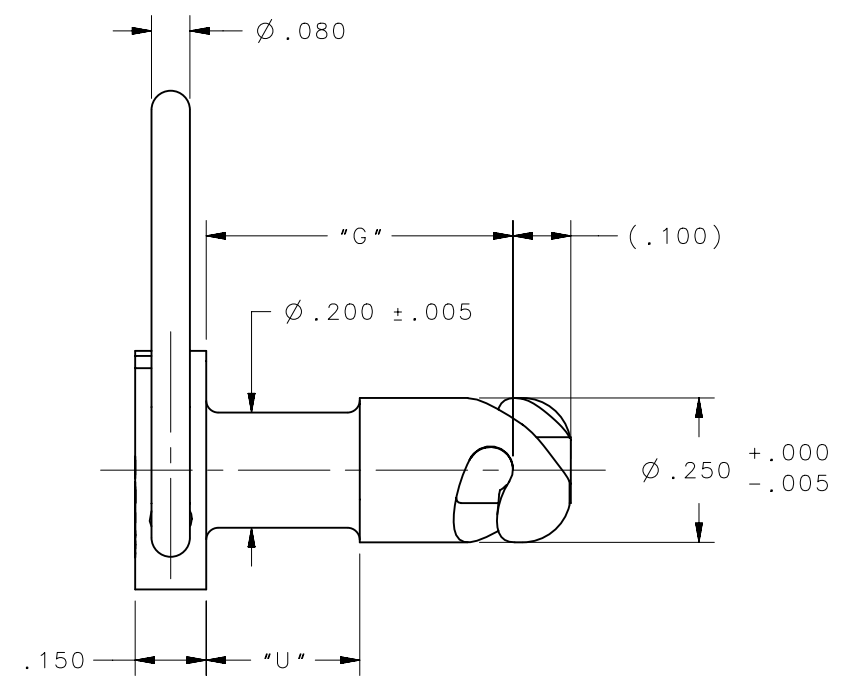
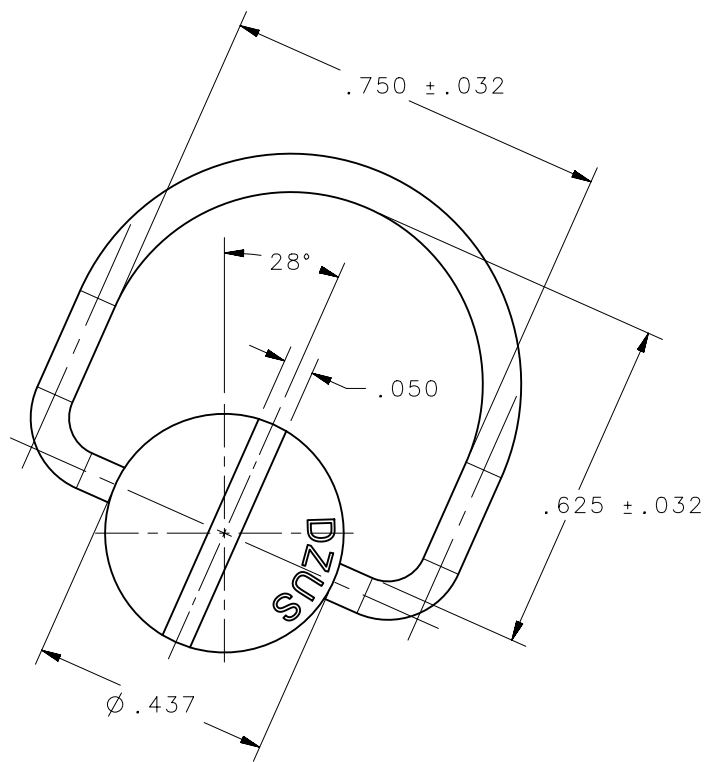


REVISION HISTORY			
REV	DATE	BY	DESCRIPTION
D	19APR2023	BVM/DMS	PRN: P2023-0732



SCALE 4:1

DFCI PART NO.	SOUTHCO PART NO.	DIM "G"	DIM "U"	MATERIAL	FINISH		
122J-R430-Z3C	D4-BJR4-30ZBCNA	0.300	0.100	SEE NOTE A	SEE NOTE C		
122J-R435-Z3C	D4-BJR4-3ZBCNA	0.350	0.150				
122J-R435-Z3CT	D4-BJR4-35ZCTNA	0.350	0.150				
122J-R440-Z3C	D4-BJR4-40ZBCNA	0.400	0.200				
122J-R440-Z3CT	D4-BJR4-40ZCTNA	0.400	0.200				
122J-R440-Z3BT	D4-BJR4-40ZBTNA	0.400	0.200				
122J-R445-Z3C	D4-BJR4-45ZBCNA	0.450	0.225				
122J-R445-Z3CT	D4-BJR4-45ZCTNA	0.450	0.225				
122J-R455-Z3C	D4-BJR4-55ZBCNA	0.550	0.275				
122J-R455-Z3CT	D4-BJR4-55ZCTNA	0.550	0.275				
122J-R460-Z3C	D4-BJR4-60ZBCNA	0.600	0.300				
122J-R465-Z3CT	D4-BJR4-65ZCTNA	0.650	0.350				
122J-R470-Z3C	D4-BJR4-70ZBCNA	0.700	0.350				
122J-R475-Z3C	D4-BJR4-75ZBCNA	0.750	0.400				
122J-R475-Z3CT	D4-BJR4-75ZCTNA	0.750	0.400				
122J-R480-Z3C	D4-BJR4-80ZBCNA	0.800	0.400				
122J-R485-Z3C	D4-BJR4-85ZBCNA	0.850	0.500				
122J-R490-Z3C	D4-BJR4-90ZBCNA	0.900	0.500				
122J-R4120-SS	D4-BJR4-120SSNA	1.200	0.600			SEE NOTE B	
122J-R435-SS	D4-BJR4-35SSNA	0.350	0.150				
122J-R440-SS	D4-BJR4-40SSNA	0.400	0.200				
122J-R445-SS	D4-BJR4-45SSNA	0.450	0.225				
122J-R450-SS	D4-BJR4-50SSNA	0.500	0.250				
122J-R465-SS	D4-BJR4-65SSNA	0.650	0.350				
122J-R465B500-SS-BOF	D4BJR465B500SSBANA	0.650	0.500				

NOTES:

- A. STUD: 8620 STEEL, HEAT TREATED TO ROCKWELL C27-33.
RING: HIGH CARBON STEEL, HEAT TREATED TO ROCKWELL C40-45.
- B. STUD: 303 STAINLESS STEEL
RING: 302 STAINLESS STEEL
- C. SEE J-D5-0-3 FOR FINISH INFORMATION AND SPECIFICATIONS.

THIRD ANGLE PROJECTION		 CONNECT • CREATE • INNOVATE			
INCHES [MM]					
TOLERANCES UNLESS OTHERWISE NOTED		DESCRIPTION			
X°	±2°	BAIL HEAD STUD			
X/X	±1/32				
.XX	±.015				
.XXX	±.010	SIZE	SYSTEM	DWG NO.	
PROPRIETARY ITEM <small>EXCEPT FOR USES EXPRESSLY GRANTED IN WRITING, INFORMATION DISCLOSED HEREON IS CONFIDENTIAL AND ALL RIGHTS, PATENT AND OTHERWISE, ARE RESERVED BY SOUTHCO, INC.</small>		B	NX	J-D4-BJR4NA	
PER ASME Y14.5M-1994		DRAWN BY	DATE	SCALE	SHEET
		CMS/NJF	25SEP2015	4:1	1 OF 1