

6

5

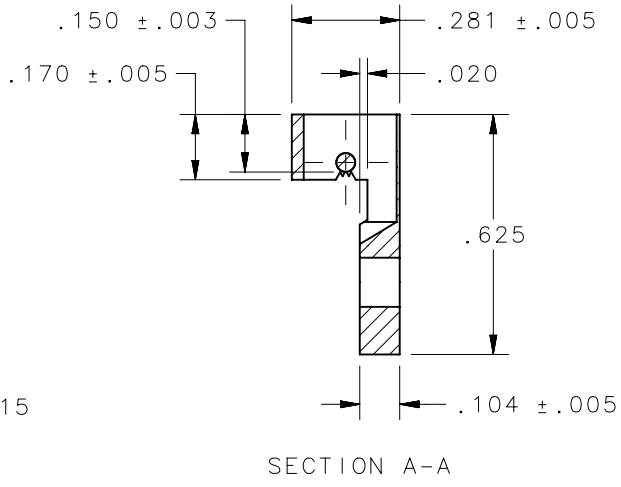
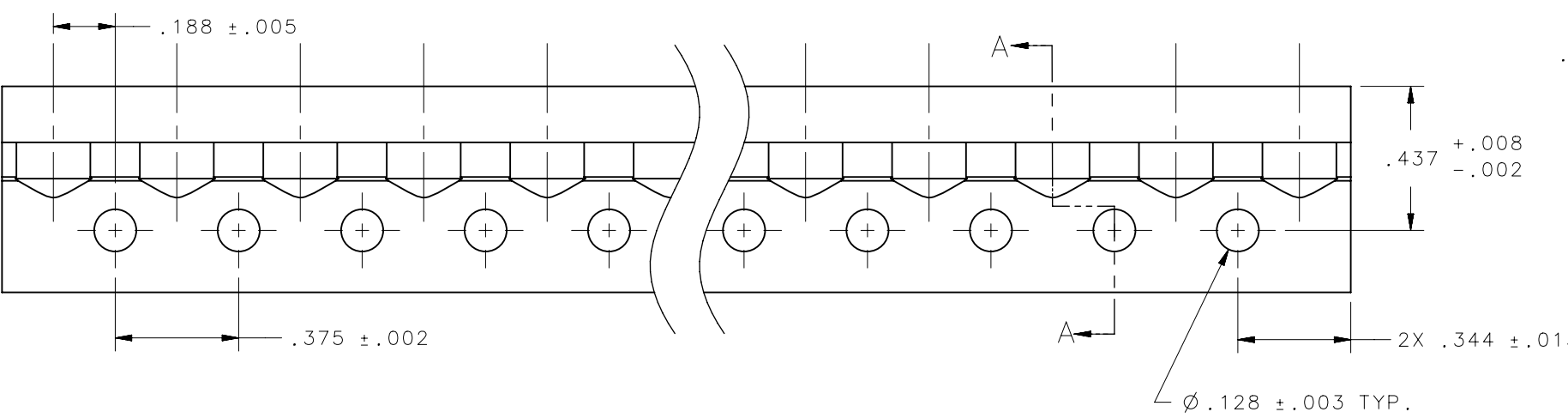
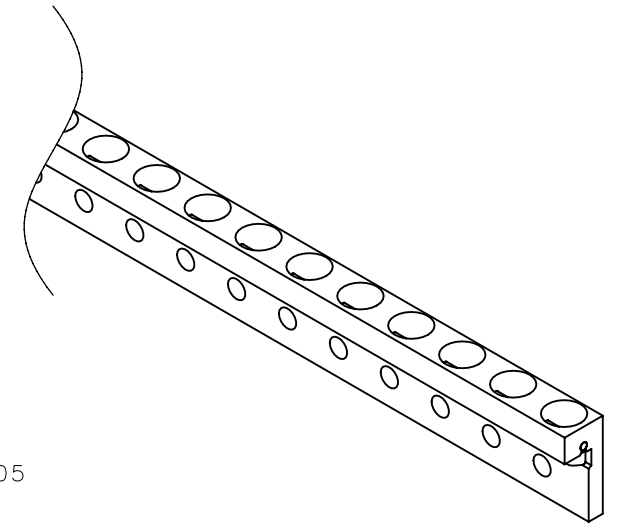
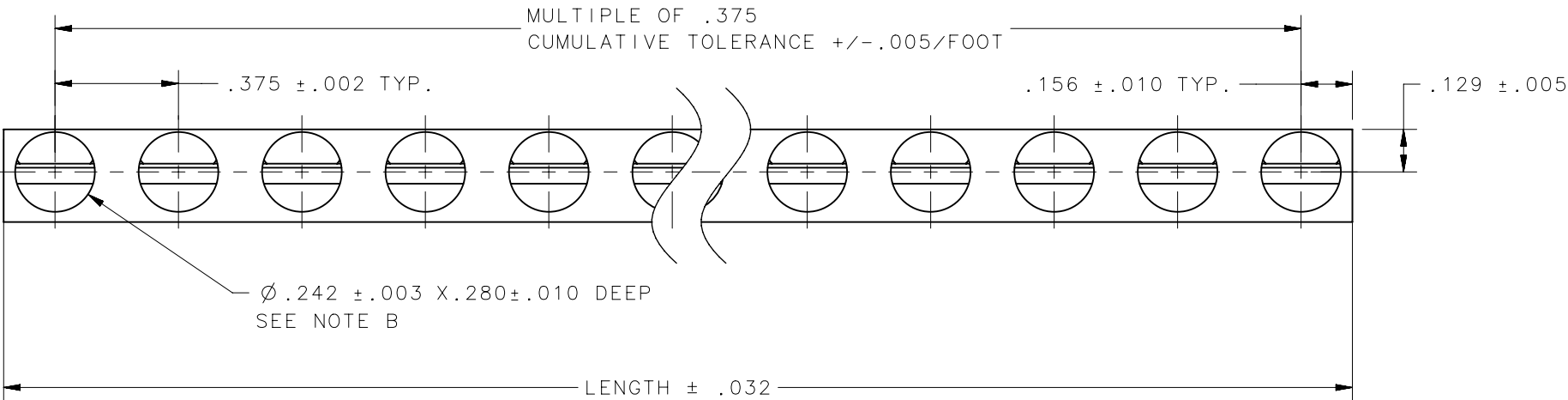
4

3

2

1

| REVISION HISTORY | | | |
|------------------|-----------|--------|-----------------|
| REV | DATE | BY | DESCRIPTION |
| J | 03FEB2023 | ASC/VK | PRN: P2023-0222 |



SCALE 1:1

D5-PR35HXXXYYNA

YYY = FINISH DESIGNATION, SEE NOTE C
 XXX = NUMBER OF HOLES PER STRIP

MIL-F-25173A* APPROVED

* MEETS THE DESIGN, PHYSICAL AND PERFORMANCE REQUIREMENTS OF MIL-F-25173A. HOWEVER, FULL MECHANICAL PROPERTIES TESTING MAY NOT BE PERFORMED ON EACH PRODUCTION LOT.

NOTES:

- MATERIAL:
STRIP: 6061-T6 ALUMINUM PER AMS-QQ-A-200A.
WIRE: Ø.050" 316 SPRING TEMPER, CONDITION B per ASTM A313/A313M.
- SOME DISTORTION MAY ENTER THE Ø.242 HOLE DUE TO STAKING OF WIRE. THIS WILL NOT AFFECT THE FUNCTION OF THE PRODUCT.
- REFER TO J-D5-0-3 FOR FINISH INFORMATION AND SPECIFICATIONS. IF NO (YYY) SUFFIX IS USED, FINISH IS NATURAL.
- SEE SHEET 2, 3 AND 4 FOR DFCI/SOUTHCO PART NUMBER CROSS REFERENCE TABLE.

| | | | |
|-------------------|---------------------|------------|------------|
| WIRE | - | SEE NOTE A | NATURAL |
| STRIP | - | SEE NOTE A | SEE NOTE C |
| ASSEMBLY | SEE TABLE | -- | - |
| TYPE OF COMPONENT | SOUTHCO PART NUMBER | MATERIAL | FINISH |

| | | |
|--|-----------------------------------|--|
| CAGE CODE 72794 | THIRD ANGLE PROJECTION | |
| | INCHES [MM] | |
| PROPRIETARY ITEM EXCEPT FOR USES EXPRESSLY GRANTED IN WRITING, INFORMATION DISCLOSED HEREON IS CONFIDENTIAL AND ALL RIGHTS, PATENT AND OTHERWISE, ARE RESERVED BY SOUTHCO, INC. | TOLERANCES UNLESS OTHERWISE NOTED | DESCRIPTION D5 RIGHT ANGLE RECEPTACLE STRIP |
| | PER ASME Y14.5M-1994 | |
| SIZE B | SYSTEM NX | DWG NO. J-D5-PR35HNA |
| DRAWN BY CMS/NJF | DATE 13JUL2015 | SCALE 2:1 |
| | | SHEET 1 OF 4 |

6

5

4

3

2

1

6

5

4

3

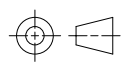
2

1

| REVISION HISTORY | | | |
|------------------|-----------|--------|-----------------|
| REV | DATE | BY | DESCRIPTION |
| J | 03FEB2023 | ASC/VK | PRN: P2023-0222 |

| DFCI Part Number | Southco Part Number | # of Holes | LENGTH (inches) |
|------------------|---------------------|------------|-----------------|
| 3590-H3 | D5-PR35H003NA | 3 | 1.063 |
| 3590-H4 | D5-PR35H004NA | 4 | 1.438 |
| 3590-H5 | D5-PR35H005NA | 5 | 1.813 |
| 3590-H6 | D5-PR35H006NA | 6 | 2.188 |
| 3590-H7 | D5-PR35H007NA | 7 | 2.563 |
| 3590-H8 | D5-PR35H008NA | 8 | 2.938 |
| 3590-H9 | D5-PR35H009NA | 9 | 3.313 |
| 3590-H10 | D5-PR35H010NA | 10 | 3.688 |
| 3590-H11 | D5-PR35H011NA | 11 | 4.063 |
| 3590-H12 | D5-PR35H012NA | 12 | 4.438 |
| 3590-H13 | D5-PR35H013NA | 13 | 4.813 |
| 3590-H14 | D5-PR35H014NA | 14 | 5.188 |
| 3590-H15 | D5-PR35H015NA | 15 | 5.563 |
| 3590-H16 | D5-PR35H016NA | 16 | 5.938 |
| 3590-H17 | D5-PR35H017NA | 17 | 6.313 |
| 3590-H18 | D5-PR35H018NA | 18 | 6.688 |
| 3590-H19 | D5-PR35H019NA | 19 | 7.063 |
| 3590-H20 | D5-PR35H020NA | 20 | 7.438 |
| 3590-H21 | D5-PR35H021NA | 21 | 7.813 |
| 3590-H22 | D5-PR35H022NA | 22 | 8.188 |
| 3590-H23 | D5-PR35H023NA | 23 | 8.563 |
| 3590-H24 | D5-PR35H024NA | 24 | 8.938 |
| 3590-H25 | D5-PR35H025NA | 25 | 9.313 |
| 3590-H26 | D5-PR35H026NA | 26 | 9.688 |
| 3590-H27 | D5-PR35H027NA | 27 | 10.063 |
| 3590-H28 | D5-PR35H028NA | 28 | 10.438 |
| 3590-H29 | D5-PR35H029NA | 29 | 10.813 |
| 3590-H30 | D5-PR35H030NA | 30 | 11.188 |
| 3590-H31 | D5-PR35H031NA | 31 | 11.563 |
| 3590-H32 | D5-PR35H032NA | 32 | 11.938 |
| 3590-H33 | D5-PR35H033NA | 33 | 12.313 |
| 3590-H34 | D5-PR35H034NA | 34 | 12.688 |
| 3590-H35 | D5-PR35H035NA | 35 | 13.063 |
| 3590-H36 | D5-PR35H036NA | 36 | 13.438 |
| 3590-H37 | D5-PR35H037NA | 37 | 13.813 |
| 3590-H38 | D5-PR35H038NA | 38 | 14.188 |
| 3590-H39 | D5-PR35H039NA | 39 | 14.563 |
| 3590-H40 | D5-PR35H040NA | 40 | 14.938 |
| 3590-H41 | D5-PR35H041NA | 41 | 15.313 |
| 3590-H42 | D5-PR35H042NA | 42 | 15.688 |
| 3590-H43 | D5-PR35H043NA | 43 | 16.063 |
| 3590-H44 | D5-PR35H044NA | 44 | 16.438 |
| 3590-H45 | D5-PR35H045NA | 45 | 16.813 |
| 3590-H46 | D5-PR35H046NA | 46 | 17.188 |
| 3590-H47 | D5-PR35H047NA | 47 | 17.563 |
| 3590-H48 | D5-PR35H048NA | 48 | 17.938 |
| 3590-H49 | D5-PR35H049NA | 49 | 18.313 |
| 3590-H50 | D5-PR35H050NA | 50 | 18.688 |
| 3590-H51 | D5-PR35H051NA | 51 | 19.063 |

| DFCI PART NUMBER | SOUTHCO PART NUMBER | # OF HOLES | LENTH (INCHES) |
|------------------|---------------------|------------|----------------|
| 3590-H52 | D5-PR35H052NA | 52 | 19.438 |
| 3590-H53 | D5-PR35H053NA | 53 | 19.813 |
| 3590-H54 | D5-PR35H054NA | 54 | 20.188 |
| 3590-H55 | D5-PR35H055NA | 55 | 20.563 |
| 3590-H56 | D5-PR35H056NA | 56 | 20.938 |
| 3590-H57 | D5-PR35H057NA | 57 | 21.313 |
| 3590-H58 | D5-PR35H058NA | 58 | 21.688 |
| 3590-H59 | D5-PR35H059NA | 59 | 22.063 |
| 3590-H60 | D5-PR35H060NA | 60 | 22.438 |
| 3590-H61 | D5-PR35H061NA | 61 | 22.813 |
| 3590-H62 | D5-PR35H062NA | 62 | 23.188 |
| 3590-H63 | D5-PR35H063NA | 63 | 23.563 |
| 3590-H64 | D5-PR35H064NA | 64 | 23.938 |
| 3590-H65 | D5-PR35H065NA | 65 | 24.313 |
| 3590-H66 | D5-PR35H066NA | 66 | 24.688 |
| 3590-H67 | D5-PR35H067NA | 67 | 25.063 |
| 3590-H68 | D5-PR35H068NA | 68 | 25.438 |
| 3590-H69 | D5-PR35H069NA | 69 | 25.813 |
| 3590-H70 | D5-PR35H070NA | 70 | 26.188 |
| 3590-H71 | D5-PR35H071NA | 71 | 26.563 |
| 3590-H72 | D5-PR35H072NA | 72 | 26.938 |
| 3590-H73 | D5-PR35H073NA | 73 | 27.313 |
| 3590-H74 | D5-PR35H074NA | 74 | 27.688 |
| 3590-H75 | D5-PR35H075NA | 75 | 28.063 |
| 3590-H76 | D5-PR35H076NA | 76 | 28.438 |
| 3590-H77 | D5-PR35H077NA | 77 | 28.813 |
| 3590-H78 | D5-PR35H078NA | 78 | 29.188 |
| 3590-H79 | D5-PR35H079NA | 79 | 29.563 |
| 3590-H80 | D5-PR35H080NA | 80 | 29.938 |
| 3590-H81 | D5-PR35H081NA | 81 | 30.313 |
| 3590-H82 | D5-PR35H082NA | 82 | 30.688 |
| 3590-H83 | D5-PR35H083NA | 83 | 31.063 |
| 3590-H84 | D5-PR35H084NA | 84 | 31.438 |
| 3590-H85 | D5-PR35H085NA | 85 | 31.813 |
| 3590-H86 | D5-PR35H086NA | 86 | 32.188 |
| 3590-H87 | D5-PR35H087NA | 87 | 32.563 |
| 3590-H88 | D5-PR35H088NA | 88 | 32.938 |
| 3590-H89 | D5-PR35H089NA | 89 | 33.313 |
| 3590-H90 | D5-PR35H090NA | 90 | 33.688 |
| 3590-H91 | D5-PR35H091NA | 91 | 34.063 |
| 3590-H92 | D5-PR35H092NA | 92 | 34.438 |
| 3590-H93 | D5-PR35H093NA | 93 | 34.813 |
| 3590-H94 | D5-PR35H094NA | 94 | 35.188 |
| 3590-H95 | D5-PR35H095NA | 95 | 35.563 |
| 3590-H96 | D5-PR35H096NA | 96 | 35.938 |
| 3590-H97 | D5-PR35H097NA | 97 | 36.313 |
| 3590-H98 | D5-PR35H098NA | 98 | 36.688 |
| 3590-H99 | D5-PR35H099NA | 99 | 37.063 |
| 3590-H100 | D5-PR35H100NA | 100 | 37.438 |

THIRD ANGLE PROJECTION 

INCHES [MM]

TOLERANCES UNLESS OTHERWISE NOTED

X° ±2°

X/X ±1/32

.XX ±.015

.XXX ±.010

MACHINE FINISH .125

PER ASME Y14.5M-1994

PROPRIETARY ITEM

EXCEPT FOR USES EXPRESSLY GRANTED IN WRITING, INFORMATION DISCLOSED HEREON IS CONFIDENTIAL AND ALL RIGHTS, PATENT AND OTHERWISE, ARE RESERVED BY SOUTHCO, INC.

southco[®]
CONNECT • CREATE • INNOVATE

DESCRIPTION
D5 RIGHT ANGLE RECEPTACLE STRIP

SIZE B SYSTEM NX DWG NO. J-D5-PR35HNA

DRAWN BY CMS/NJF DATE 13JUL2015 SCALE 1:1 SHEET 2 OF 4

6

5

4

3

2

1

6

5

4

3

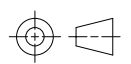
2

1

| DFCI PART NUMBER | SOUTHCO PART NUMBER | # OF HOLES | LENGTH (INCHES) |
|------------------|---------------------|------------|-----------------|
| 3590-H101 | D5-PR35H101NA | 101 | 37.813 |
| 3590-H102 | D5-PR35H102NA | 102 | 38.188 |
| 3590-H103 | D5-PR35H103NA | 103 | 38.563 |
| 3590-H104 | D5-PR35H104NA | 104 | 38.938 |
| 3590-H105 | D5-PR35H105NA | 105 | 39.313 |
| 3590-H106 | D5-PR35H106NA | 106 | 39.688 |
| 3590-H107 | D5-PR35H107NA | 107 | 40.063 |
| 3590-H108 | D5-PR35H108NA | 108 | 40.438 |
| 3590-H109 | D5-PR35H109NA | 109 | 40.813 |
| 3590-H110 | D5-PR35H110NA | 110 | 41.188 |
| 3590-H111 | D5-PR35H111NA | 111 | 41.563 |
| 3590-H112 | D5-PR35H112NA | 112 | 41.938 |
| 3590-H113 | D5-PR35H113NA | 113 | 42.313 |
| 3590-H114 | D5-PR35H114NA | 114 | 42.688 |
| 3590-H115 | D5-PR35H115NA | 115 | 43.063 |
| 3590-H116 | D5-PR35H116NA | 116 | 43.438 |
| 3590-H117 | D5-PR35H117NA | 117 | 43.813 |
| 3590-H118 | D5-PR35H118NA | 118 | 44.188 |
| 3590-H119 | D5-PR35H119NA | 119 | 44.563 |
| 3590-H120 | D5-PR35H120NA | 120 | 44.938 |
| 3590-H121 | D5-PR35H121NA | 121 | 45.313 |
| 3590-H122 | D5-PR35H122NA | 122 | 45.688 |
| 3590-H123 | D5-PR35H123NA | 123 | 46.063 |
| 3590-H124 | D5-PR35H124NA | 124 | 46.438 |
| 3590-H125 | D5-PR35H125NA | 125 | 46.813 |
| 3590-H126 | D5-PR35H126NA | 126 | 47.188 |
| 3590-H127 | D5-PR35H127NA | 127 | 47.563 |
| 3590-H128 | D5-PR35H128NA | 128 | 47.938 |
| 3590-H129 | D5-PR35H129NA | 129 | 48.313 |
| 3590-H130 | D5-PR35H130NA | 130 | 48.688 |
| 3590-H131 | D5-PR35H131NA | 131 | 49.063 |
| 3590-H132 | D5-PR35H132NA | 132 | 49.438 |
| 3590-H133 | D5-PR35H133NA | 133 | 49.813 |
| 3590-H134 | D5-PR35H134NA | 134 | 50.188 |
| 3590-H135 | D5-PR35H135NA | 135 | 50.563 |
| 3590-H136 | D5-PR35H136NA | 136 | 50.938 |
| 3590-H137 | D5-PR35H137NA | 137 | 51.313 |
| 3590-H138 | D5-PR35H138NA | 138 | 51.688 |
| 3590-H139 | D5-PR35H139NA | 139 | 52.063 |
| 3590-H140 | D5-PR35H140NA | 140 | 52.438 |
| 3590-H141 | D5-PR35H141NA | 141 | 52.813 |
| 3590-H142 | D5-PR35H142NA | 142 | 53.188 |
| 3590-H143 | D5-PR35H143NA | 143 | 53.563 |
| 3590-H144 | D5-PR35H144NA | 144 | 53.938 |
| 3590-H145 | D5-PR35H145NA | 145 | 54.313 |
| 3590-H146 | D5-PR35H146NA | 146 | 54.688 |
| 3590-H147 | D5-PR35H147NA | 147 | 55.063 |
| 3590-H148 | D5-PR35H148NA | 148 | 55.438 |
| 3590-H149 | D5-PR35H149NA | 149 | 55.813 |
| 3590-H150 | D5-PR35H150NA | 150 | 56.188 |
| 3590-H151 | D5-PR35H151NA | 151 | 56.563 |
| 3590-H152 | D5-PR35H152NA | 152 | 56.938 |
| 3590-H153 | D5-PR35H153NA | 153 | 57.313 |
| 3590-H154 | D5-PR35H154NA | 154 | 57.688 |
| 3590-H155 | D5-PR35H155NA | 155 | 58.063 |
| 3590-H156 | D5-PR35H156NA | 156 | 58.438 |
| 3590-H157 | D5-PR35H157NA | 157 | 58.813 |
| 3590-H158 | D5-PR35H158NA | 158 | 59.188 |
| 3590-H159 | D5-PR35H159NA | 159 | 59.563 |
| 3590-H160 | D5-PR35H160NA | 160 | 59.938 |
| 3590-H161 | D5-PR35H161NA | 161 | 60.313 |

| DFCI PART NUMBER | SOUTHCO PART NUMBER | # OF HOLES | LENGTH (INCHES) |
|------------------|---------------------|------------|-----------------|
| 3590-H162 | D5-PR35H162NA | 162 | 60.688 |
| 3590-H163 | D5-PR35H163NA | 163 | 61.063 |
| 3590-H164 | D5-PR35H164NA | 164 | 61.438 |
| 3590-H165 | D5-PR35H165NA | 165 | 61.813 |
| 3590-H166 | D5-PR35H166NA | 166 | 62.000 |
| 3590-H167 | D5-PR35H167NA | 167 | 62.563 |
| 3590-H168 | D5-PR35H168NA | 168 | 62.938 |
| 3590-H169 | D5-PR35H169NA | 169 | 63.313 |
| 3590-H170 | D5-PR35H170NA | 170 | 63.688 |
| 3590-H171 | D5-PR35H171NA | 171 | 64.063 |
| 3590-H172 | D5-PR35H172NA | 172 | 64.438 |
| 3590-H173 | D5-PR35H173NA | 173 | 64.813 |
| 3590-H174 | D5-PR35H174NA | 174 | 65.188 |
| 3590-H175 | D5-PR35H175NA | 175 | 65.563 |
| 3590-H176 | D5-PR35H176NA | 176 | 65.938 |
| 3590-H177 | D5-PR35H177NA | 177 | 66.313 |
| 3590-H178 | D5-PR35H178NA | 178 | 66.688 |
| 3590-H179 | D5-PR35H179NA | 179 | 67.063 |
| 3590-H180 | D5-PR35H180NA | 180 | 67.438 |
| 3590-H181 | D5-PR35H181NA | 181 | 67.813 |
| 3590-H182 | D5-PR35H182NA | 182 | 68.188 |
| 3590-H183 | D5-PR35H183NA | 183 | 68.563 |
| 3590-H184 | D5-PR35H184NA | 184 | 68.938 |
| 3590-H185 | D5-PR35H185NA | 185 | 69.313 |
| 3590-H186 | D5-PR35H186NA | 186 | 69.688 |
| 3590-H187 | D5-PR35H187NA | 187 | 70.063 |
| 3590-H188 | D5-PR35H188NA | 188 | 70.438 |
| 3590-H189 | D5-PR35H189NA | 189 | 70.813 |
| 3590-H190 | D5-PR35H190NA | 190 | 71.188 |
| 3590-H191 | D5-PR35H191NA | 191 | 71.563 |
| 3590-H192 | D5-PR35H192NA | 192 | 71.938 |
| 3590-H193 | D5-PR35H193NA | 193 | 72.313 |
| 3590-H194 | D5-PR35H194NA | 194 | 72.688 |
| 3590-H195 | D5-PR35H195NA | 195 | 73.063 |
| 3590-H196 | D5-PR35H196NA | 196 | 73.438 |
| 3590-H197 | D5-PR35H197NA | 197 | 73.813 |
| 3590-H198 | D5-PR35H198NA | 198 | 74.188 |
| 3590-H199 | D5-PR35H199NA | 199 | 74.563 |
| 3590-H200 | D5-PR35H200NA | 200 | 74.938 |
| 3590-H201 | D5-PR35H201NA | 201 | 75.313 |
| 3590-H202 | D5-PR35H202NA | 202 | 75.688 |
| 3590-H203 | D5-PR35H203NA | 203 | 76.063 |
| 3590-H204 | D5-PR35H204NA | 204 | 76.438 |
| 3590-H205 | D5-PR35H205NA | 205 | 76.813 |
| 3590-H206 | D5-PR35H206NA | 206 | 77.188 |
| 3590-H207 | D5-PR35H207NA | 207 | 77.563 |
| 3590-H208 | D5-PR35H208NA | 208 | 77.938 |
| 3590-H209 | D5-PR35H209NA | 209 | 78.313 |

| REVISION HISTORY | | | |
|------------------|-----------|--------|-----------------|
| REV | DATE | BY | DESCRIPTION |
| J | 03FEB2023 | ASC/VK | PRN: P2023-0222 |

THIRD ANGLE PROJECTION 

INCHES [MM]

TOLERANCES UNLESS OTHERWISE NOTED

X° ±2°

X/X ±1/32

.XX ±.015

.XXX ±.010

MACHINE FINISH .125

PER ASME Y14.5M-1994

PROPRIETARY ITEM
EXCEPT FOR USES EXPRESSLY GRANTED
IN WRITING, INFORMATION DISCLOSED
HEREON IS CONFIDENTIAL AND ALL
RIGHTS, PATENT AND OTHERWISE,
ARE RESERVED BY SOUTHCO, INC.

southco[®]
CONNECT • CREATE • INNOVATE

DESCRIPTION
D5 RIGHT ANGLE
RECEPTACLE STRIP

SIZE B SYSTEM NX DWG NO. J-D5-PR35HNA

DRAWN BY CMS/NJF DATE 15JUL2015 SCALE 1:1 SHEET 3 OF 4

6

5

4

3

2

1

6

5

4

3

2

1

REVISION HISTORY

| REV | DATE | BY | DESCRIPTION |
|-----|-----------|--------|-----------------|
| J | 03FEB2023 | ASC/VK | PRN: P2023-0222 |

| DFCI PART NUMBER | SOUTHCO PART NUMBER | # OF HOLES | LENGTH (INCHES) |
|------------------|---------------------|------------|-----------------|
| 3590-H271 | D5-PR35H271NA | 271 | 101.563 |
| 3590-H272 | D5-PR35H272NA | 272 | 101.938 |
| 3590-H273 | D5-PR35H273NA | 273 | 102.313 |
| 3590-H274 | D5-PR35H274NA | 274 | 102.688 |
| 3590-H275 | D5-PR35H275NA | 275 | 103.063 |
| 3590-H276 | D5-PR35H276NA | 276 | 103.438 |
| 3590-H277 | D5-PR35H277NA | 277 | 103.813 |
| 3590-H278 | D5-PR35H278NA | 278 | 104.188 |
| 3590-H279 | D5-PR35H279NA | 279 | 104.563 |
| 3590-H280 | D5-PR35H280NA | 280 | 104.938 |
| 3590-H281 | D5-PR35H281NA | 281 | 105.313 |
| 3590-H282 | D5-PR35H282NA | 282 | 105.688 |
| 3590-H283 | D5-PR35H283NA | 283 | 106.063 |
| 3590-H284 | D5-PR35H284NA | 284 | 106.438 |
| 3590-H285 | D5-PR35H285NA | 285 | 106.813 |
| 3590-H286 | D5-PR35H286NA | 286 | 107.188 |
| 3590-H287 | D5-PR35H287NA | 287 | 107.563 |
| 3590-H288 | D5-PR35H288NA | 288 | 107.938 |
| 3590-H289 | D5-PR35H289NA | 289 | 108.313 |
| 3590-H290 | D5-PR35H290NA | 290 | 108.688 |
| 3590-H291 | D5-PR35H291NA | 291 | 109.063 |
| 3590-H292 | D5-PR35H292NA | 292 | 109.438 |
| 3590-H293 | D5-PR35H293NA | 293 | 109.813 |
| 3590-H294 | D5-PR35H294NA | 294 | 110.188 |
| 3590-H295 | D5-PR35H295NA | 295 | 110.563 |
| 3590-H296 | D5-PR35H296NA | 296 | 110.938 |
| 3590-H297 | D5-PR35H297NA | 297 | 111.313 |
| 3590-H298 | D5-PR35H298NA | 298 | 111.688 |
| 3590-H299 | D5-PR35H299NA | 299 | 112.063 |
| 3590-H300 | D5-PR35H300NA | 300 | 112.438 |
| 3590-H301 | D5-PR35H301NA | 301 | 112.813 |
| 3590-H302 | D5-PR35H302NA | 302 | 113.188 |
| 3590-H303 | D5-PR35H303NA | 303 | 113.563 |
| 3590-H304 | D5-PR35H304NA | 304 | 113.938 |
| 3590-H305 | D5-PR35H305NA | 305 | 114.313 |
| 3590-H306 | D5-PR35H306NA | 306 | 114.688 |
| 3590-H307 | D5-PR35H307NA | 307 | 115.063 |
| 3590-H308 | D5-PR35H308NA | 308 | 115.438 |
| 3590-H309 | D5-PR35H309NA | 309 | 115.813 |
| 3590-H310 | D5-PR35H310NA | 310 | 116.188 |
| 3590-H311 | D5-PR35H311NA | 311 | 116.563 |
| 3590-H312 | D5-PR35H312NA | 312 | 116.938 |
| 3590-H313 | D5-PR35H313NA | 313 | 117.313 |
| 3590-H314 | D5-PR35H314NA | 314 | 117.688 |
| 3590-H315 | D5-PR35H315NA | 315 | 118.063 |
| 3590-H316 | D5-PR35H316NA | 316 | 118.438 |
| 3590-H317 | D5-PR35H317NA | 317 | 118.813 |
| 3590-H318 | D5-PR35H318NA | 318 | 119.188 |
| 3590-H319 | D5-PR35H319NA | 319 | 119.563 |

THIRD ANGLE PROJECTION 

INCHES [MM]

| TOLERANCES UNLESS OTHERWISE NOTED | |
|-----------------------------------|-------|
| X° | ±2° |
| X/X | ±1/32 |
| .XX | ±.015 |
| .XXX | ±.010 |
| MACHINE FINISH | .125 |

PROPRIETARY ITEM
EXCEPT FOR USES EXPRESSLY GRANTED
IN WRITING, INFORMATION DISCLOSED
HEREON IS CONFIDENTIAL AND ALL
RIGHTS, PATENT AND OTHERWISE,
ARE RESERVED BY SOUTHCO, INC.

PER ASME Y14.5M-1994



DESCRIPTION
D5 RIGHT ANGLE RECEPTACLE STRIP

SIZE B SYSTEM NX DWG NO. J-D5-PR35HNA

DRAWN BY CMS/NJF DATE 15JUL2015 SCALE 1:1 SHEET 4 OF 4

6

5

4

3

2

1