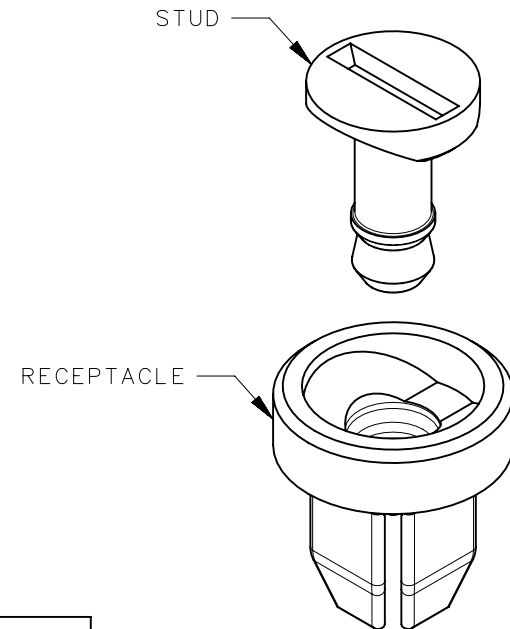
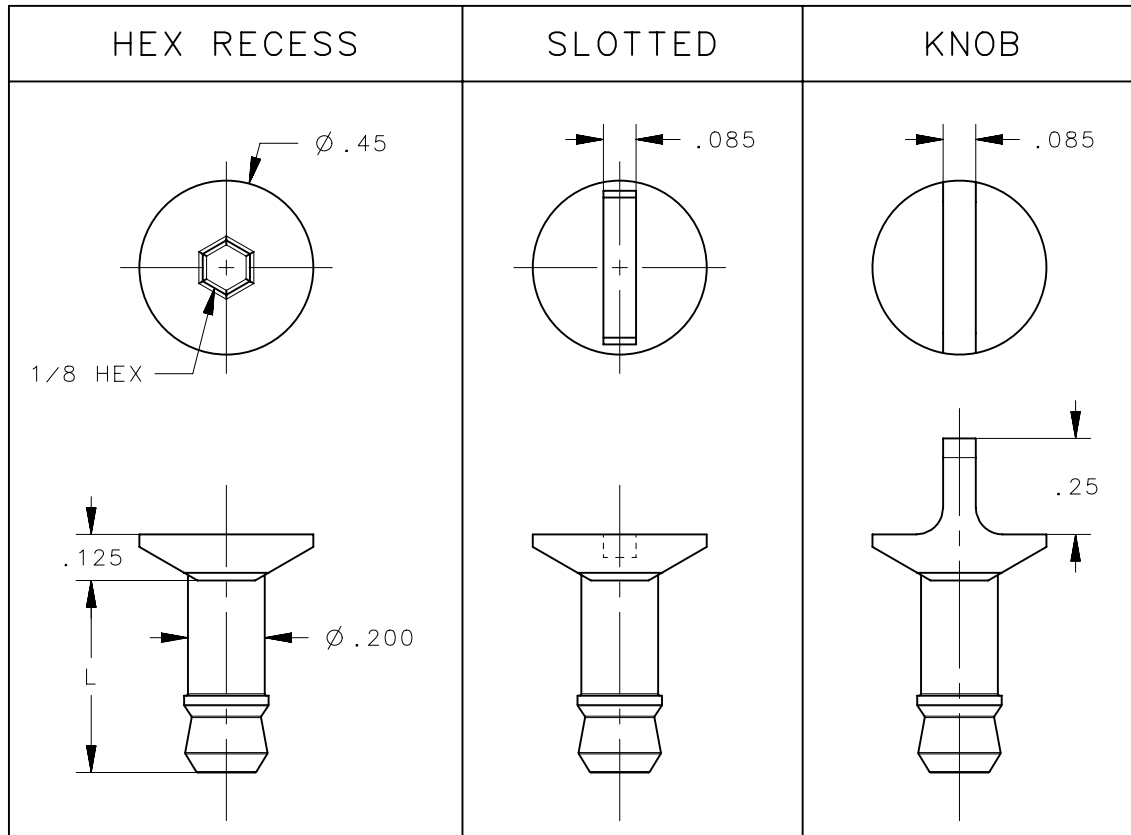


REVISION HISTORY			
REV	DATE	BY	DESCRIPTION
B	23OCT2013	MWC/YGC	PRN: P2013-2095



RECEPTACLE
SOLD SEPARATELY
SEE DRAWING J-D7-20-802

FOR USE WITH RECEPTACLE SERIES	HEAD STYLE	L DIMENSION	STUD PART NUMBER	MATERIAL	COLOR
D7-200-802-010	HEX	.50	D7-200-701-010	ACETAL	BLACK
	SLOTTED	.50	D7-200-711-010		
	KNOB	.50	D7-200-721-010		
D7-201-802-010	HEX	.55	D7-201-701-010		
	SLOTTED	.55	D7-201-711-010		
	KNOB	.55	D7-201-721-010		

NOTES:
1) FOR UV RESISTANT MATERIAL CHANGE SUFFIX -010 TO -030.
EXAMPLE PART NUMBER:- D7-200-802-030
D7-200-701-030

	THIRD ANGLE PROJECTION
	INCHES [MM]
SURFACE AREA	TOLERANCES UNLESS OTHERWISE NOTED
VOLUME	ALL DIMENSIONS WITHOUT TOLERANCES ARE FOR REFERENCE ONLY.
PROPRIETARY ITEM <small>EXCEPT FOR USES EXPRESSLY GRANTED IN WRITING, INFORMATION DISCLOSED HEREON IS CONFIDENTIAL AND ALL RIGHTS, PATENT AND OTHERWISE, ARE RESERVED BY SOUTHCO, INC.</small>	PER ASME Y14.5M-1994

southco [®] CONNECT • CREATE • INNOVATE			
DESCRIPTION ARROW QUARTER TURN STUDS			
SIZE A	SYSTEM NX	DWG NO. J-D7-20-7	
DRAWN BY ALI	DATE 12AUG2006	SCALE 2:1	SHEET 1 OF 1