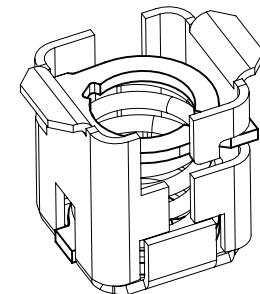
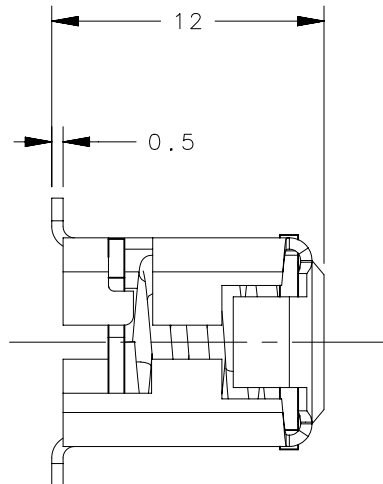
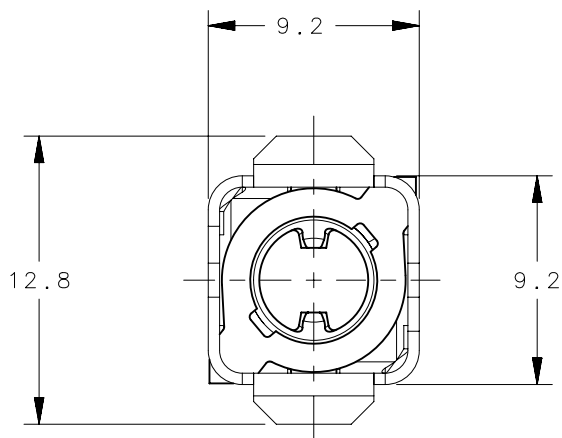


REVISION HISTORY			
REV	DATE	BY	DESCRIPTION
B	12FEB2018	CBI/DMS	PRN: 2018-0378



REF. VIEW
SCALE 5:2

D8-334-200-190	RECEPTACLE	CARBON STEEL	ZINC PLATE
D8-334-200-121	RECEPTACLE	CARBON STEEL	SILVER GEOMET
PART NUMBER	TYPE OF COMPONENT	MATERIAL	FINISH

THIRD ANGLE PROJECTION

MILLIMETERS [IN]

TOLERANCES UNLESS OTHERWISE NOTED

ALL DIMENSIONS WITHOUT TOLERANCES ARE FOR REFERENCE ONLY.

PER ASME Y14.5M-1994

southco[®]
CONNECT • CREATE • INNOVATE

DESCRIPTION
PANEX SIZE 4 FRONT MOUNT RECEPTACLE

SIZE A4	SYSTEM NX	DWG NO. J-D8-334-200
------------	--------------	-------------------------

DRAWN BY MJW	DATE 24MAR2009	SCALE 3:1	SHEET 1 OF 1
-----------------	-------------------	--------------	-----------------

PROPRIETARY ITEM
EXCEPT FOR USES EXPRESSLY GRANTED IN WRITING, INFORMATION DISCLOSED HEREON IS CONFIDENTIAL AND ALL RIGHTS, PATENT AND OTHERWISE, ARE RESERVED BY SOUTHCO, INC.

- NOTES:
- PANEL THICKNESS 0.70 TO 2.50
PANEL PREPARATION HOLE 9.6/9.5 SQUARE.
 - SEE DRAWING J-D8-06 FOR ADDITIONAL FINISHES.