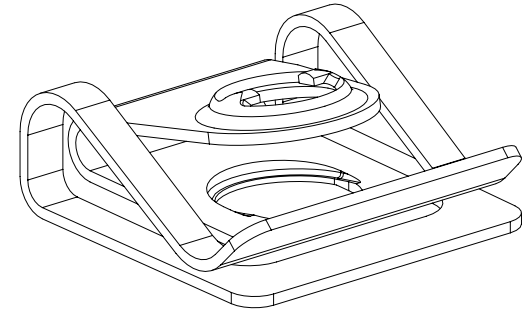
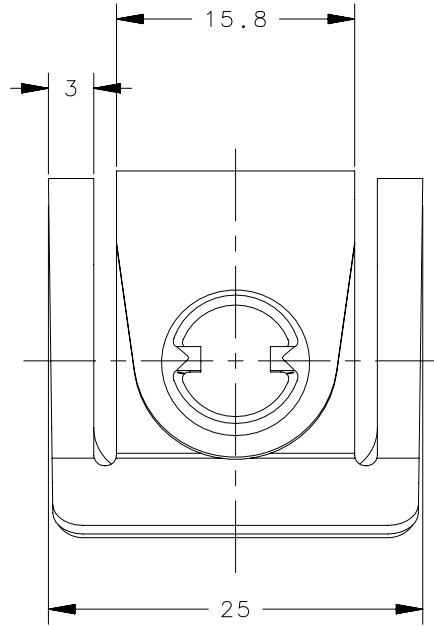
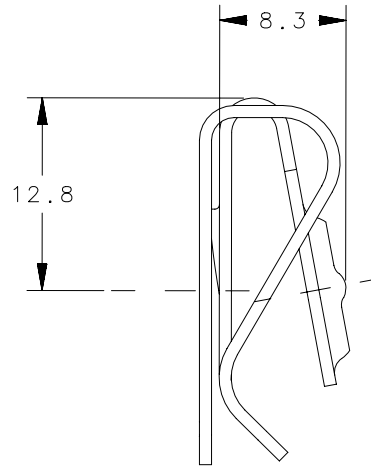


| REVISION HISTORY | | | |
|------------------|-----------|---------|-----------------|
| REV | DATE | BY | DESCRIPTION |
| E | 06OCT2022 | AJF/CMS | PRN: P2022-1798 |



| D8-336-300-191 | RECEPTACLE | CARBON STEEL | ZINC AND BLACK PASSIVATE |
|----------------|-------------------|--------------|---------------------------------|
| D8-336-300-190 | RECEPTACLE | CARBON STEEL | ZINC AND TRIVALENT PASSIVATE |
| D8-336-300-133 | RECEPTACLE | CARBON STEEL | BLACK ORGANIC HIGH PERFORMANCE |
| D8-336-300-132 | RECEPTACLE | CARBON STEEL | SILVER ORGANIC HIGH PERFORMANCE |
| D8-336-300-131 | RECEPTACLE | CARBON STEEL | BLACK ORGANIC |
| D8-336-300-130 | RECEPTACLE | CARBON STEEL | SILVER ORGANIC |
| D8-336-300-121 | RECEPTACLE | CARBON STEEL | SILVER GEOMET |
| PART NUMBER | TYPE OF COMPONENT | MATERIAL | FINISH |

NOTES:

A) PANEL PREPARATION:

- 1) PANEL THICKNESS 0.70 TO 3.20
- 2) PANEL PREPARATION HOLE: $\varnothing 11.00$
- 3) DISTANCE FROM PREPARATION HOLE TO EDGE OF PANEL: 11.00 MAX.

| | | | | | |
|--|---|--|-------------------|--|-----------------|
| | THIRD ANGLE PROJECTION | | | southco [®] CONNECT • CREATE • INNOVATE | |
| | MILLIMETERS [IN] | | | | |
| SURFACE AREA | TOLERANCES UNLESS OTHERWISE NOTED | DESCRIPTION PANEX SIZE 6 SLIP ON RECEPTACLE | | | |
| VOLUME | ALL DIMENSIONS WITHOUT TOLERANCES ARE FOR REFERENCE ONLY. | SIZE A4 | SYSTEM NX | DWG NO. J-D8-336-300 | |
| PROPRIETARY ITEM EXCEPT FOR USES EXPRESSLY GRANTED IN WRITING, INFORMATION DISCLOSED HEREON IS CONFIDENTIAL AND ALL RIGHTS, PATENT AND OTHERWISE, ARE RESERVED BY SOUTHCO, INC. | PER ASME Y14.5M-1994 | DRAWN BY MJW | DATE 23MAR2009 | SCALE 2:1 | SHEET 1 OF 1 |