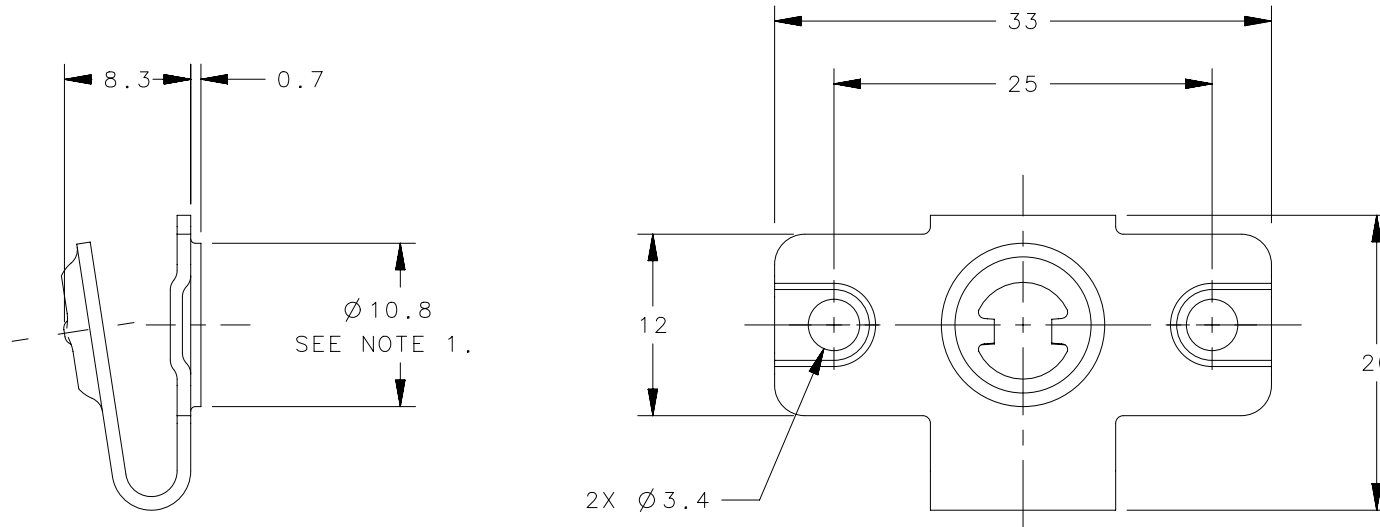
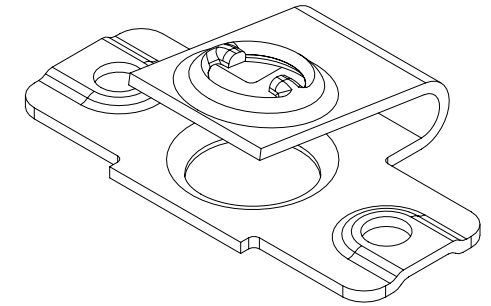


| REVISION HISTORY |           |         |                 |
|------------------|-----------|---------|-----------------|
| REV              | DATE      | BY      | DESCRIPTION     |
| B                | 02APR2014 | MWC/YGC | PRN: P2014-0745 |



|                |                   |              |                         |
|----------------|-------------------|--------------|-------------------------|
| D8-336-400-130 | RECEPTACLE        | CARBON STEEL | ZINC PHOSPHATE - SILVER |
| D8-336-400-121 | RECEPTACLE        | CARBON STEEL | SILVER GEOMET           |
| PART NUMBER    | TYPE OF COMPONENT | MATERIAL     | FINISH                  |

|  |   |                                   |                |
|--|---|-----------------------------------|----------------|
|  | THIRD ANGLE PROJECTION                                    | <br>CONNECT • CREATE • INNOVATE   |                |
|  | MILLIMETERS [IN]  |                                   |                |
|  | TOLERANCES UNLESS OTHERWISE NOTED                         | DESCRIPTION RECEPTACLE - RIVET ON |                |
| SURFACE AREA   | ALL DIMENSIONS WITHOUT TOLERANCES ARE FOR REFERENCE ONLY. | SIZE A4                           | SYSTEM NX      |
| VOLUME   |   | DWG NO. J-D8-336-400              |                |
| PROPRIETARY ITEM   | PER ASME Y14.5M-1994                                      | DRAWN BY MJW                      | DATE 20MAR2009 |
| EXCEPT FOR USES EXPRESSLY GRANTED IN WRITING, INFORMATION DISCLOSED HEREON IS CONFIDENTIAL AND ALL RIGHTS, PATENT AND OTHERWISE, ARE RESERVED BY SOUTHCO, INC. |   | SCALE 2:1                         | SHEET 1 OF 1   |

NOTES:  
1) SUPPORT PANEL REQUIRES  $\phi 11.00$  HOLE.