

PART NUMBER:

E5-5-WW X-YY 1-R K CCC

USED ONLY WHEN "WW" IS 41 OR 42

ACTUATION STYLE KEY - LOCKABLE: (SEE ACTUATION STYLE DETAILS BELOW)

CAM TYPE (SEE NOTE 4)

KEY REMOVAL: 1 = LOCKED/UNLOCKED POSITION

SEALING OPTION: 1= O-RING AND GASKET INCLUDED FOR IP-66/NEMA AND RATING

KEY OPTIONS :

- 0 = NO KEYS INCLUDED, ORDER SEPARATELY
- 1 = 1 KEY PER LOCK, (FLAT KEY)
- 2 = 2 KEYS PER LOCK, (FLAT KEY)
- 3 = 1 KEY PER LOCK (PLASTIC OVERMOLDED)
- 4 = 2 KEY PER LOCK (PLASTIC OVERMOLDED)

HOUSING FINISH:

- 2= BRIGHT CHROME PLATE
- 5= BLACK POWDER COAT

"LS" OR "RS" KEYCODES

001

500

- MK1 OR KD1
- MK2 OR KD2
- MK3 OR KD3
- MK4 OR KD4 (SEE NOTE 8)

WW ACTUATION STYLE

WW - 40 KEYED ALIKE, CH751, STAINLESS STEEL CAP, BRASS NICKEL PLATED DUST SHUTTER. 45 KEYED ALIKE, CH751, NO CAP, NO DUST SHUTTER, BLACK POWDER COATED LOCK FACE.

41 - MASTER KEYED, KEYED DIFFERENTLY ("LS" CODES) STAINLESS STEEL CAP, BRASS NICKEL PLATED DUST SHUTTER.

42 - NONMASTER KEYED, KEYED DIFFERENTLY ("RS" CODES) STAINLESS STEEL CAP, BRASS NICKEL PLATED DUST SHUTTER.

80 KEYED ALIKE, WN04, STAINLESS STEEL CAP, BRASS NICKEL PLATED DUST SHUTTER. 81 KEYED ALIKE, WN04, NO CAP, NO DUST SHUTTER, BLACK POWDER COATED LOCK FACE.

NOTES :

1. INSPECT PARTS FROM 0.5 METERS VIEWING DISTANCE FOR 8 SECONDS.
2. NO SURFACE IMPERFECTION LARGER THAN 1.5mm IN DIAMETER, HEIGHT OR WIDTH IS PERMITTED ON THE HOUSING HEAD OR TOP OF LOCKPLUG.
3. THERE IS A MAXIMUM OF 4 SURFACE IMPERFECTIONS OF ANY SIZE ALLOWED.
4. FOR CAM TYPE SEE GRIP TABLE IN UPPER RIGHT CORNER.
5. FOR KEY INFORMATION REFER TO J-PK-10 AND J-PK-130.
6. FOR INSTALLATION SEE PAGE 2.
7. UU CAM TYPE INDICATES THAT CAM IS ORDERED AND SHIPPED SEPARATELY.
8. KEY SET OPTIONS:

WHEN WW=42

- KD1=RS001-RS125(125 PIECE SET)
- KD2=RS126-RS250(125 PIECE SET)
- KD3=RS251-RS375(125 PIECE SET)
- KD4=RS376-RS500(125 PIECE SET)

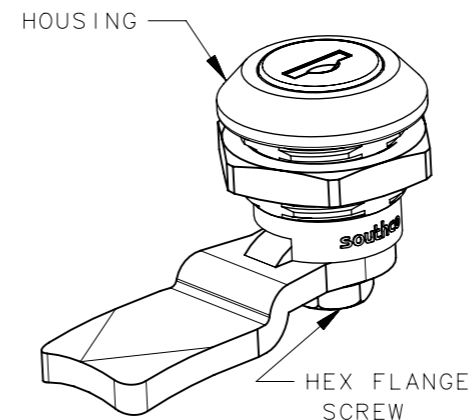
AVAILABLE FOR E5-5-425-UU1-12KDX AND E5-5-422-UU1-12KDX

WHEN WW=41

- MK1=LS001-LS125(125 PIECE SET)
- MK2=LS126-LS250(125 PIECE SET)
- MK3=LS251-LS375(125 PIECE SET)
- MK4=LS376-LS500(125 PIECE SET)

AVAILABLE FOR E5-5-415-UU1-12MKX AND E5-5-412-UU1-12MKX.

YY CAM STYLE

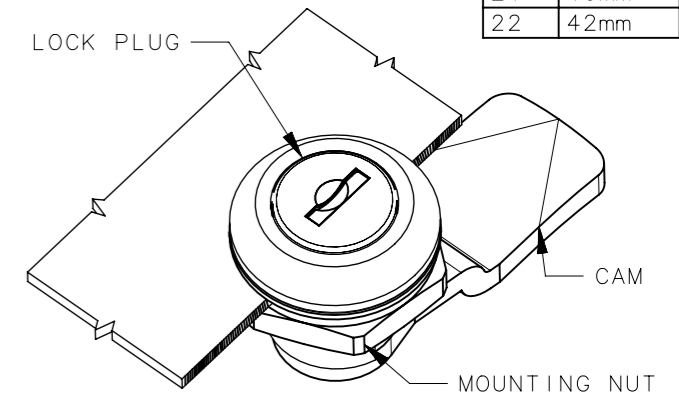
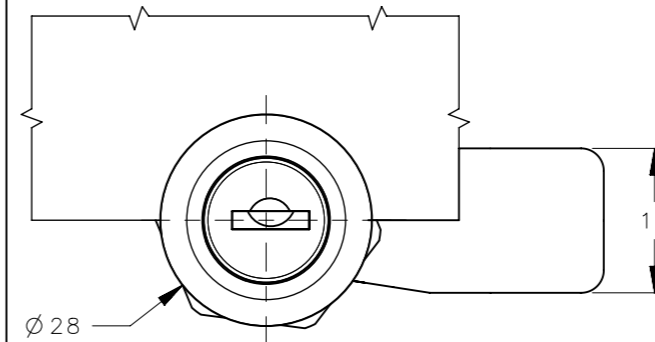


YY=UU
CAM ORDERED AND SHIPPED SEPARATELY

PART NUMBER E5-5-40X-031-1K SHOWN

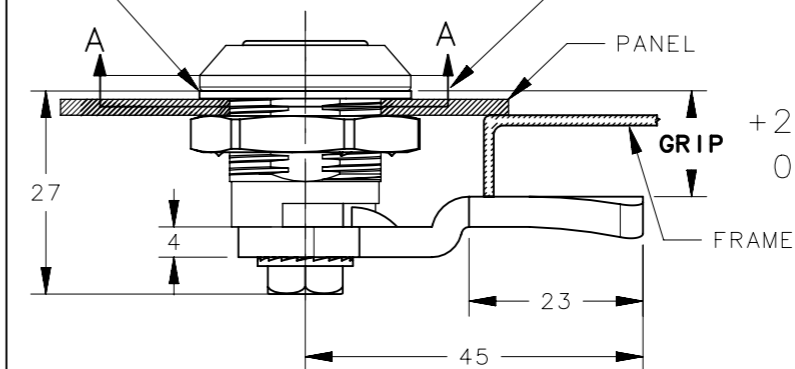
YY= SEE TABLE ASSEMBLIES SHIPPED WITH CAM (NOT STOCKED)

YY	GRIP
03	4mm
04	6mm
05	8mm
06	10mm
07	12mm
08	14mm
09	16mm
10	18mm
11	20mm
12	22mm
13	24mm
14	26mm
15	28mm
16	30mm
17	32mm
18	34mm
19	36mm
20	38mm
21	40mm
22	42mm



SEALING WASHER: 1mm THICK 0.5mm COMPRESSED

SEE REMARK COLUMN ON SHEET 2 UNDER THE MATERIAL AND FINISH TABLE FOR POWDER COATED HOUSING.



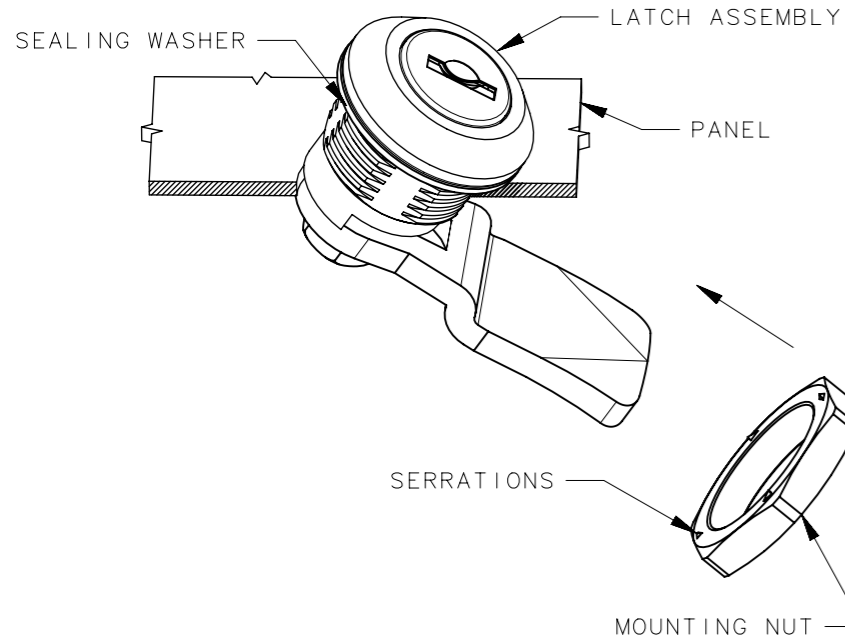
PART NUMBER E5-5-40X-071-1K SHOWN

CPB NUMBER	STANDARD	THIRD ANGLE PROJECTION			
		MILLIMETERS [IN]	DESCRIPTION E5 QUAD LATCH (KEY LOCKABLE) M22 X 23 HOUSING		
		TOLERANCES UNLESS OTHERWISE NOTED			
		ALL DIMENSIONS WITHOUT TOLERANCES ARE FOR REFERENCE ONLY.	SIZE A3	SYSTEM NX	DWG NO. J-E5-5
PROPRIETARY ITEM		PER ASME Y14.5M-1994	DRAWN BY DLH	DATE 21APR2003	SCALE 1:1
EXCEPT FOR USES EXPRESSLY GRANTED IN WRITING, INFORMATION DISCLOSED HEREON IS CONFIDENTIAL AND ALL RIGHTS, PATENT AND OTHERWISE, ARE RESERVED BY SOUTHCO, INC.					SHEET 1 OF 2

INSTALLATION METHOD 1

USE WHEN GRIP IS EQUAL TO OR EXCEED PANEL THICKNESS BY 9mm.

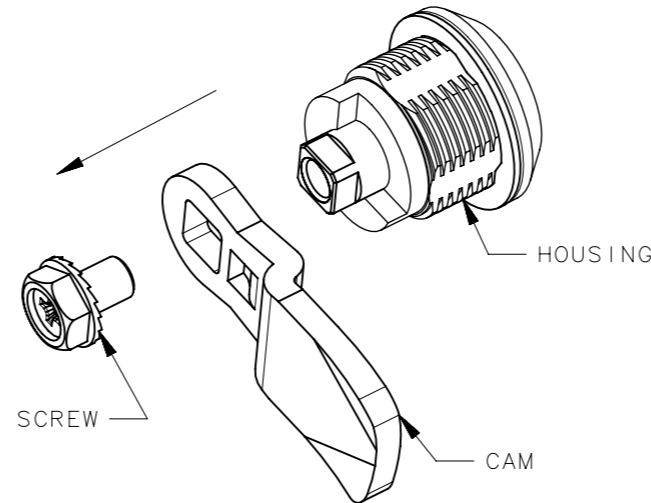
1. PLACE SEALING WASHER ONTO LATCH HOUSING.
2. TILT LATCH THROUGH MOUNTING HOLE.
3. INSTALL MOUNTING NUT AND TIGHTEN TO 10 N.m MAX.



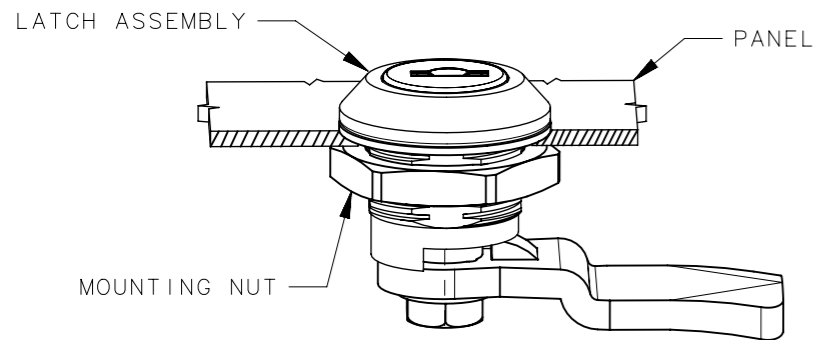
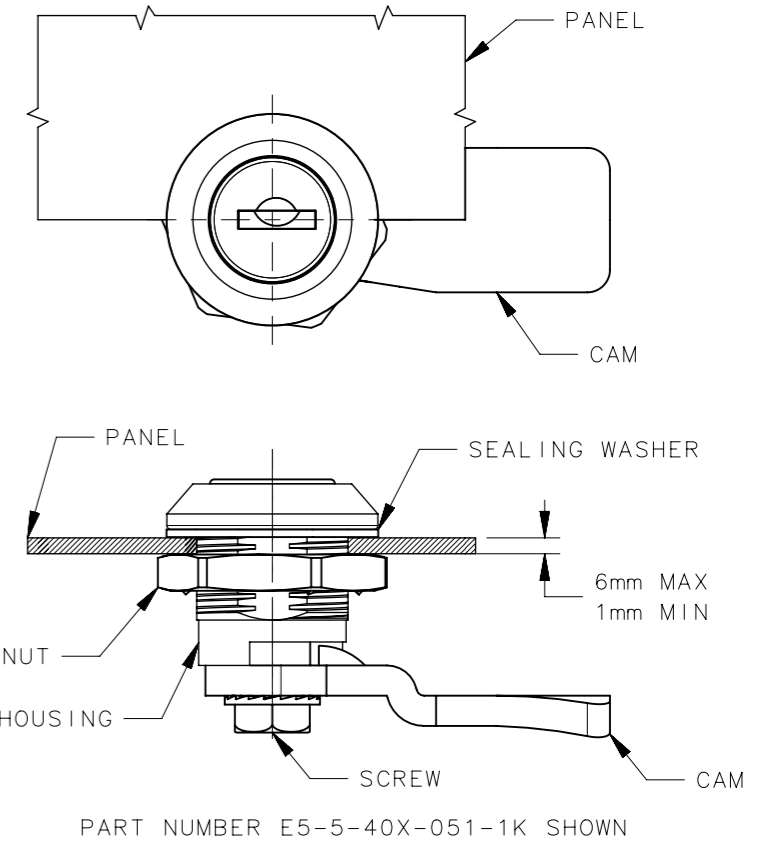
INSTALLATION METHOD 2

REQUIRED WHEN GRIP DOES NOT EXCEED PANEL THICKNESS BY 9mm

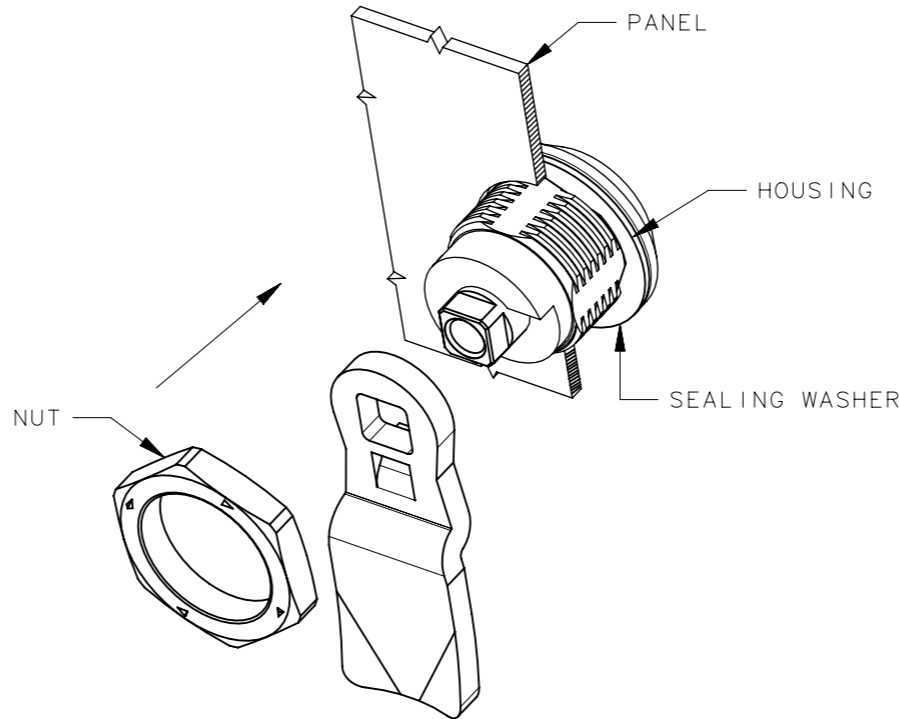
1. REMOVE SCREW FROM HOUSING, DETACHING CAM FROM LATCH ASSEMBLY.
2. PLACE SEALING WASHER ONTO LATCH HOUSING AND PLACE THROUGH MOUNTING HOLE.
3. INSTALL MOUNTING NUT AND TIGHTEN TO 10 N.m MAX.
4. RE-ATTACH CAM TO LATCH ASSEMBLY. ASSURE THAT CAM IS ORIENTED TO KEYWAY OPENING AS SHOWN BELOW.
5. INSTALL SCREW AND TIGHTEN TO 4.5 Nm MIN/ 5.5 Nm MAX USING 10mm HEX, PHILLIPS OR SLOT.



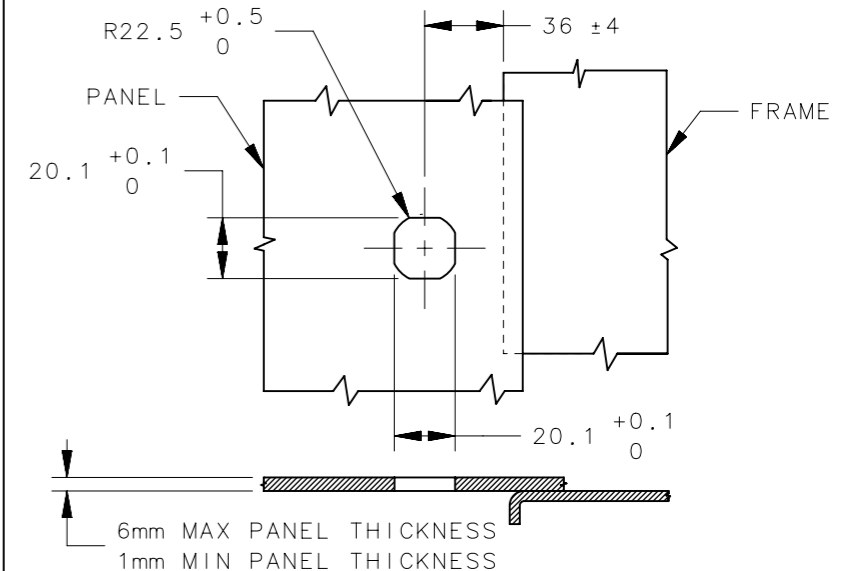
REVISION HISTORY			
REV	DATE	BY	DESCRIPTION
S	20MAR2023	GJL/DMS	PRN: P2023-0613



PART NUMBER E5-5-40X-131-1K SHOWN



PANEL PREPARATION



MATERIAL AND FINISH

COMPONENT	MATERIAL	FINISH	REMARKS
MOUNTING NUT	DIE CAST ZINC	ZINC PLATE BRIGHT CHROMATE	
HEX FLANGE SCREW	LOW CARBON STEEL	ZINC PLATE BRIGHT CHROMATE	
SEALING WASHER	POLYURETHANE	BLACK	
O-RING	NITRILE	BLACK	
CAM	STEEL	ZINC PLATE BRIGHT CHROMATE	
HOUSING	DIE CAST ZINC	BLACK POWDER COATED CHROME PLATED	HEAD IS POWDER COATED, ABOVE SECTION A-A, (2 THREAD MAX)
LOCK PLUG	DIE CAST ZINC	BLACK POWDER COATED CHROMATE WITH STAINLESS STEEL CAP	NO CAP, NO DUST SHUTTER INCLUDE NICKEL PLATED BRASS DUST SHUTTER

CPB NUMBER	STANDARD	THIRD ANGLE PROJECTION			 CONNECT · CREATE · INNOVATE
		MILLIMETERS [IN]			
		TOLERANCES UNLESS OTHERWISE NOTED	DESCRIPTION E5 QUAD LATCH (KEY LOCKABLE) M22 X 23 HOUSING		
		ALL DIMENSIONS WITHOUT TOLERANCES ARE FOR REFERENCE ONLY.	SIZE A3	SYSTEM NX	DWG NO. J-E5-5
		PER ASME Y14.5M-1994	DRAWN BY DLH	DATE 21APR2003	SCALE 1:1
					SHEET 2 OF 2