

PART NUMBER	SCREW LENGTH "L"	"P2" DIMENSION
F5-832-P2	.36	.24
F5-832-P4	.40	.28
F5-832-P6	.44	.32
F5-832-P8	.48	.36

MATERIAL & FINISH:

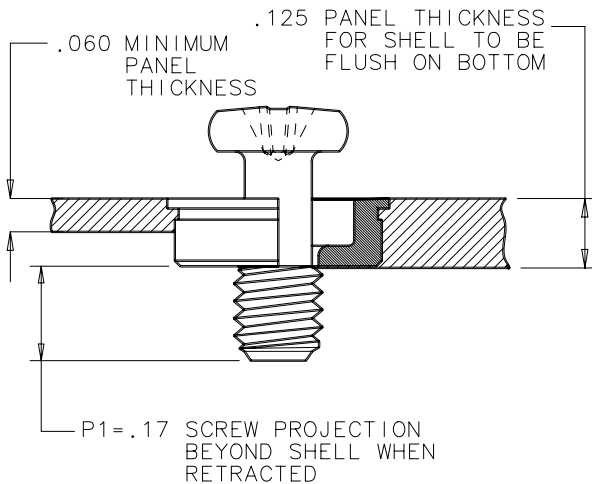
SCREW : 430 STAINLESS STEEL
PASSIVATED.

SHELL : 303 STAINLESS STEEL
PASSIVATED

NOTE: SHIPPED ASSEMBLED, BULK.
FOR ASSEMBLIES PACKAGED 50 PER
BOX, ADD SUFFIX "-P" TO THE
PART NUMBER.

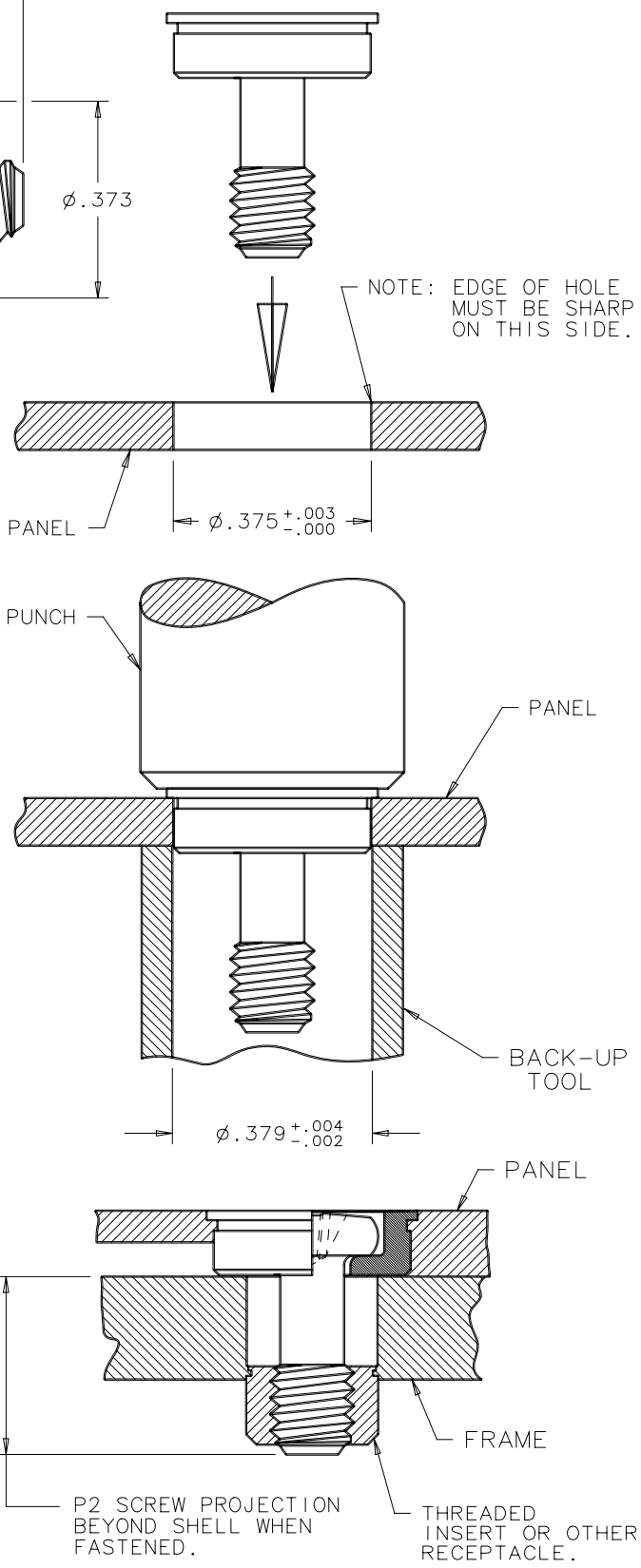
A GENERAL GUIDE:

FOR USE IN MOST ALUMINUMS OR IN
LOW-CARBON STEELS THAT ARE 1/4 HARD
OR SOFTER.



SCREW
RETRACTED

NOTE: SCREWS WILL
RADIALLY FLOAT
.02 TOTAL MOVEMENT



SCREW
RETRACTED

ALL DIMENSIONS ARE IN INCHES.

FORMATAR 5/89
PROPRIETARY ITEM - EXCEPT FOR USES EXPRESSLY GRANTED IN WRITING
INFORMATION DISCLOSED HEREON IS CONFIDENTIAL AND ALL RIGHTS PATENT
AND OTHERWISE ARE RESERVED BY SOUTHCO, INC.
REV A 8-1-90 HAR PHILLIPS RECESS WAS #2, .379 ± .0047-.002 WAS -.377 ± .0047-.000
REV B 10-10-90 HAR PRN F5-26 CHANGED PART & DIM NOS
REV C 10-25-90 HAR PRN F5-26
REV D 3-7-91 JAD PRN F5-29
REV E 12/01/03 CYLINDER PRN: P2
REV F 12/01/03 CYLINDER PRN: P2
REV G 23SEP2006 VSK/VPR PRN: P2006-1273