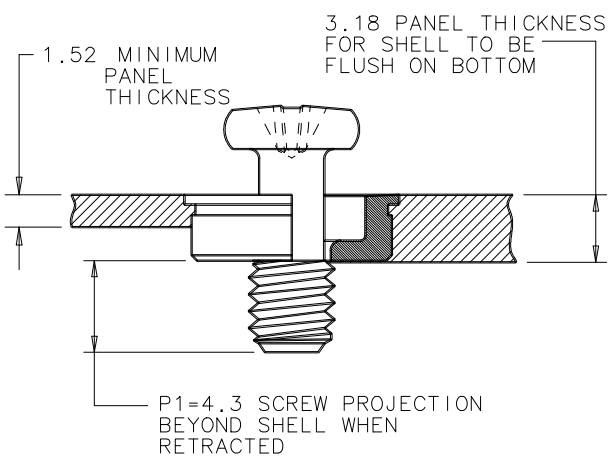


PART NUMBER	SCREW LENGTH *L*	*P2* DIMENSION
F5-M4-P2	8.6	5.6
F5-M4-P4	9.6	6.6
F5-M4-P6	10.6	7.6
F5-M4-P8	11.6	8.6

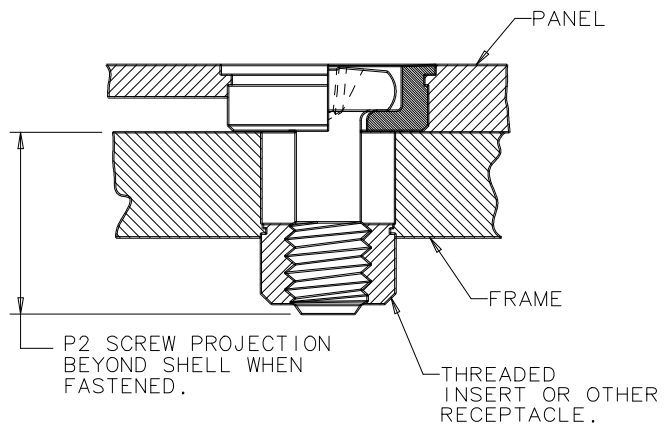
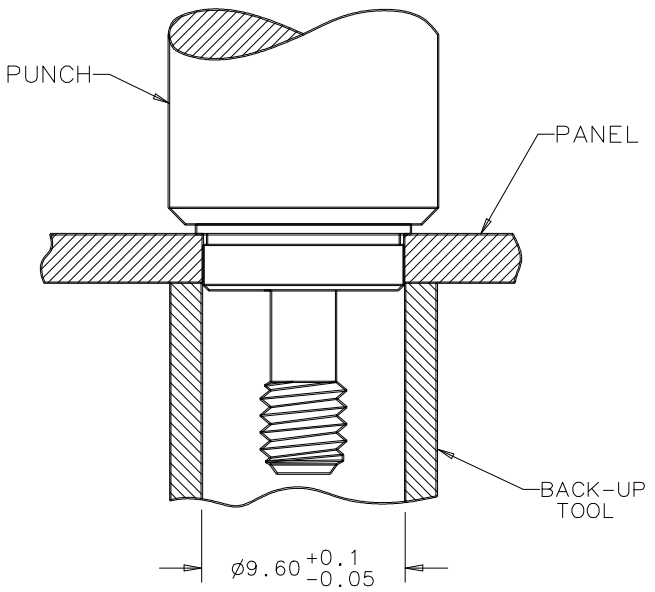
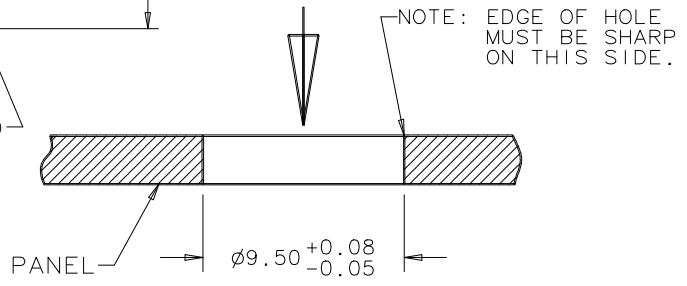
MATERIAL & FINISH:
SCREW : 430 STAINLESS STEEL PASSIVATED.
SHELL : 303 STAINLESS STEEL PASSIVATED

NOTE: SHIPPED ASSEMBLED, BULK. FOR ASSEMBLIES PACKAGED 50 PER BOX, ADD SUFFIX "-P" TO THE PART NUMBER.

A GENERAL GUIDE:
FOR USE IN MOST ALUMINUMS OR IN LOW-CARBON STEELS THAT ARE 1/4 HARD OR SOFTER.



SCREW RETRACTED



SCREW FASTENED

NOTE: SCREWS WILL RADIALLY FLOAT 0.6 TOTAL MOVEMENT

ALL DIMENSIONS ARE IN MILLIMETERS.