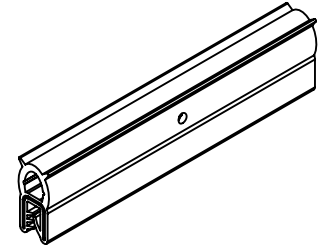
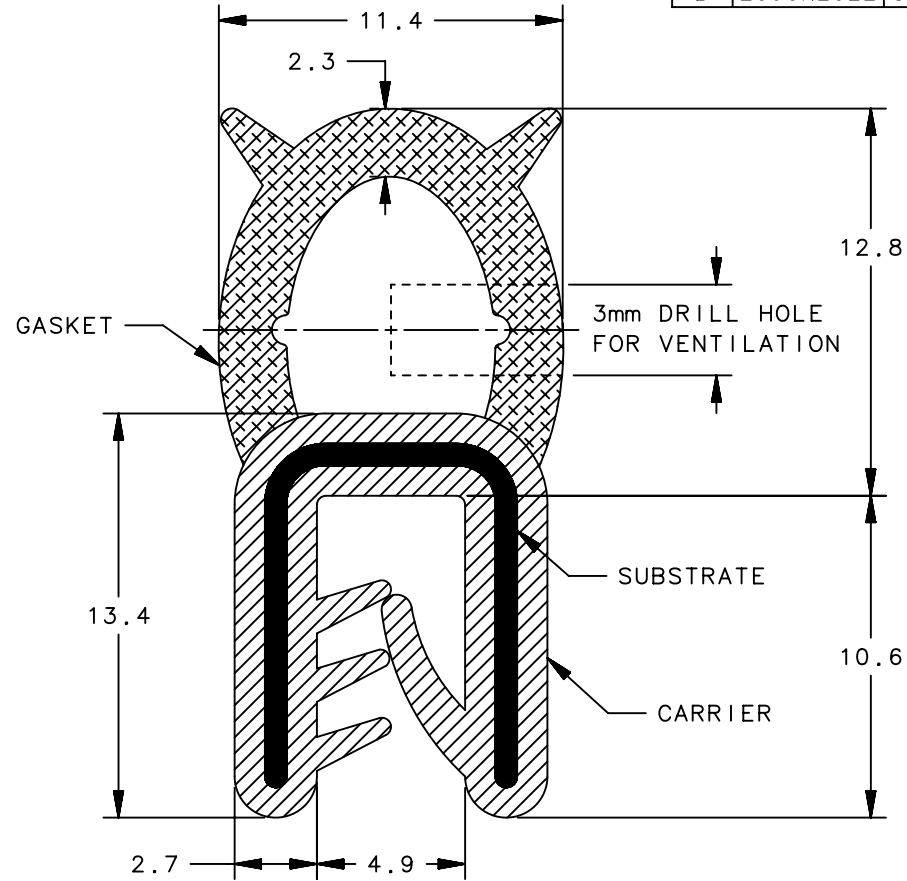
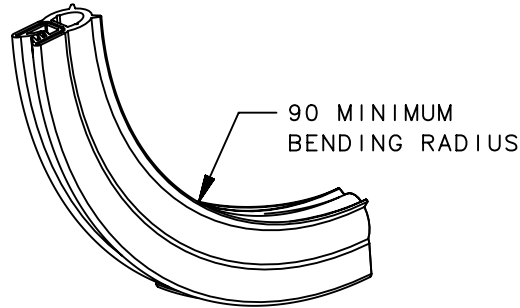
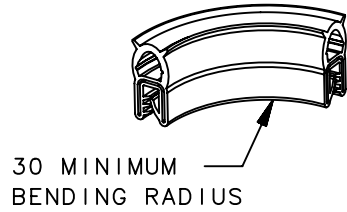
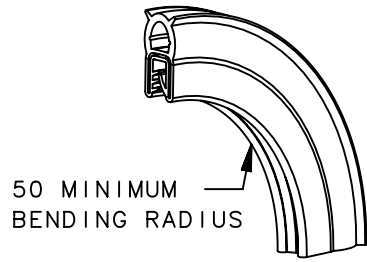


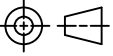
REVISION HISTORY			
REV	DATE	BY	DESCRIPTION
B	20JUN2022	CMS/JDC	PRN: P2022-0429



NOTES:

- A. MATERIAL:
 - GASKET: HV2 EPDM, BLACK
 - CARRIER: 70 DUROMETER EPDM, BLACK
 - SUBSTRATE: STEEL WIRE
- B. FLAMABILITY RATING: UL 94-HB
- C. FORCE TO COMPRESS 100mm LENGTH OF GASKET:
 BY 30% (3.8mm): 5.8N
 BY 50% (6.4mm): 8.2N

GA-010-82-M500	50	NON-VENTED
GA-010-82V-M500	50	VENTED
GA-010-82-M030	3	NON-VENTED
GA-010-82V-M030	3	VENTED
PART NUMBER	LENGTH (METERS)	VENTING

STANDARD	THIRD ANGLE PROJECTION				
	MILLIMETERS [IN]				
	TOLERANCES UNLESS OTHERWISE NOTED	DESCRIPTION			
	ALL DIMENSIONS WITHOUT TOLERANCES ARE FOR REFERENCE ONLY.	GASKET, CLIP-ON SEALING PROFILE 010			
PROPRIETARY ITEM	EXCEPT FOR USES EXPRESSLY GRANTED IN WRITING, INFORMATION DISCLOSED HEREON IS CONFIDENTIAL AND ALL RIGHTS, PATENT AND OTHERWISE, ARE RESERVED BY SOUTHCO, INC.	SIZE	SYSTEM	DWG NO.	
		A4	NX	J-GA-010	
	PER ASME Y14.5M-1994	DRAWN BY	DATE	SCALE	SHEET
		CMS/IR	07MAR2022	1:1	1 OF 1

southco[®]
 CONNECT • CREATE • INNOVATE