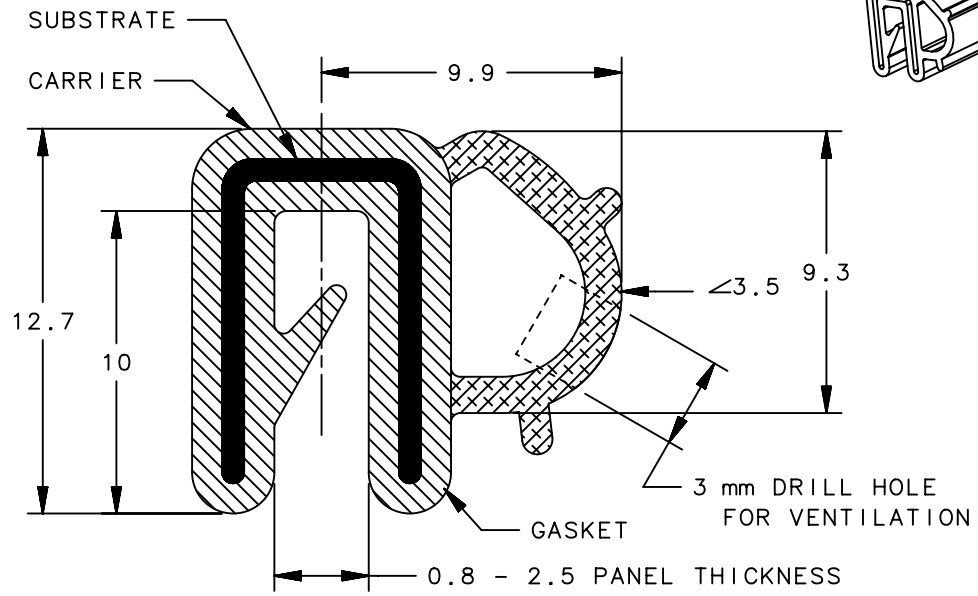
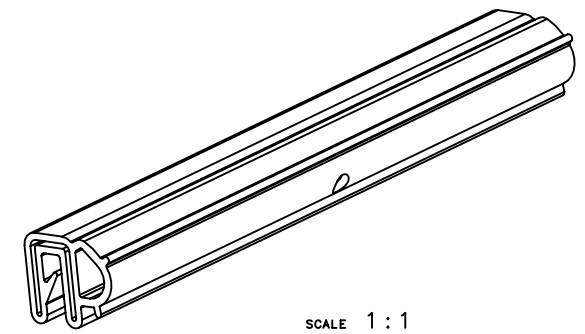
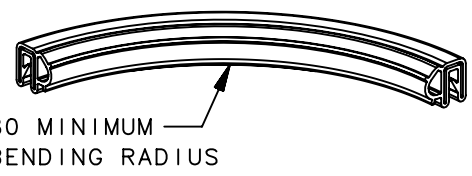
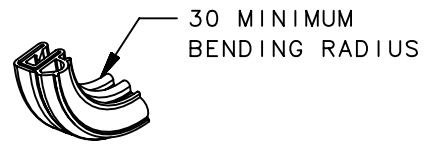
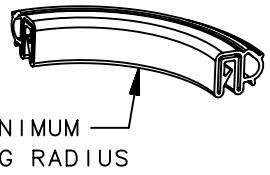
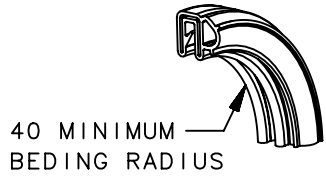


REVISION HISTORY			
REV	DATE	BY	DESCRIPTION
F	20JUN2022	CMS/JDC	PRN: P2022-0833



NOTES:

- A. MATERIAL:
 - GASKET: HV2, EPDM BLACK
 - CARRIER: 70 DUROMETER EPDM, BLACK
 - SUBSTRATE: STEEL WIRE
- B. FLAMMABILITY RATING: UL-94-HB
- C. FORCE TO COMPRESS 100mm LENGTH OF GASKET:
 BY 30% (3mm): 1N
 BY 50% (5mm): 2.9N

GA-206-82-M500	50	NON-VENTED
GA-206-82V-M500	50	VENTED
GA-206-82-M030	3	NON-VENTED
GA-206-82V-M030	3	VENTED
PART NUMBER	LENGTH (METERS)	VENTING

STANDARD	THIRD ANGLE PROJECTION	 CONNECT • CREATE • INNOVATE		
	MILLIMETERS [IN]			
	TOLERANCES UNLESS OTHERWISE NOTED	DESCRIPTION		
	ALL DIMENSIONS WITHOUT TOLERANCES ARE FOR REFERENCE ONLY.	GASKET, CLIP-ON SEALING PROFILE 206		
PROPRIETARY ITEM <small>EXCEPT FOR USES EXPRESSLY GRANTED IN WRITING, INFORMATION DISCLOSED HEREON IS CONFIDENTIAL AND ALL RIGHTS, PATENT AND OTHERWISE, ARE RESERVED BY SOUTHCO, INC.</small>	PER ASME Y14.5M-1994	SIZE A4	SYSTEM NX	DWG NO. J-GA-206
		DRAWN BY RLR	DATE 20JAN2006	SCALE 4:1
				SHEET 1 OF 1