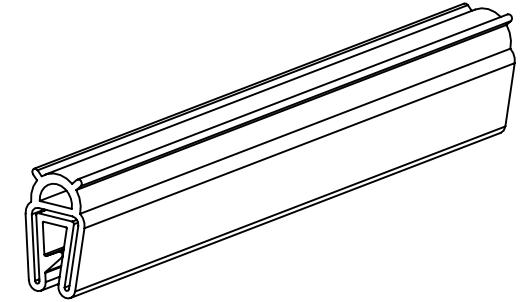
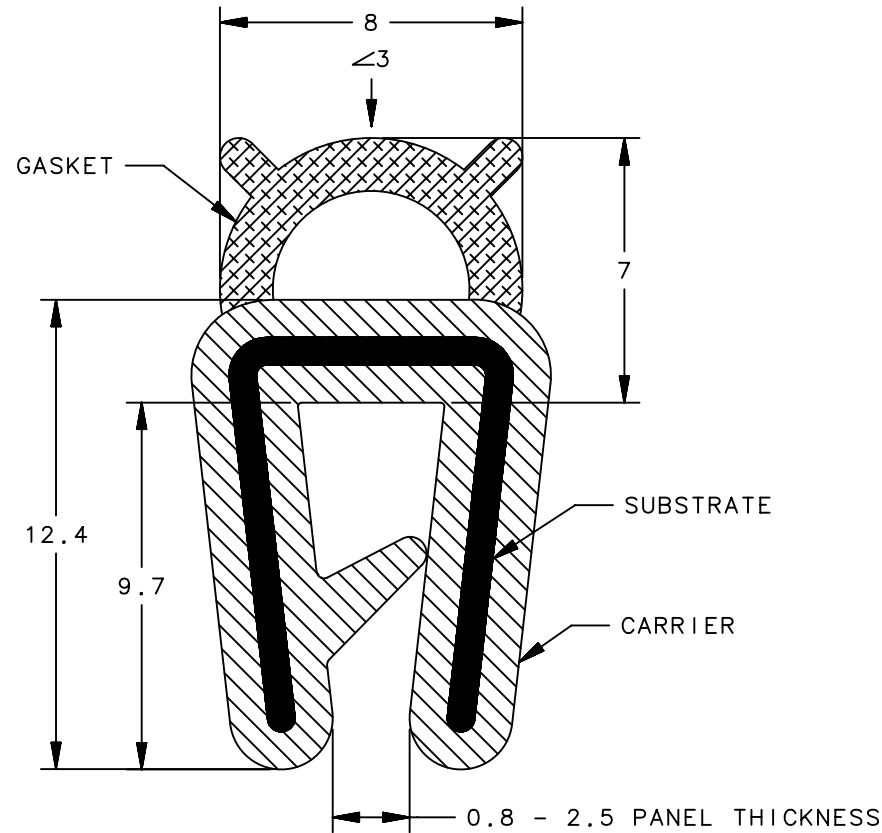
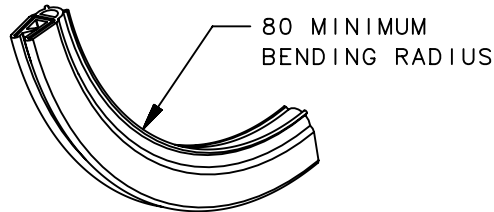
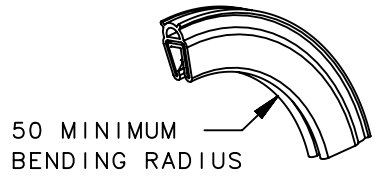


REVISION HISTORY			
REV	DATE	BY	DESCRIPTION
E	20JUN2022	CMS/JDC	PRN: P2022-0833



NOTES:

A. MATERIAL:

- GASKET: HV2 EPDM, BLACK
- CARRIER: 70 DUROMETER EPDM, BLACK
- SUBSTRATE: STEEL WIRE

B. FLAMMABILITY RATING: UL 94-HB

C. FORCE TO COMPRESS 100mm LENGTH OF GASKET:

- BY 30% (2.1mm): 2.6N
- BY 50% (3.5mm): 4.4N

GA-209-82-M500	50	NON-VENTED
GA-209-82-M030	3	NON-VENTED
PART NUMBER	LENGTH (METERS)	VENTING

STANDARD	THIRD ANGLE PROJECTION	 CONNECT • CREATE • INNOVATE	
	MILLIMETERS [IN]		
	TOLERANCES UNLESS OTHERWISE NOTED	DESCRIPTION	
	ALL DIMENSIONS WITHOUT TOLERANCES ARE FOR REFERENCE ONLY.	GASKET, CLIP-ON SEALING PROFILE 209	
PROPRIETARY ITEM	EXCEPT FOR USES EXPRESSLY GRANTED IN WRITING, INFORMATION DISCLOSED HEREON IS CONFIDENTIAL AND ALL RIGHTS, PATENT AND OTHERWISE, ARE RESERVED BY SOUTHCO, INC.	SIZE A4	SYSTEM NX
	PER ASME Y14.5M-1994	DWG NO. J-GA-209	
		DRAWN BY RLR	DATE 20JAN2006
		SCALE 4:1	SHEET 1 OF 1