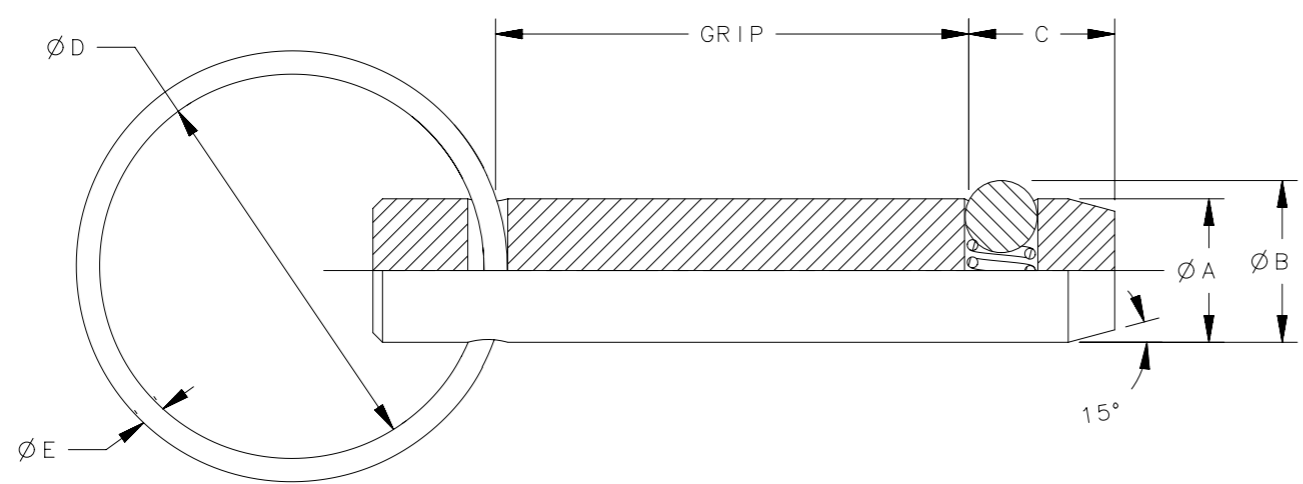


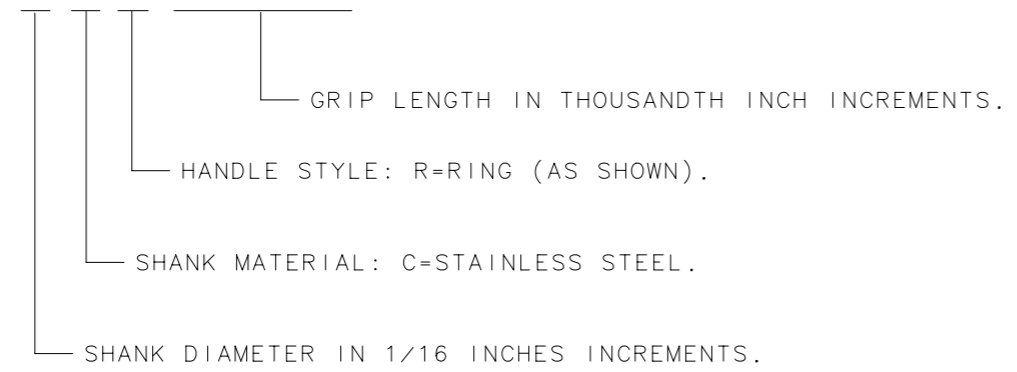
REVISION HISTORY			
REV	DATE	BY	DESCRIPTION
A	08 NOV 2011	DMS/YGC	NEW RELEASE



PIN NUMBER	A	B	C	D	E
3	4.8 [.1885]	5.4 [.213]	5.6 [.219]	25.4 [1.000]	1.6 [.062]
4	6.3 [.2485]	7.1 [.280]	7.2 [.282]	25.4 [1.000]	1.6 [.062]
5	7.9 [.3110]	8.9 [.350]	8.7 [.343]	25.4 [1.000]	1.6 [.062]
6	9.5 [.3735]	10.7 [.421]	9.9 [.391]	25.4 [1.000]	1.6 [.062]
7	11.1 [.4360]	12.5 [.491]	11.1 [.436]	25.4 [1.000]	1.6 [.062]
8	12.7 [.4985]	14.3 [.562]	12.7 [.500]	25.4 [1.000]	1.6 [.062]
9	14.2 [.5610]	16.0 [.631]	14.3 [.562]	38.1 [1.500]	2.7 [.105]
10	15.8 [.6235]	17.8 [.702]	15.9 [.624]	38.1 [1.500]	2.7 [.105]
12	19.0 [.7485]	21.4 [.843]	18.2 [.718]	50.8 [2.000]	2.7 [.105]
14	22.2 [.8735]	25.0 [.983]	21.4 [.843]	50.8 [2.000]	2.7 [.105]
16	25.4 [.9985]	28.5 [1.124]	24.6 [.968]	50.8 [2.000]	2.7 [.105]
24	38.0 [1.4970]	41.2 [1.623]	24.9 [.980]	63.5 [2.500]	3.2 [.125]

NOTES:
A. EXAMPLE OF PART NUMBER FOR PIN ASSEMBLY:

LA-6CR1000



SPRING	-	STAINLESS STEEL	PASSIVATED
BALL	-	STAINLESS STEEL	PASSIVATED
HANDLE	-	STAINLESS STEEL	PASSIVATED
SHANK	-	STAINLESS STEEL	PASSIVATED
PIN ASSEMBLY	LA-(-)CR(-)	-	-
ITEM	PART NUMBER	MATERIAL	FINISH

THIRD ANGLE PROJECTION	MILLIMETERS [IN]		 CONNECT • CREATE • INNOVATE	
TOLERANCES UNLESS OTHERWISE NOTED		PIN ASSEMBLY - "R" HANDLE LOCKWELL DETENT		
ALL DIMENSIONS WITHOUT TOLERANCES ARE FOR REFERENCE ONLY.		SIZE	SYSTEM	DWG NO.
PER ASME Y14.5M-1994		A3	NX	J-LA-3THRU16-CR
<small>PROPRIETARY ITEM EXCEPT FOR USES EXPRESSLY GRANTED IN WRITING, INFORMATION DISCLOSED HEREON IS CONFIDENTIAL AND ALL RIGHTS, PATENT AND OTHERWISE, ARE RESERVED BY SOUTHCO, INC.</small>		DRAWN BY	DATE	SCALE
		DMS/YGC	08 NOV 2011	2:1
				SHEET 1 OF 1