

NOTES:

A. MATERIAL AND FINISH:

- PAWL, HANDLE, HOUSING - CF-8M STAINLESS STEEL (NOMINAL CAST EQUIVALENT OF 316 STAINLESS STEEL), POLISHED
- BRACKET, KEEPER SPRINGS, SCREW - 304 STAINLESS STEEL, POLISHED
- PIN, LOCKING LEVER SPLINE LOCKPLUG - 304 STAINLESS STEEL, PASSIVATED
- SPACER KEY - NYLON, BLACK - BRASS, CHROME PLATED

B. STYLE AND FINISH:

- X = STYLE
- 4 = LOCKING
- 6 = NON-LOCKING
- Y = FINISH
- 8 = BRIGHT POLISH



PROPRIETARY ITEM - EXCEPT FOR USES EXPRESSLY GRANTED IN WRITING, INFORMATION DISCLOSED HEREIN IS CONFIDENTIAL AND ALL RIGHTS, PATENT AND OTHERWISE ARE RESERVED BY SOUTHCO, INC.

1-1/2" SLAM LATCH
STAINLESS STEEL

DATE	DRAWN	CHKD	SCALE	DRAWING NUMBER
18OCT2007	RLR	BPV	1:1	J-M1-15-61

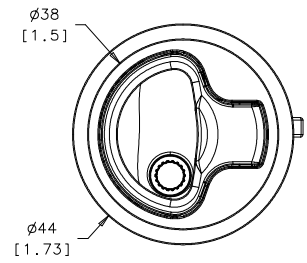
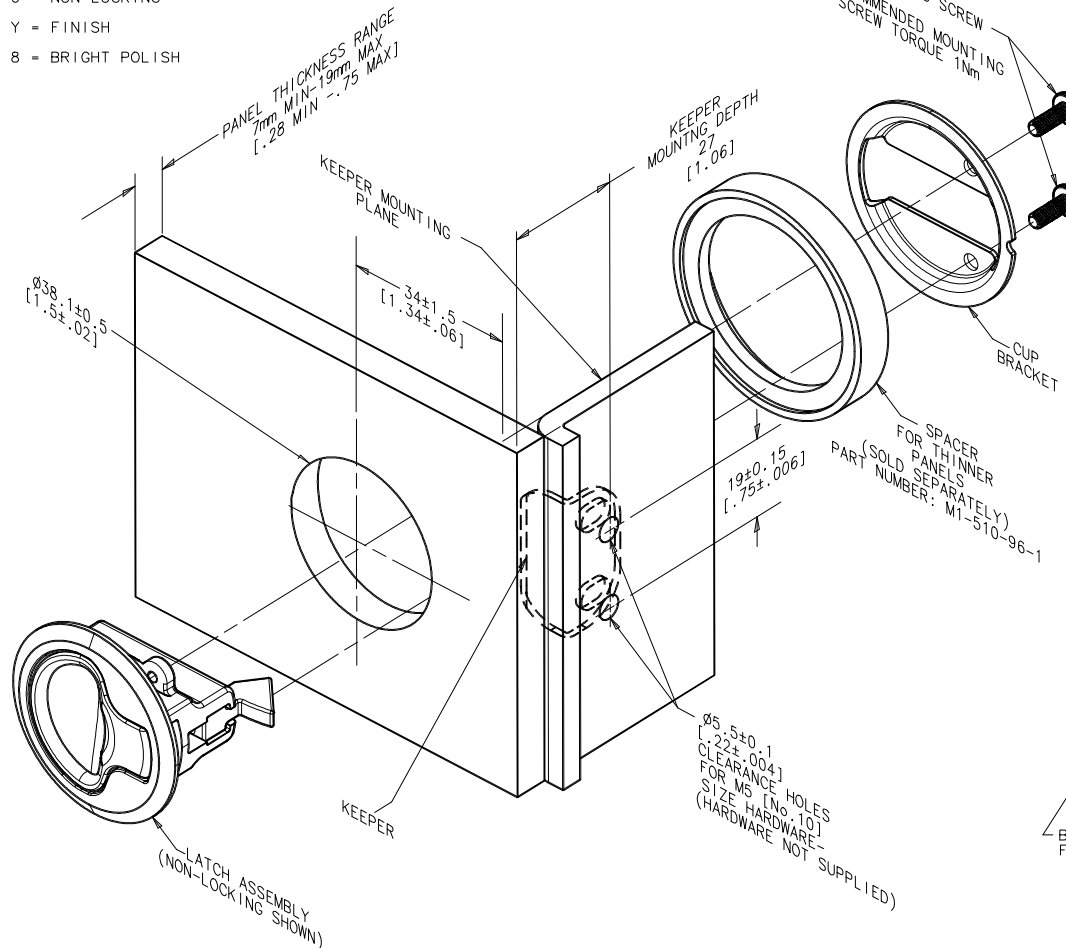
REV	DATE	DRAWN/CHKD	DESCRIPTION
A	21OCT2014	CMS/MWD	PRN: P2014-2126

MILLIMETERS [IN]

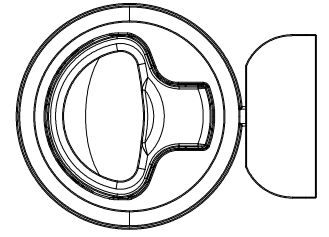
ALL DIMENSIONS WITHOUT TOLERANCES ARE FOR REFERENCE ONLY.

THIRD ANGLE PROJECTION

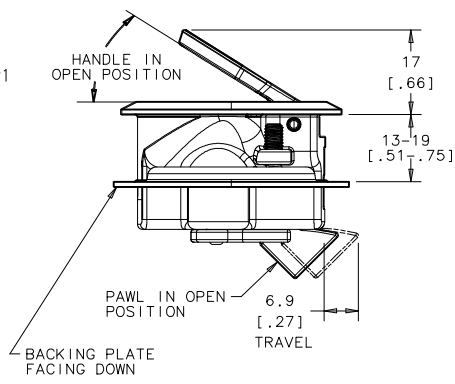
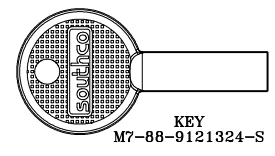
A3 PAPER SIZE



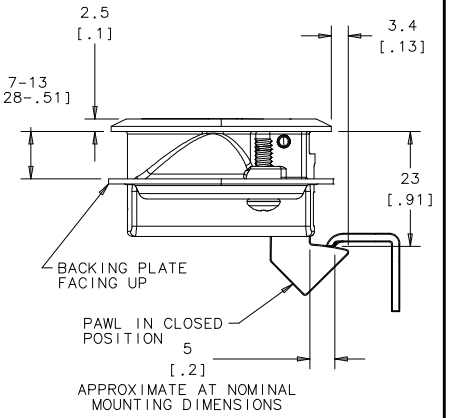
KEY LOCKING VERSION
PART NUMBER: M1-15-41-Y



NON-LOCKING VERSION
PART NUMBER: M1-15-61-Y



LOCKING VERSION
SHOWN



NON-LOCKING VERSION
SHOWN