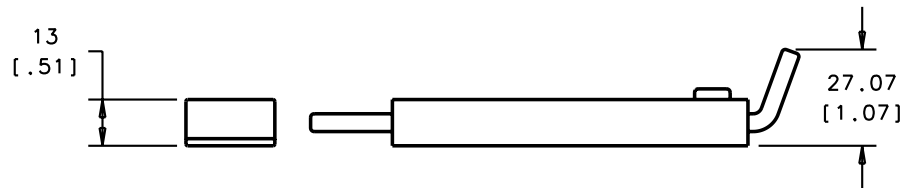
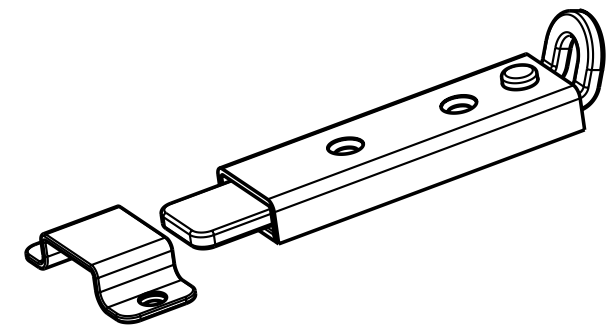
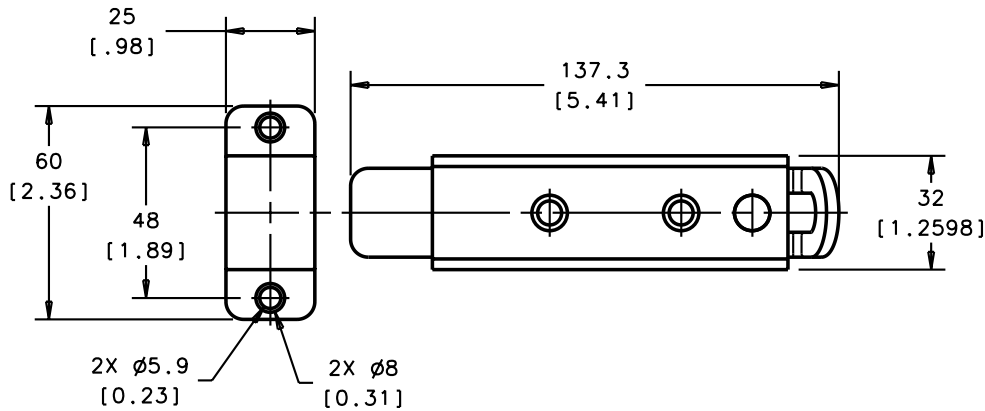


PROPRIETARY ITEM
EXCEPT FOR USES EXPRESSLY GRANTED
IN WRITING, INFORMATION DISCLOSED
HEREON IS CONFIDENTIAL AND ALL
RIGHTS, PATENT AND OTHERWISE,
ARE RESERVED BY SOUTHCO, INC.

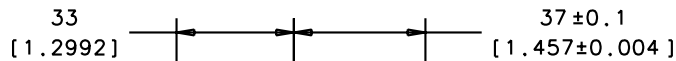
REVISION HISTORY

REV	DATE	DRAWN	CHECKED	DESCRIPTION
A	09APR2008	RLR	RLR	PRN: P2008-0372
B	08DEC2008	RLR	RLR	PRN: P2008-1311



NOTES:

- A. MATERIAL AND FINISH:
DEADBOLT - CF-8M STAINLESS STEEL (NOMINAL CAST EQUIVALENT 316 STAINLESS STEEL), POLISHED.
- BASE PLATE - CF-8M STAINLESS STEEL (NOMINAL CAST EQUIVALENT 316 STAINLESS STEEL), PASSIVATED.
- BUTTON, STANDARD STRIKE AND HOUSING - 304 STAINLESS STEEL, POLISHED.
- SPRING - 304 STAINLESS STEEL, PASSIVATED.
- SPACER - PA66, BLACK.



2 x $\phi 6.35^{+0.2}_{-0}$
[0.25^{+0.008}₋₀]

PANEL PREPARATION

ASSEMBLY	M5-60-206-8	SEE NOTE A	SEE NOTE A	
ITEM	PART NUMBER	MATERIAL	FINISH	
THIRD ANGLE PROJECTION				
ALL DIMENSIONS WITHOUT TOLERANCES ARE FOR REFERENCE ONLY				
MILLIMETERS [IN]		southco [®] CONNECT · CREATE · INNOVATE		
		TITLE HEAVY DUTY SLIDE BOLT LATCH WITH STANDARD STRIKE		
SIZE	SYSTEM	DWG NO		
A4	I-DEAS	J-M5-60-206		
DRWN/CHKD	DATE	SCALE	SHEET	
VWA/VGV	31MAR2008	1:2	1 OF 1	